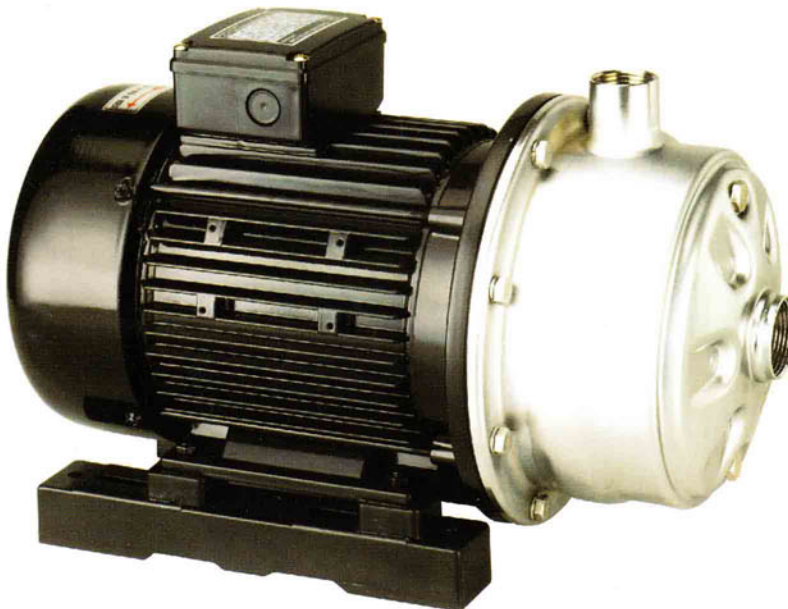


**DSE**

# Double Stage Stainless Steel Pump



Stainless Steel Impeller



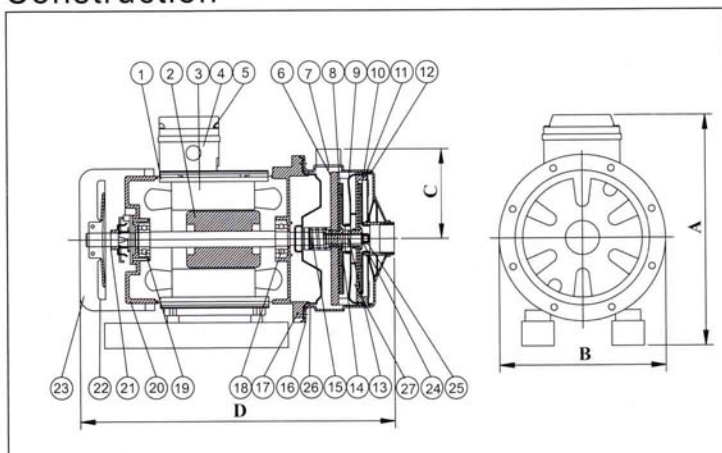
## Parts list

No.	Description	Material	Q'ty
1	Motor Housing	Aluminum	1
2	Rotor & shaft	SUS 410	1
3	Stator		
4	Terminal Box (lower)	ABS	1
5	Terminal Box (upper)	ABS	1
6	Support Ring	SUS 304	1
7	Pump Head	SUS 304	1
8	Impeller	SUS 304	1
9	Diffuser Plat	SUS 304	1
10	Impeller	SUS 304	1
11	Diffuser	SUS 304	1
12	Support Plate	SUS 304	1
13	Sleeve 23*7L	SUS 304	1
14	Key 4-4*48L	SUS 304	1
15	Mechanical Seal	CE/CA	1
16	Mid Plate	SUS 304	1
17	Front Endshield	Aluminum	1
18	Bearing 6304z		1
19	Bearing 6204z		1
20	Endshield	FC-20	1
21	Centrifugal Switch		1
22	Fan	NYLON 66	1
23	Fan Cover	STEEL	1
24	Washer M10	SUS304	1
25	Nut M10	SUS 304	1
26	O-ring	NBR	1
27	O-ring	NBR	1

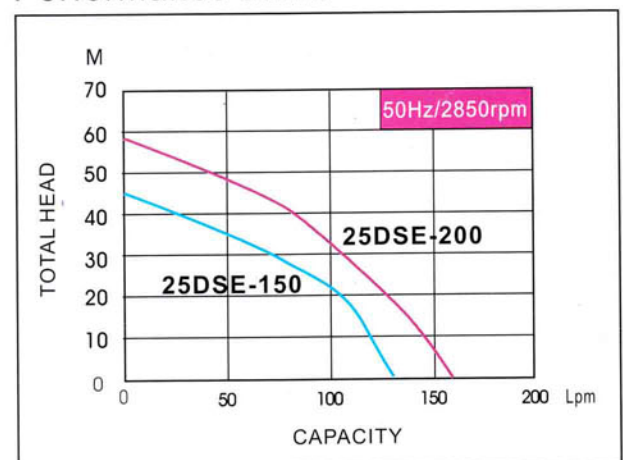
## Specifications

TYPE	POWER		DISCHARGE	SUCTION	VOLTAGE	MAXIMUM		DIMENSION (mm)				WEIGHT
	HP	KW	INCH	INCH		50Hz	Head(M)	Q(LPM)	A	B	C	D
250DSE-150	1-1/2	1.1	1	1 1/4"	1PH/220V~240V or 3PH/380V~415V	45	140	319	230	124	435	25
250DSE-200	2	1.5	1	1 1/4"		58	160	319	230	124	435	26.5

## Construction



## Performance curve





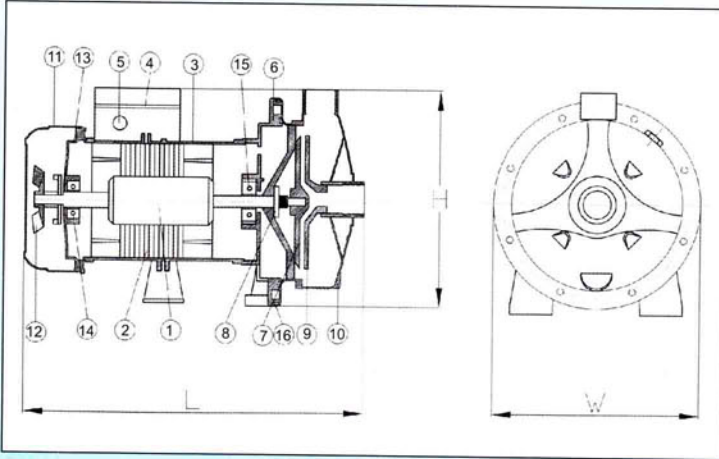


# Single Stage Stainless Steel Pump

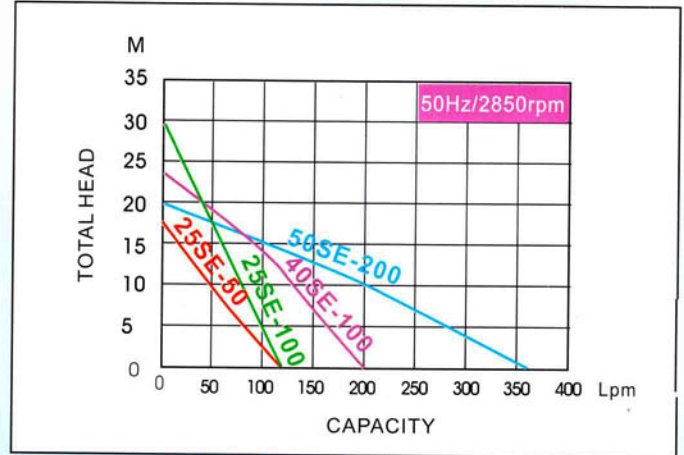


Stainless Steel Impeller

## Construction



## Performance curve



## Specifications

TYPE	POWER		DISCHARGE		VOLTAGE	MAXIMUM		DIMENSION (mm)			WEIGHT
	HP	KW	INCH	mm		Head(M)	Q(LPM)	H(mm)	L(mm)	W(mm)	KG
25SE-50	1/2	0.4	1"	25	1PH/220V-240V or 3PH/380V-415V	18	120	200	340	160	12
25SE-100	1	0.75	1"	25		30	120	230	356	214	13
40SE-100	1	0.75	1-1/2"	40		24	200	230	356	214	13.1
50SE-200	2	1.5	2"	50		20	360	308	373	194	20

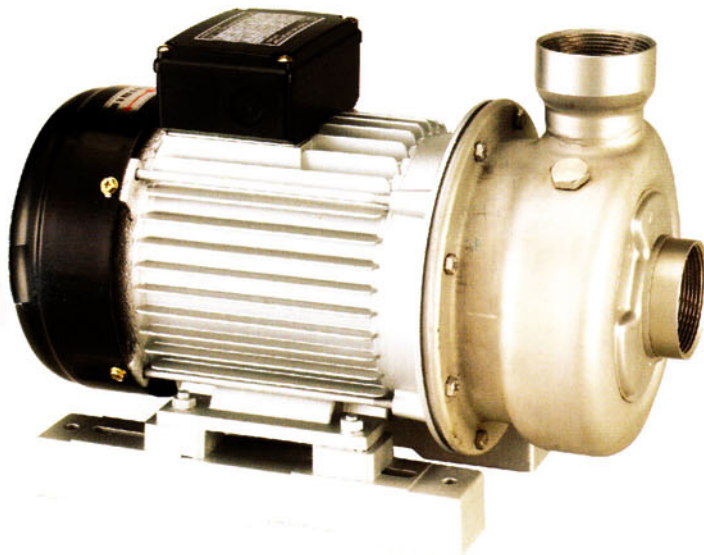
## Parts list

No.	Description	Material	O'ty
1	Rotor & shaft	SUS410	1
2	Stator		1
3	Stator Housing	Aluminum	1
4	Terminal Box (upper)	ABS	1
5	Terminal Box (lower)	ABS	1
6	Front Endshield	Aluminum	1
7	Mid Plate	SUS 304	1
8	Mechanical Seal	CE/CA	1
9	Impeller	SUS 304	1
10	Pump Housing	SUS 304	1
11	Fan Cover	Steel	1
12	Fan	Nylon 66	1
13	Endshield	FC-00	1
14	Bearing		1
15	Bearing		1
16	O-Ring	NBR	1



★ Inverter Booster System available on Request





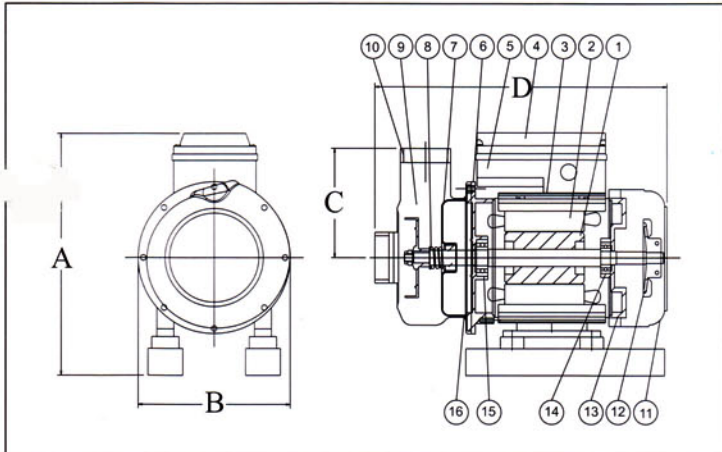
# Sea Water

## Open Impeller Stainless steel pump (For Sea Water Use)

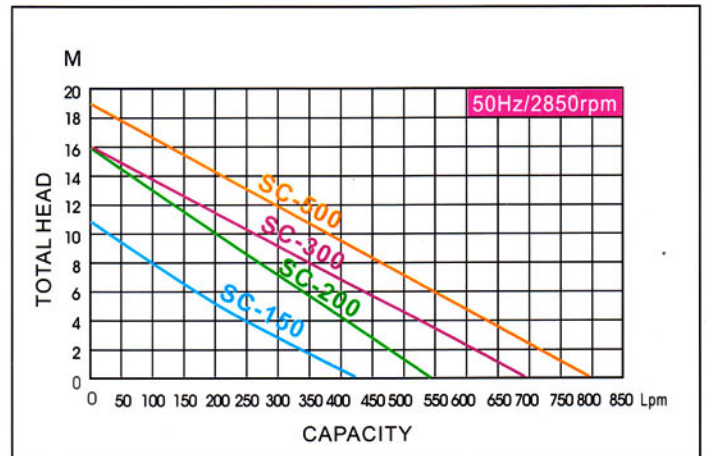


Stainless Staloper Impeller

### Construction



### Performance curve



### Parts list

No.	Description	Material	O'ty
1	Rotor & shaft	SUS304	1
2	Stator		1
3	Stator Housing	Aluminum	1
4	Terminal Box (upper)	ABS	1
5	Terminal Box (lower)	ABS	1
6	Front Endshield	Aluminum	1
7	Mid Plate	SUS 304	1
8	Mechanical Seal	SIC/SIC	1
9	Impeller	SUS 304	1
10	Pump Housing	SUS 304	1
11	Fan Cover	Steel	1
12	Fan	Nylon 66	1
13	Endshield	FC-00	1
14	Bearing		1
15	Bearing		1
16	O-Ring	VITON	1

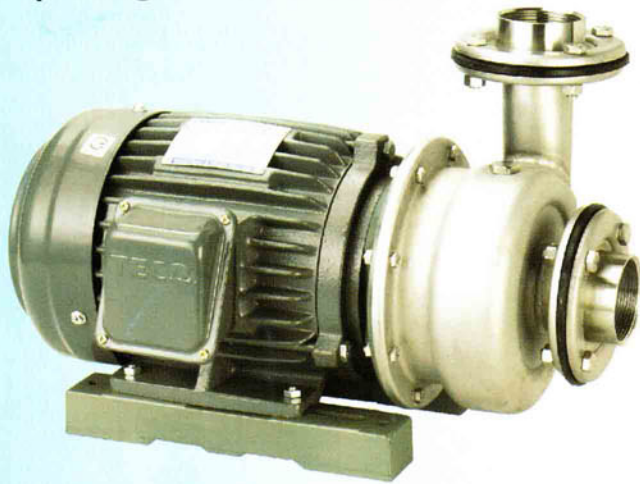
### Specifications

TYPE	POWER		DISCHARGE		VOLTAGE	MAXIMUM		DIMENSION (mm)				WEIGHT
	HP	KW	INCH	mm	50Hz	Head(M)	Q(LPM)	A	B	C	D	KG
SC-150	1.5	1.1	2	50	1PH/220V~240V or 3PH/380V~415V	11	430	268	194	138	373	13.5
SC-200	2	1.5	2	50		16	550	268	194	138	373	15.5
SC-300	3	2.2	3	80		16	700	275	218	146	485	24.5
SC-500	5	3.7	3	80		19	800	284	218	146	510	45





# Stainless steel Centrifugal Pump (Large Volume)

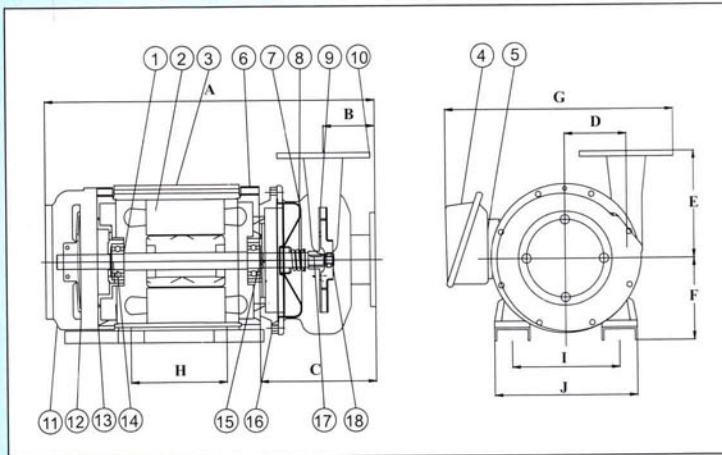


Stainless steel Impeller

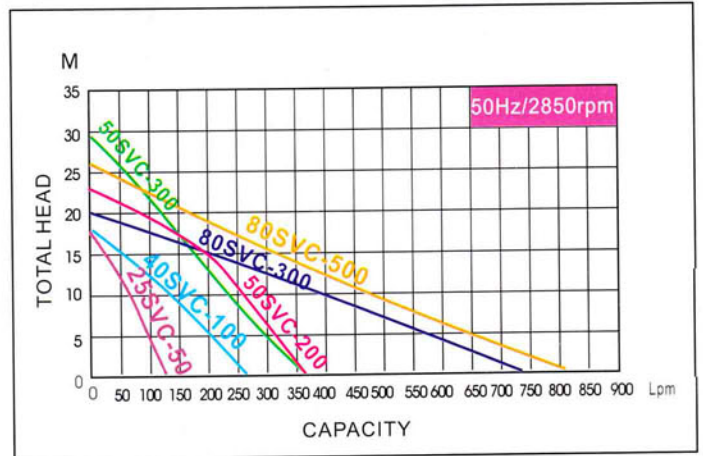
## Parts list

No.	Description	Material	Q'ty
1	Rotor & shaft	SUS 410	1
2	Stator		1
3	Stator Housing	FC-20	1
4	Terminal Box (upper)	Steel	1
5	Terminal Box (lower)	Steel	1
6	Front Endshield	FC-20	1
7	Mid Plate	SUS 304	1
8	Mechanical Seal	CE/CA	1
9	Impeller	SUS 304	1
10	Pump Housing	SUS 304	1
11	Fan Cover	Steel	1
12	Fan	Nylon 66	1
13	Endshield	FC-20	1
14	Bearing		1
15	Bearing		1
16	Connect Plate	FC-20	1
17	Key 4*4*15L	SUS 410	1
18	Nut M10*1.5	SUS 410	1

## Construction



## Performance curve



## Specifications

TYPE	POWER		DISCHARGE		VOLTAGE	MAXIMUM		DIMENSION (mm)										WEIGHT KG
	HP	KW	INCH	mm		50Hz	Head(M)	Q(LPM)	A	B	C	D	E	F	G	H	I	
25SVC-50	1/2	0.4	1	25	1PH/220V~240V or 3PH/380V~415V	18	130	344	60	128	66	106	87	270	90	112	142	15
40SVC-100	1	0.75	1-1/2	40		18	270	368	53	121	78	122	96	278	100	140	186	18
50SVC-200	2	1.5	2	50		23	360	418	61	138	85	140	107	298	125	140	186	30
50SVC-300	3	2.2	2	50		30	360	418	61	138	85	140	107	298	125	140	186	35
80SVC-300	3	2.2	3	80		20	750	418	61	138	85	140	107	298	125	140	186	40
80SVC-500	5	3.7	3	80		26	820	508	89	181	91	154	138	349	147	190	222	51



**APEG PUMP ENTERPRISE CORP.**

3F., No.394, Sec. 2, Mingzhi Rd., Taishan Shiang,  
Taipei County 243, Taiwan (R.O.C.)  
Tel: 886-2-2903-4567  
Fax: 886-2-2906-4567  
E-mail: sales@apecpump.com