



**EBARA**

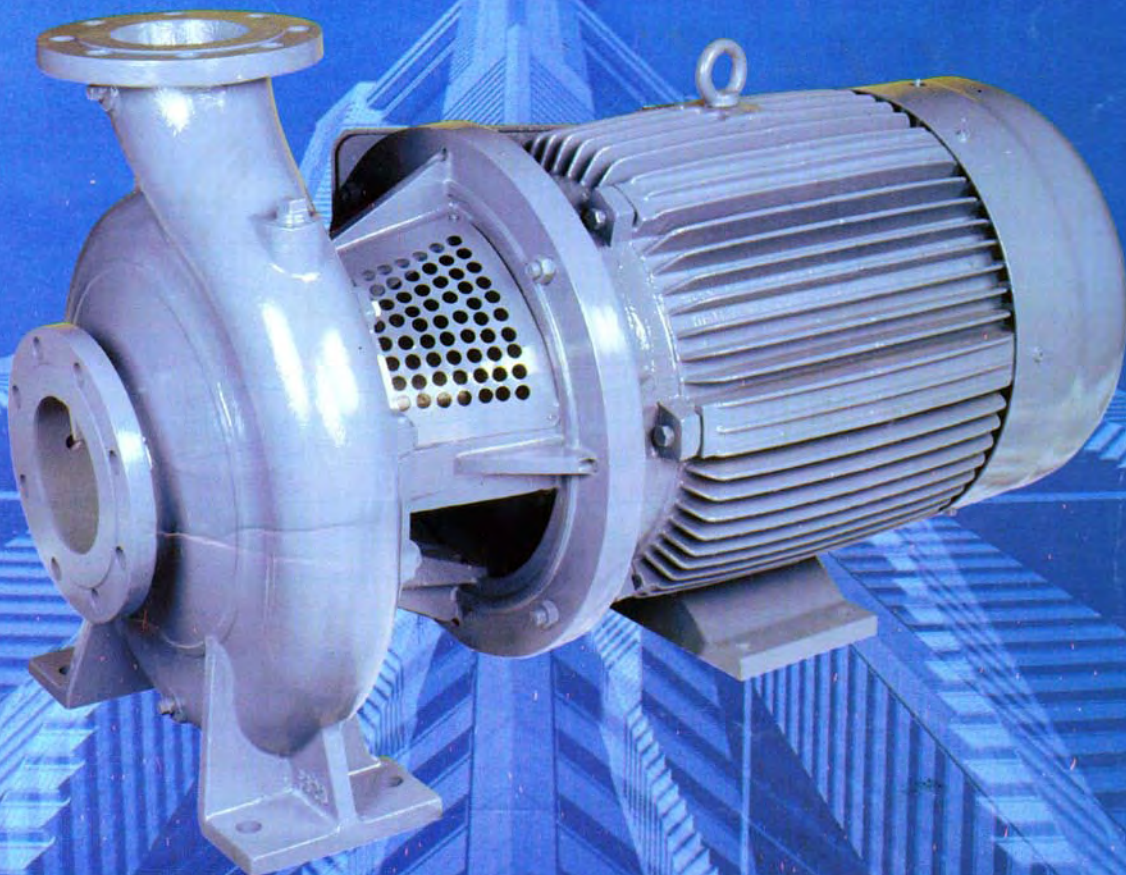


FSD8001-5

# MONOBLOCK END SUCTION PUMP

Model **FSDA**

**50Hz**



# MONOBLOCK END SUCTION PUMP

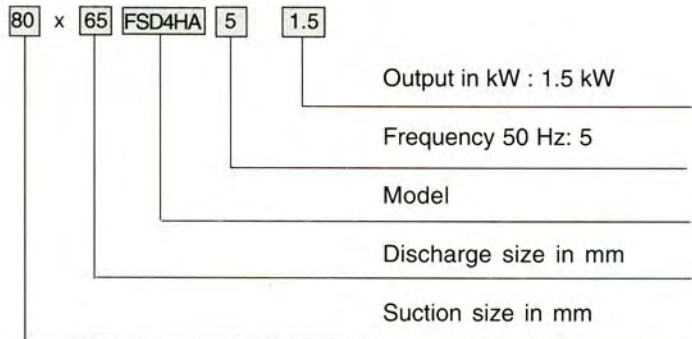
## FEATURES

1. Easy maintenance BPO (Back Pull Out) feature allows all rotating element to be removed without disconnecting the suction and discharge pipework.
2. Top centerline discharge, foot support under casing for maximum resistance to misalignment and distortion from pipe loads.
3. Higher operating efficiency over a wider range of capacities, lowers operational cost.

## APPLICATIONS

1. Water supply.
2. Hot and cold water circulation.
3. For cooling tower.
4. Fire-fighting application.
5. Irrigation.
6. Industrial use.
7. Drainage.

## MODEL CODE

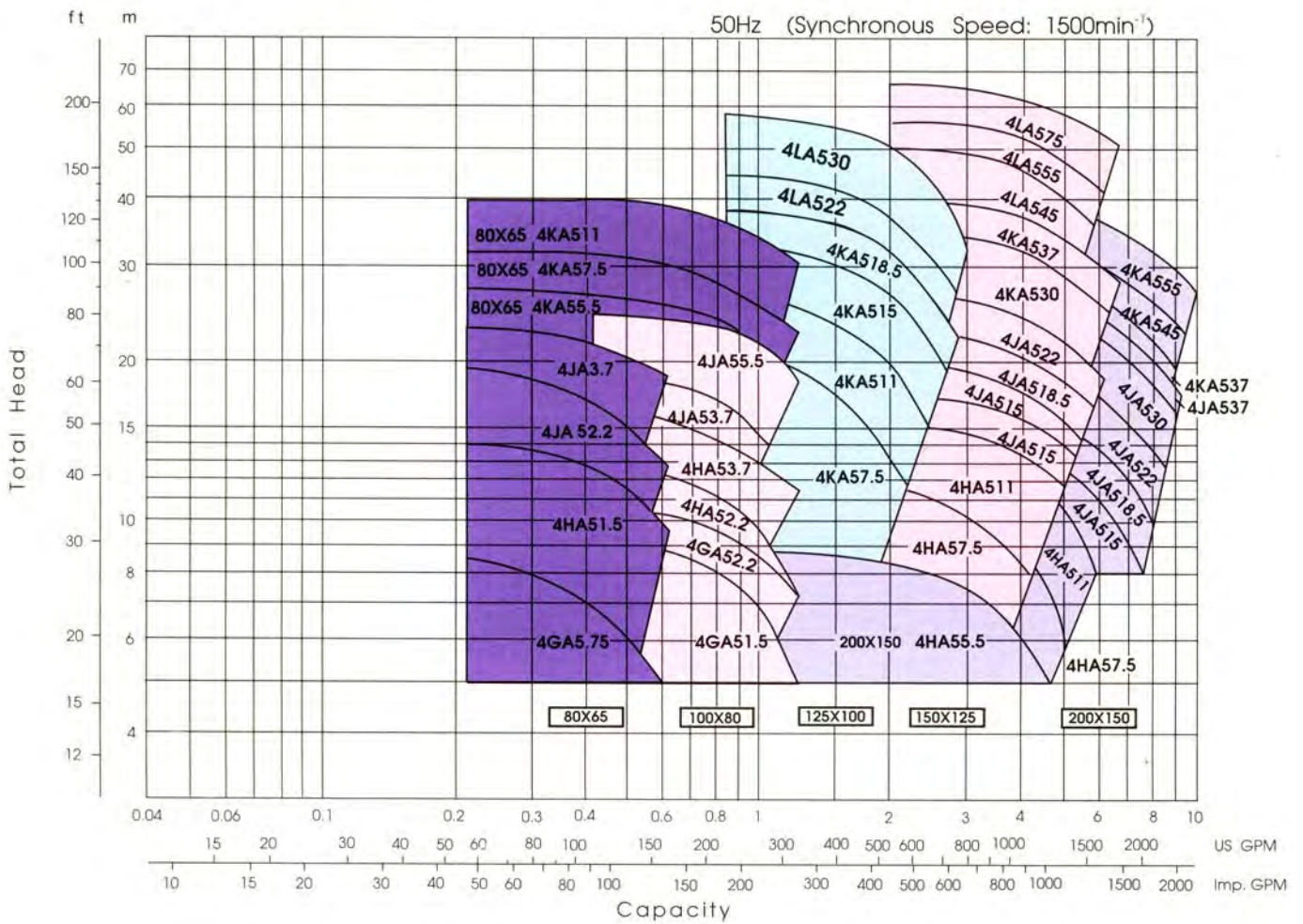


## SPECIFICATION

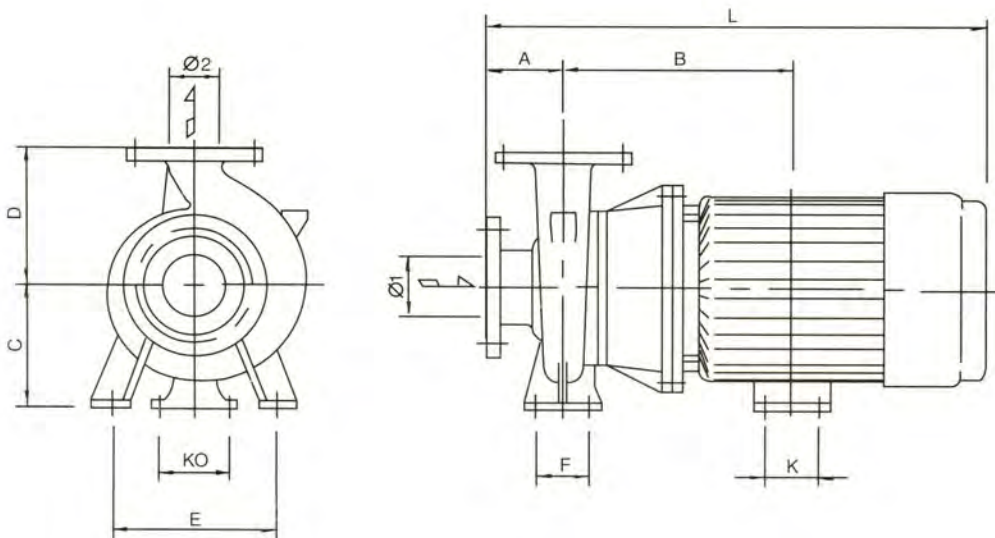
Description		Standard
Model		FSDA
No. of Pole		4
Liquid Handled	Type of liquid	Clean Water
	Temperature	0°C - 100°C (32-212°F)
Max. Positive Suction Pressure (Kgf/cm <sup>2</sup> ) for M. seal		All except FSLA : 8.2 - (Shutoff pressure) FSLA : 10.2 -(Shutoff pressure)
Max. Working Pressure		10.2 Kgf/cm <sup>2</sup> (10 bar)
Available Suction Lift		Suction <= 125 : 6m 125x100 : 4m
Synchronous speed		1450 min <sup>-1</sup>
Location		Indoor, Optional : Outdoor
Construction	Shaft seal	Mechanical Seal
	Pump Shaft	Stab Shaft
Material	Casing	Cast Iron
	Bracket	Cast Iron
	Impeller	Bronze
	Shaft	316 Stainless Steel
	M. Seal	Ceramic vs carbon
Flange	Suction	JIS 10 KRF
	Discharge	JIS 10 KRF
<b>Motor</b>		
Type		IEC Standard Flange Type
No. of Pole		4
Synchronous speed		1450 min <sup>-1</sup>
Insulation Class		F
Protection		IP 54. Optional : IP 55
Voltage / Phase / Hz		380 V / 3 phase / 50 Hz
Material	Frame	Cast Iron

NOTE : For optional is available upon request

## ■ PERFORMANCE



## ■ DIMENSION



Size		MODEL	Output kW	A	B	C	D	E	F	K	KO	L	T. weight kg		
Ø1	Ø2														
80	65	80X65 FSD4GA5.75	0.75	100	256	160	180	212	70	100	125	477	78		
		80X65 FSD4HA51.5	1.5		296		200					556.5	95		
		80X65 FSD4JA52.2	2.2		313.5	180	225	250	95			570.5	114		
		80X65 FSD4JA53.7	3.7	341.5	627					125					
		80X65 FSD4KA55.5	5.5	125	373	225	280	315	120	150	190	685	225		
		80X65 FSD4KA57.5	7.5		392							723	239		
		80X65 FSD4KA511	11		460							834	280		
100	80	100X80 FSD4GA51.5	1.5	100	296	160	200	212	95	100	125	556.5	94		
		100X80 FSD4GA52.2	2.2		322.5							579.5	102		
		100X80 FSD4HA52.2	2.2		313.5	180	225	250				570.5	115		
		100X80 FSD4HA53.7	3.7	341.5	627				126						
		100X80 FSD4JA53.7	3.7		200	250	280	120	150	190	627	134			
		100X80 FSD4JA55.5	5.5	373							660	171			
125	100	125X100 FSD4KA57.5	7.5	140	392	250	315	315	120	150	190	738	258		
		125X100 FSD4KA511	11		460							849	303		
		125X100 FSD4KA515	15		482	200	254	893		345					
		125X100 FSD4KA518.5	18.5	357	778			369							
		125X100 FSD4LA522	22	560	280	355	400	150	250	279	1000	473			
		125X100 FSD4LA530	30								590	1060	557		
150	125	150X125 FSD4HA57.5	7.5	140	392	250	315	315	120	150	190	738	250.5		
		150X125 FSD4HA511	11		475							864	282		
		150X125 FSD4HA515	15		497	200	254			908	330				
		150X125 FSD4JA515	15	497	908			337.5							
		150X125 FSD4JA518.5	18.5	507	250	279	315	400	150	300	318	928	359.5		
		150X125 FSD4JA522	22	526								966	394		
		150X125 FSD4KA530	30	590	280	355	400	400	150	300	318	1060	559.5		
		150X125 FSD4KA537	37	633								1111	594		
		150X125 FSD4LA545	45	645.5	315	400	400	400	150	300	318	1136	661		
		150X125 FSD4LA555	55	666.5								1177.5	822		
		150X125 FSD4LA575	75	685.5	1215.5	876									
		200	150	200X150 FSD4HA55.5	5.5	160	373	280	355	400	150	150	190	720	277
				200X150 FSD4HA57.5	7.5		392							758	288
200X150 FSD4HA511	11			475	200		254	884	329						
200X150 FSD4JA515	15			531		962		422							
200X150 FSD4JA518.5	18.5			541	250	279	315	400	450	300	318	982	463		
200X150 FSD4JA522	22			560								1020	493		
200X150 FSD4JA530	30			590	250	279	315	400	450	300	318	1080	577		
200X150 FSD4JA537	37			633								1131	607		
200X150 FSD4KA537	37			674	315	400	450	450	150	300	318	1172	645.5		
200X150 FSD4KA545	45			686.5								1197	693		
200X150 FSD4KA555	55			707.5	1238.5	816									

All specifications subject to change without prior notice.



**PT. LUKES INDONESIA**  
 Lindeteves Trade Center Lt UG, Blok B1 No. 6  
 Jalan Hayam Wuruk, Jakarta - Indonesia  
 Phone : 021 - 6231 7842, 628 5144  
 Fax : 021 - 6231 0499  
 email : lukes@cbn.net.id

