

# 4" SUBMERSIBLE BORE HOLE PUMP MODEL : 4 BHS

**PT. LUKES INDONESIA**

Lindeteves Trade Center Lt UG, Blok B1 No. 6  
Jalan Hayam Wuruk, Jakarta - Indonesia  
Phone : 021 - 6231 7842, 628 5144  
Fax : 021 - 6231 0499  
email : lukes@cbn.net.id



# STAINLESS STEEL 4" BOREHOLE PUMP

## ■ FEATURES

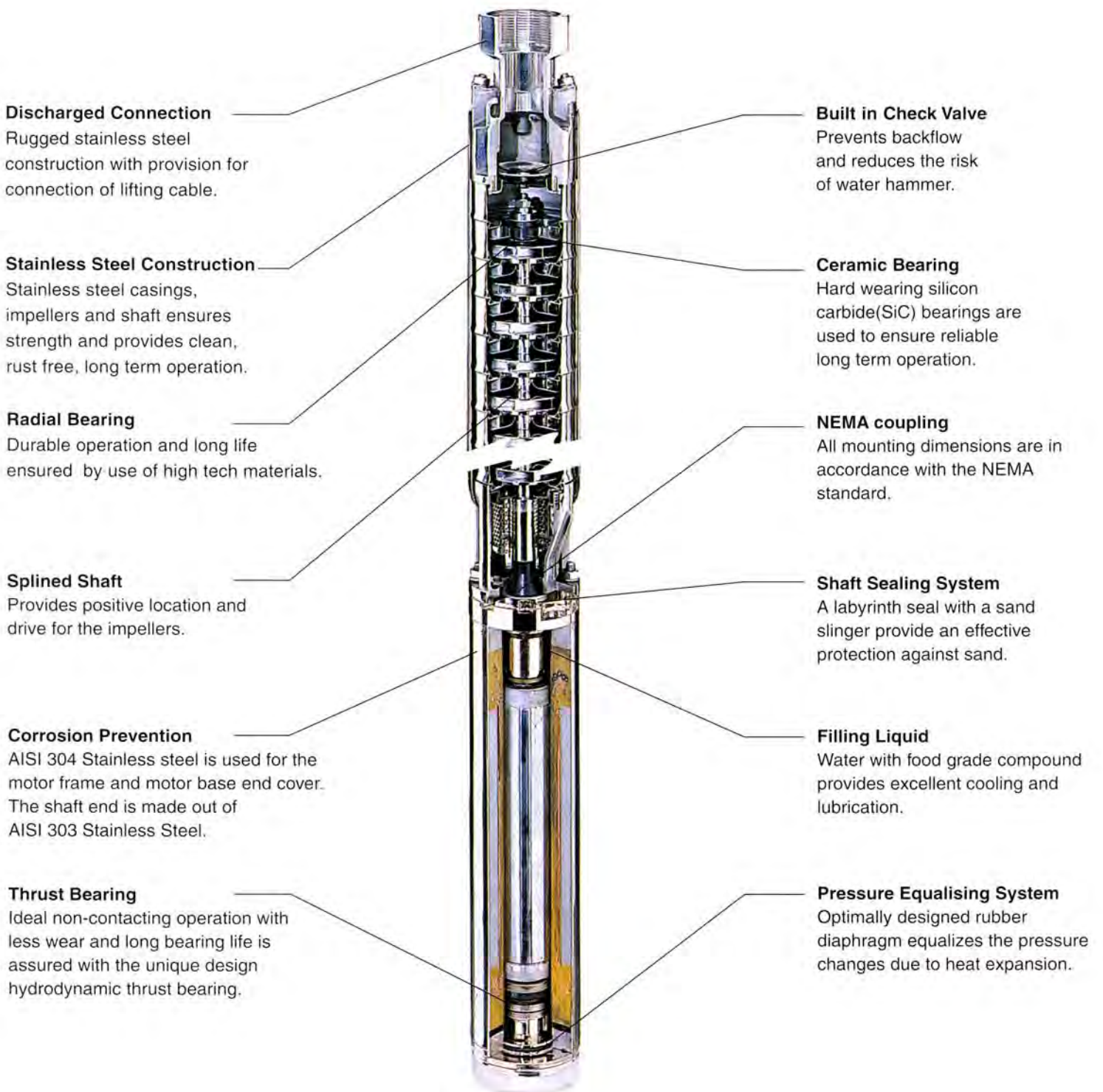
### - Pump

The extensive use of stainless steel in the construction, together with extremely hard wearing ceramic bearings, results in a highly durable rust free pump that is -

- ① Highly efficient with the use of smooth stainless steel. Less power required.
- ② Compact and lightweight due to the use of a sectional type casing.
- ③ Easy maintenance and inspections due to a simple structure.
- ④ Good resistance to sand and grit due to a small number of sliding parts.

### - Motor

- 1 Using advanced design and manufacturing technologies, this canned type motor assures reliable, durable and efficient operation.
- 2 Designed to operate with significant fluctuations to power supply voltage as often encountered in rural areas.

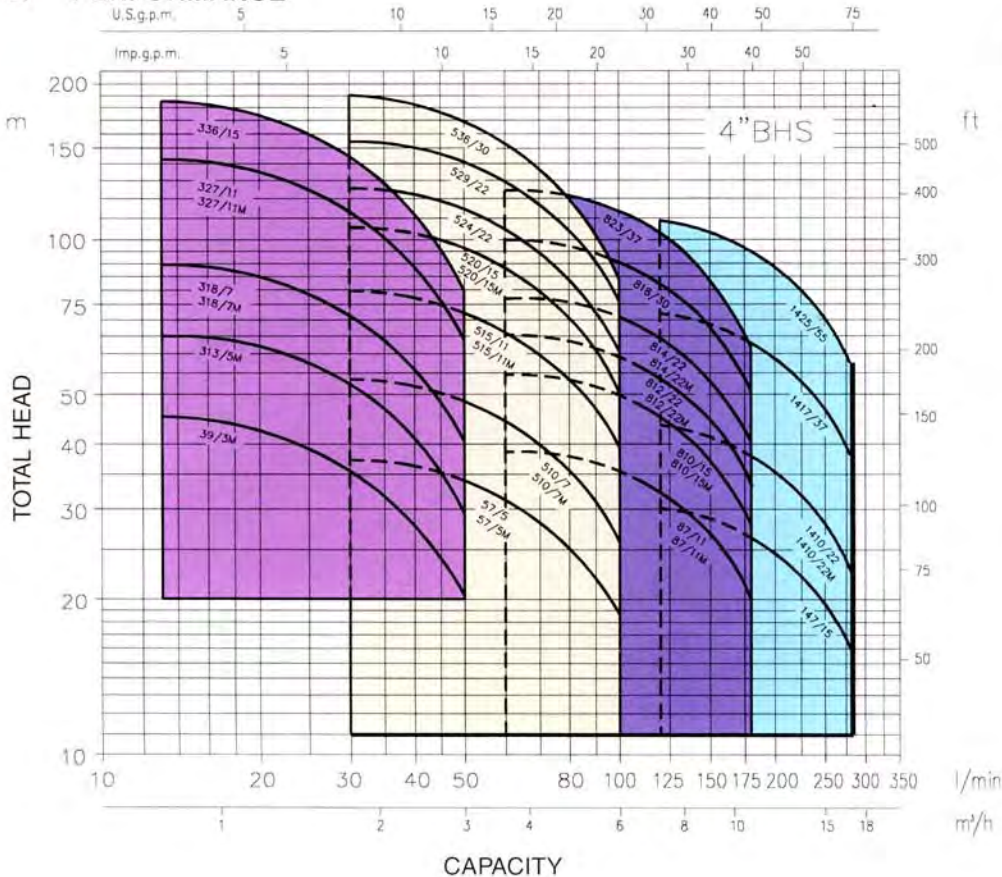


## SPECIFICATION

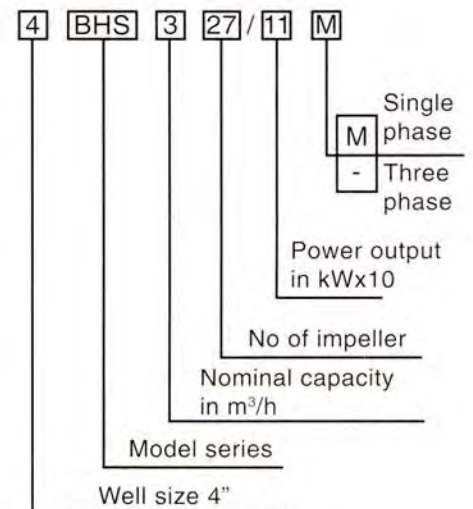
PUMP			
Liquid Handled	Type of liquid	Clean water	
	Temperature	Maximum 30 degrees centigrade	
	Max solids size	Maximum sand content : 50 parts per million Maximum chlorine ion density : 500 parts per million	
Maximum immersion	100 m		
Construction	Impeller	Closed centrifugal type (multi-stages)	
	Bearing	Sleeve type SiC rubber mold (Silicon carbide)	
Pipe Connection	Discharge-Flange	Rp 1/4, Rp 1/2, Rp 2 (see *)	
Material	Impeller	304 Stainless Steel	
	Shaft	316 Stainless Steel	
	Bracket	304 Stainless Steel	
MOTOR			
Type	Submersible water filled type		
No. of Poles/Speed (Synchronous)	Single Phase	2 Pole /3000 r.p.m.	
	Three Phase	2 pole /3000 r.p.m.	
Insulation Class	Class F		
IP Rating	IP 58		
kW/HP Rating	0.37/0.5 ~ 2.2/3.0	0.75/1.0~5.5/7.5	
Frequency - Hz	50 Hz		
Voltage	1 phase 220V + 10% to - 20%	3 phase 380V + 10% to - 20%	
Capacitor (Single Phase)	Fitted in starter box	Not applicable	
Overload protection	Fitted in starter box	User to provide	
Sealing liquid	Propylene glycol 50% water solution		
Casing material	304 Stainless Steel		
Power cable length	Single Phase	1.75 m (0.37 to 1.5 kW) ; 2.5 m (2.2 kW)	
	Three Phase	1.75 m (0.75 to 2.2 kW) ; 2.5 m (3 kW and above)	
Power cable material/size	Single Phase	EPDM/Cross Sealed Polyethylene	4 x 1.5 mm <sup>2</sup> ( up to 1.5 kW )
		EPDM/Cross Sealed Polyethylene	4 x 2 mm <sup>2</sup> ( 2.2 kW )
	Three Phase	EPDM/Cross Sealed Polyethylene	4 x 1.5 mm <sup>2</sup> ( up to 2.2 kW )
		EPDM/Cross Sealed Polyethylene	4 x 2 mm <sup>2</sup> ( 3 kW and above )
Type of cable entry	Plug Type		
ACCESSORIES (standard)			
1. Lifting lug on the pump discharge casing.			
2. Cable extension kit.			
3. Starting panel for single phase pump which is double capacitor type (capacitor start and capacitor run) with thermal protector.			

\* Rp - equivalent to BSP(PS) Standard

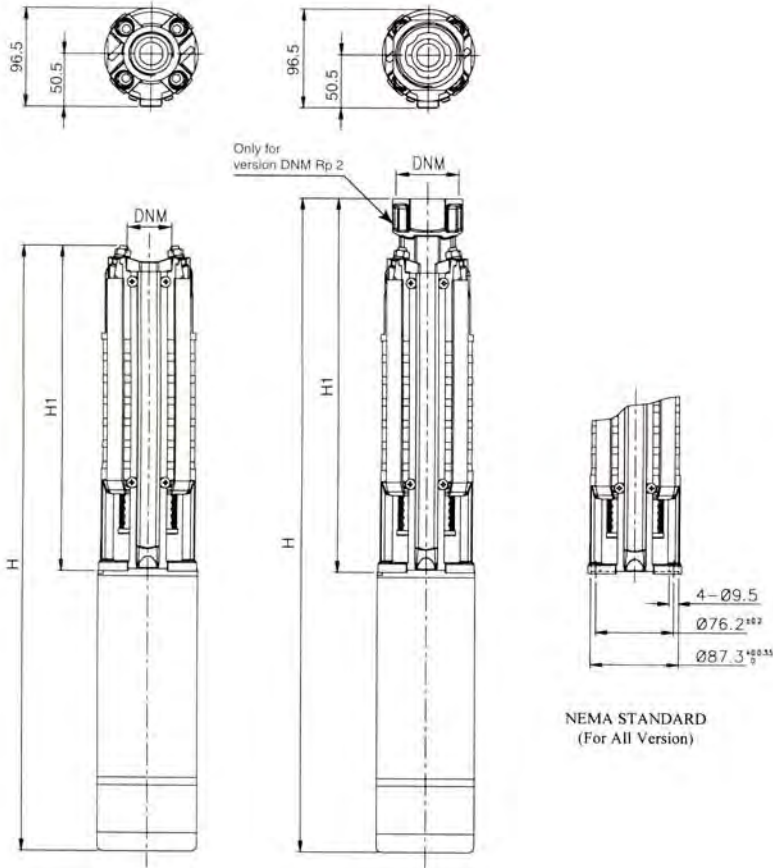
## PERFORMANCE



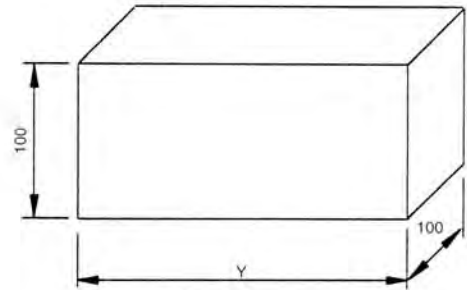
## MODEL CODE



## DIMENSION



## PACKING DIMENSION



NEMA STANDARD  
(For All Version)

Single Phase Models								Three Phase Models							
Model	Power		Dimension			Packing		Model	Power		Dimension			Packing	
	kW	HP	*DNM	H	H1	Y	Kg		kW	HP	*DNM	H	H1	Y	Kg
4BHS 39/3M	0.37	0.5	Rp1 <sup>1</sup> / <sub>4</sub>	670	396.5	950	12.7	-	-	-	-	-	-	-	-
4BHS 313/5M	0.55	0.75	Rp1 <sup>1</sup> / <sub>4</sub>	774	480.5	950	15	-	-	-	-	-	-	-	-
4BHS 318/7M	0.75	1	Rp1 <sup>1</sup> / <sub>4</sub>	930	606.5	1170	18.5	4BHS 318/7	0.75	1	RP1 <sup>1</sup> / <sub>4</sub>	900	606.5	1170	17
4BHS 327/11M	1.1	1.5	Rp1 <sup>1</sup> / <sub>4</sub>	1153	795.5	1340	23.5	4BHS 327/11	1.1	1.5	RP1 <sup>1</sup> / <sub>4</sub>	1119	795.5	1340	21
-	-	-	-	-	-	-	-	4BHS 336/15	1.5	2	RP1 <sup>1</sup> / <sub>4</sub>	1363	1005.5	1580	15.5
4BHS 57/5M	0.55	0.75	Rp1 <sup>1</sup> / <sub>2</sub>	648	354.5	820	13	4BHS 57/5	0.55	0.75	RP1 <sup>1</sup> / <sub>2</sub>	628	354.5	820	12.5
4BHS 510/7M	0.75	1	Rp1 <sup>1</sup> / <sub>2</sub>	741	417.5	950	15.5	4BHS 510/7	0.75	1	RP1 <sup>1</sup> / <sub>2</sub>	711	417.5	950	13.5
4BHS 515/11M	1.1	1.5	Rp1 <sup>1</sup> / <sub>2</sub>	880	522.5	1170	19	4BHS 515/11	1.1	1.5	RP1 <sup>1</sup> / <sub>2</sub>	846	522.5	1170	17
4BHS 520/15M	1.5	2	Rp1 <sup>1</sup> / <sub>2</sub>	1057	648.5	1340	22.5	4BHS 520/15	1.5	2	RP1 <sup>1</sup> / <sub>2</sub>	1006	648.5	1170	20
-	-	-	-	-	-	-	-	4BHS 524/22	2.2	3	RP1 <sup>1</sup> / <sub>2</sub>	1141	732.5	1340	24
-	-	-	-	-	-	-	-	4BHS 529/22	2.2	3	RP1 <sup>1</sup> / <sub>2</sub>	1267	858.5	1580	26
-	-	-	-	-	-	-	-	4BHS 536/30	3	4	RP1 <sup>1</sup> / <sub>2</sub>	1518.5	1005.5	1810	32
4BHS 87/11M	1.1	1.5	Rp2	844	486.5	1170	17.5	4BHS 87/11	1.1	1.5	RP2	810	486.5	1170	15
4BHS 810/15M	1.5	2	Rp2	989.5	581	1170	20.5	4BHS 810/15	1.5	2	RP2	938.5	581	1170	18
4BHS 812/22M	2.2	3	Rp2	1159	675.5	1340	24	4BHS 812/22	2.2	3	RP2	1084	675.5	1340	21.5
4BHS 814/22M	2.2	3	Rp2	1222	738.5	1580	25	4BHS 814/22	2.2	3	RP2	1147	738.5	1340	22.5
-	-	-	-	-	-	-	-	4BHS 818/30	3	4	RP2	1377.5	864.5	1580	28
-	-	-	-	-	-	-	-	4BHS 823/37	3.7	5	RP2	1606.5	1053.5	1810	34
-	-	-	-	-	-	-	-	4BHS 147/15	1.5	2	RP2	928	570.5	1170	17.5
4BHS 1410/22M	2.2	3	Rp2	1222	738.5	1580	21.5	4BHS 1410/22	2.2	3	RP2	1147	738.5	1340	21.5
-	-	-	-	-	-	-	-	4BHS 1417/37	3.7	5.5	RP2	1627.5	1074.5	1810	33
-	-	-	-	-	-	-	-	4BHS 1425/55	5.5	7.5	RP2	2125.5	1452.5	2430	42.5

Dimension in mm unless otherwise stated.

\*Rp - equivalent to BSP(PS) Standard

All specifications subject to change without prior notice

**EBARA CORPORATION**



International Div., Tokyo Japan

Singapore Branch

Jakarta Office, Indonesia

Phone : 3289-6111 Fax : 3575-9891

Phone : 862-3536 Fax : 861-0589

Phone : 571-0213 Fax : 571-0214

**PT. LUKES INDONESIA**

Lindeteves Trade Center Lt UG, Blok B1 No. 6

Jalan Hayam Wuruk, Jakarta - Indonesia

Phone : 021 - 6231 7842, 628 5144

Fax : 021 - 6231 0499

email : lukes@cbrn.net.id

