



NIAGARA

**TYPE
GTR**
REG.NO.137730

POMPA AIR SELF PRIMING CENTRIFUGAL

SELF PRIMING CENTRIFUGAL PUMP :

- Sangat cocok untuk irigasi, pertambakan dan perkebunan.
- *Is a selected pump for irrigation, fishery & plantation.*

KEISTIMEWAAN / FEATURES :

- Kipas tertutup / Closed impeller
- Perawatan mudah / Easy maintenance
- Awet / Durable
- Konstruksi sederhana / Simple construction

BAHAN / MATERIAL :

- Rumah pompa / Casing :
- Besi tuang kelabu / Grey cast iron
- Kipas pompa / Impeller :
- Besi tuang kelabu / Grey cast iron (standard)
atau / or Kuningan / Bronze (pesanan khusus / special order)
- Poros pompa / Shaft :
- Baja / Steel (standard)
- Baja anti karat / Stainless steel (pesanan khusus / special order)
- Cairan / Liquid :
Berat jenis / Specific gravity : 1
- Suhu / Temperature :
Hingga / Up to : 40^o C
- Putaran / Revolution :

GTR 2, GTR 3 & GTR 4

Berlawanan arah jarum jam,
dilihat dari ujung poros
/ *Counterclockwise viewed from shaft end.*

GTR 6 & GTR 8

Searah jarum jam,
dilihat dari ujung poros.
/ *Clockwise viewed from shaft end*



TYPE	Diameter Hisap - Buang / Suction-Discharge (Inch)	Putaran / Revolution (rpm)	Tenaga yang dibutuhkan / Power (HP)	SPESIFIKASI - / SPECIFICATIONS					
				Kapasitas / Capacity (ℓ / min)	Total Head (M)	Kapasitas / Capacity (ℓ / min)	Total Head (M)	Kapasitas / Capacity (ℓ / min)	Total Head (M)
GTR 2	2" - 2"	2000	1,25	120	15,5	220	12,0	285	8,3
		2400	2,00	180	21,0	300	15,5	365	10,2
		2700	3,00	195	26,3	315	20,0	410	12,8
GTR 3	3" - 3"	1850	3,25	1280	18,0	635	14,3	880	8,8
		2200	5,25	425	23,4	760	18,8	1050	11,4
		2450	7,50	610	29,0	975	21,6	1190	14,0
GTR 4	4" - 4"	1850	6,25	655	20,7	1020	16,9	1415	9,0
		2100	8,50	785	23,8	1160	19,0	1510	11,6
		2300	11,50	850	29,0	1240	23,4	1600	14,0
GTR 6	6" - 6"	1450	9,50	1340	16,0	2250	12,2	3130	6,4
		1750	15,50	1475	22,5	2665	16,7	3595	9,0
		1950	21,50	1690	27,6	2835	20,7	3915	11,2
GTR 8	8" - 8"	1450	12,75	1935	14,2	3720	10,3	4760	6,4
		1650	19,25	2805	16,4	4380	12,5	5155	8,6
		1800	25,00	3010	19,5	4655	14,7	5930	9,0

1 kW = 1,360 PS 1 kW = 1,340 HP 1 m = 3,281 feet 1 ℓ / min = 0,2199 IMP gal / min 1 kg / cm² = 14,2 psi

Spesifikasi dapat berubah tanpa pemberitahuan terlebih dulu / Specification are subject to change without prior notice.



NIAGARA

THE PRIME CHOICE FOR
IRRIGATION, PLANTATION & FISHERY

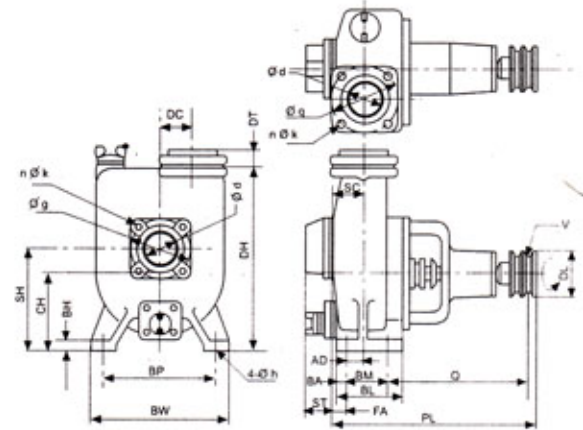


Model	PUMP DIMENSION															
	CH	DC	DH	AD	PL	Q	SC	FA	SH	BA	BM	BL	BH	BP	BW	h
GTR 2	128	36	286	30	336	229	45	31	160	19,5	70	109	15	190	224	12
GTR 3	165	40	345	40	403	243	62	40,5	191,5	19,5	100	139	14	216	252	12
GTR 4	177	45	386	60	460	275	84	40	250	19,5	120	170	15	249	300	15
GTR 6	234	48	557	80	597,5	368,7	142	62	334,5	24	160	208	19	318	363	19
GTR 8	225,5	44	596	74	660,8	387,8	150	76	374	24	180	228	22	355	403	19

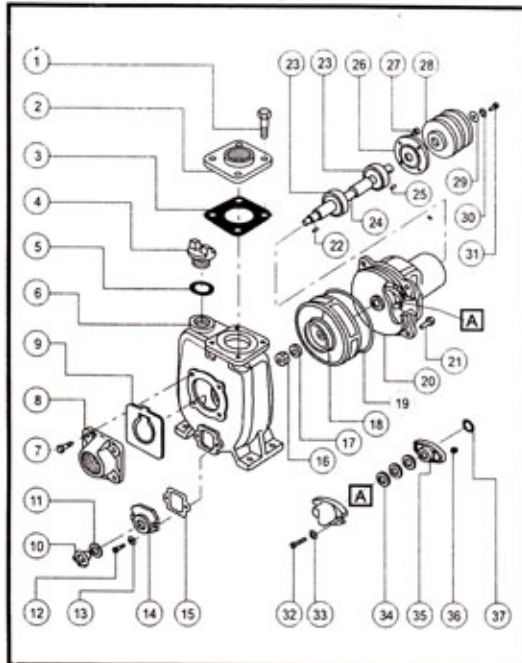
dimension in mm

Model	FLANGE					V. PULLEY		Weight (Kgs)
	d	g	n	ST	DT	V - Belt	DL	
GTR 2	60	106	4	37	25	65 A ₂	76	26
GTR 3	90	147	4	42	31	80 B ₂	92	47
GTR 4	106	165,5	4	55	38	125 B ₂	136	66
GTR 6	163,8	240	8	60	40	150 B ₃	160	144
GTR 8	214,6	290	8/12	71,5	53	201 B ₄	214	240

dimension in mm

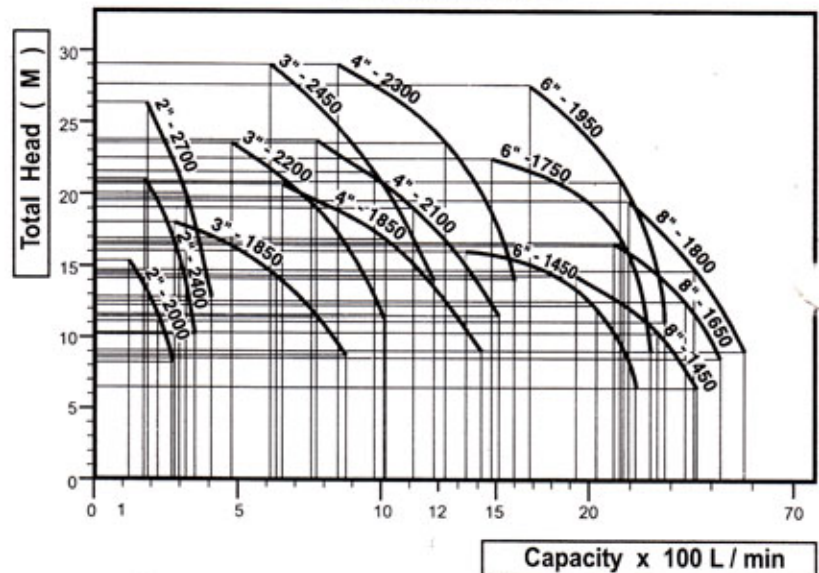


CONSTRUCTION AND PARTS LIST



- | | | | | |
|-----------------------------|-------------------------|---------------------|------------------------|-------------------------|
| 1. Discharge flange bolt | 9. Suction chek valve | 16. Impeller nut | 23. Ball bearing | 30. Washer |
| 2. Discharge flange | 10. Drain cap | 17. Impeller washer | 24. Shaft | 31. Pulley stopper bolt |
| 3. Discharge flange packing | 11. Drain cap packing | 18. Impeller | 25. Pulley key | 32. Gland bolt |
| 4. Priming cap | 12. Drain cover bolt | 19. O - Ring | 26. Bearing cover | 33. Gland bolt washer |
| 5. Priming cap packing | 13. Washer | 20. Bracket | 27. Bearing cover bolt | 34. Packing |
| 6. Casing | 14. Drain cover | 21. Bracket bolt | 28. V - Pulley | 35. Gland |
| 7. Suction flange bolt | 15. Drain cover packing | 22. Impeller key | 29. Pulley stopper | 36. Gland nut |
| 8. Suction flange | | | | 37. Deflector |

PERFORMANCE



PT. LUKES INDONESIA

Lindeteves Trade Center Lt UG, Blok B1 No. 6
Jalan Hayam Wuruk, Jakarta - Indonesia
Phone : 021 - 6231 7842, 628 5144
Fax : 021 - 6231 0499
email : sales@lukesindeonesia.com

