



### PERFORMANCE RANGE

- Flow rate up to **6000 l/min** (360 m<sup>3</sup>/h)
- Head up to **95 m**

### APPLICATION LIMITS

- Manometric suction lift up to **7 m**
- Liquid temperature between **-10 °C** and **+90 °C**
- Ambient temperature between **-10 °C** and **+40 °C**
- Max. pressure in pump body **10 bar** (PN10)
- Continuous service **S1**

### CONSTRUCTION AND SAFETY STANDARDS

EN 60034-1  
IEC 60034-1  
CEI 2-3



Pump body dimensions in compliance with **EN 733**  
**REGULATION (EU) N. 547/2012**

### CERTIFICATIONS

COMPANY WITH MANAGEMENT SYSTEM  
CERTIFIED BY DNV  
ISO 9001: QUALITY  
ISO 14001: ENVIRONMENT AND SAFETY



AN30



ПРМОТЕСТ-168

### INSTALLATION AND USE

- Water supply
- Pressure boosting
- Irrigation
- Water circulation in climatisation sets
- Cleaning sets
- Firefighting sets
- Industrial applications
- Agricultural applications

The pumps must be installed in enclosed places, or at least protected against inclement weather.

### OPTIONALS AVAILABLE ON REQUEST

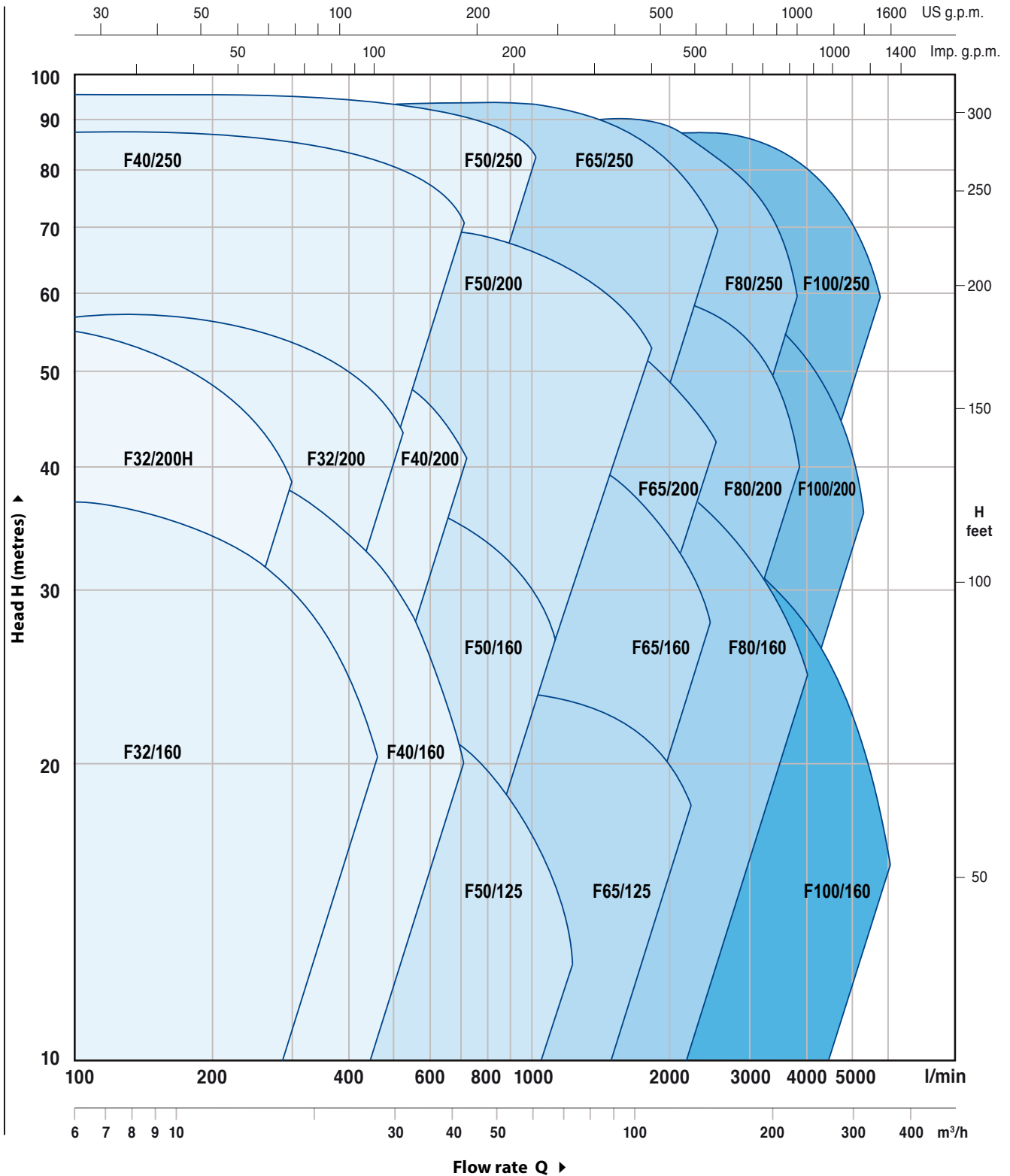
- Special mechanical seal
- Other voltages or 60 Hz frequency
- Compatibility with hotter or colder liquids
- Compatibility with hotter or colder ambients

### GUARANTEE

2 years subject to terms and conditions

**PERFORMANCE RANGE**

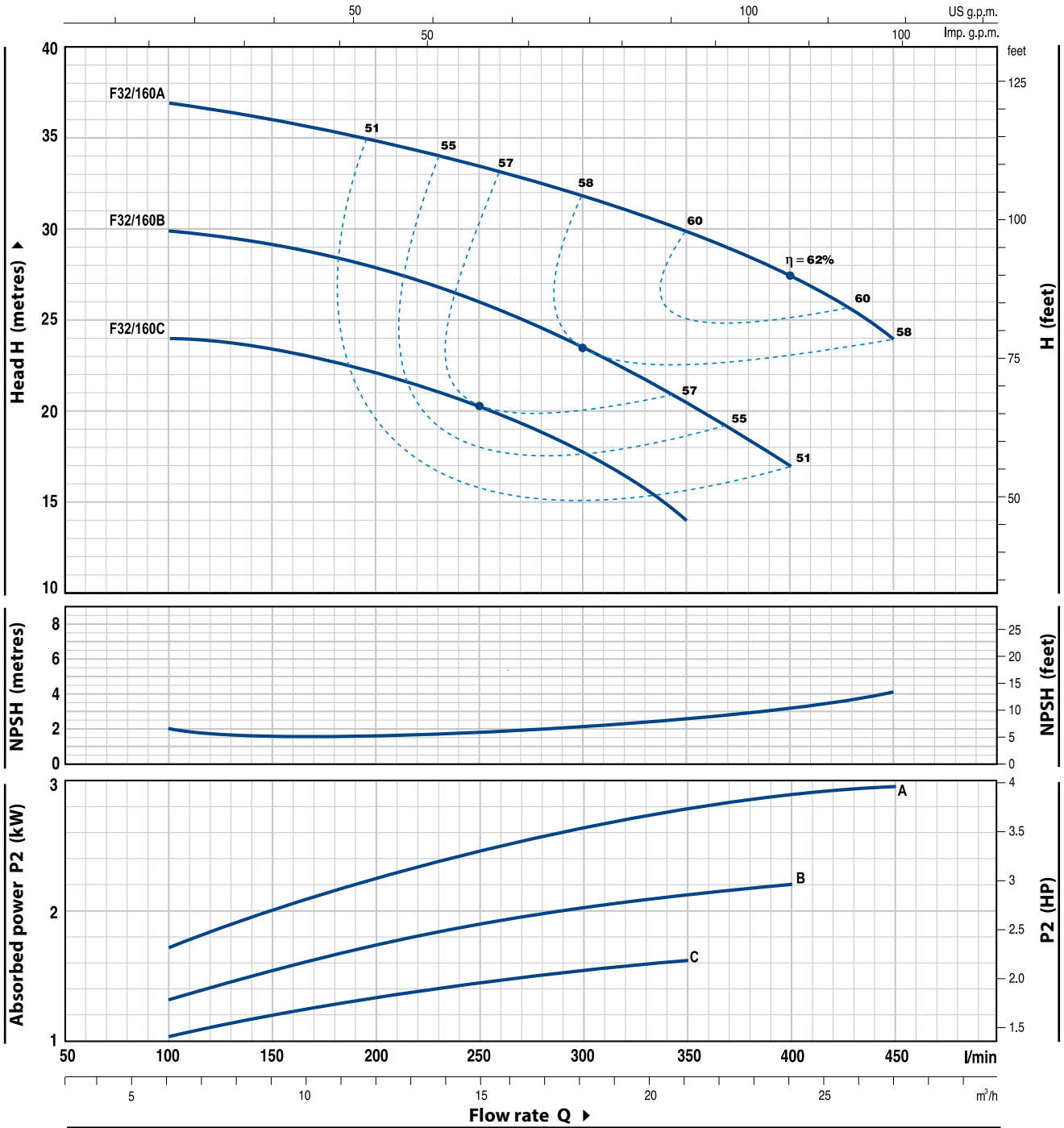
**50 Hz n= 2900 1/min HS= 0 m**



# F32/160

## CHARACTERISTIC CURVES AND PERFORMANCE DATA

50 Hz n= 2900 1/min HS= 0 m



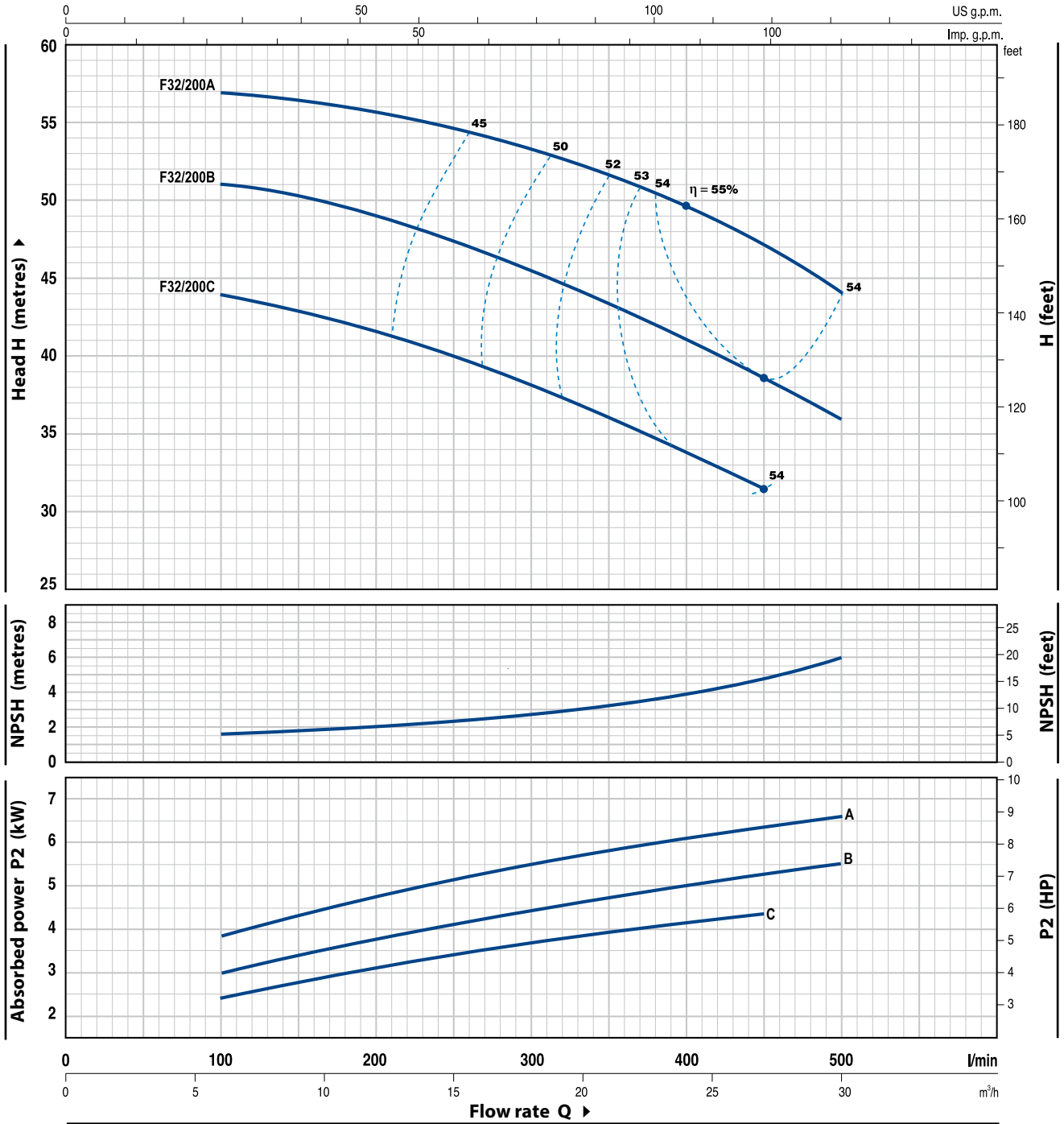
MODEL		POWER		Q	Flow rate									
Single-phase	Three-phase	kW	HP		0	6	9	12	15	18	21	24	27	
Fm 32/160C	F 32/160C	1.5	2	H metres	0	100	150	200	250	300	350	400	450	
Fm 32/160B	F 32/160B	2.2	3		25	24	23.5	22	20.5	18	14			
-	F 32/160A	3	4		31	30	29	28	26	23.5	20.5	17		
					38	37	36	35	33.5	31.5	30	27.5	24	

Q = Flow rate H = Total manometric head HS = Suction height

Tolerance of characteristic curves in compliance with EN ISO 9906 Grade 3.

## CHARACTERISTIC CURVES AND PERFORMANCE DATA

50 Hz n= 2900 1/min HS= 0 m



MODEL	POWER		Q	0	6	9	12	15	18	21	24	27	30
	kW	HP		0	100	150	200	250	300	350	400	450	500
Three-phase			H metres	46	44	43	41.5	40	38	36	34	31.5	
F 32/200C	4	5.5		52	51	50.5	49	47	45	43	41	38.5	36
F 32/200B	5.5	7.5		60	57	56.5	56	55	53.5	52	50	47	44

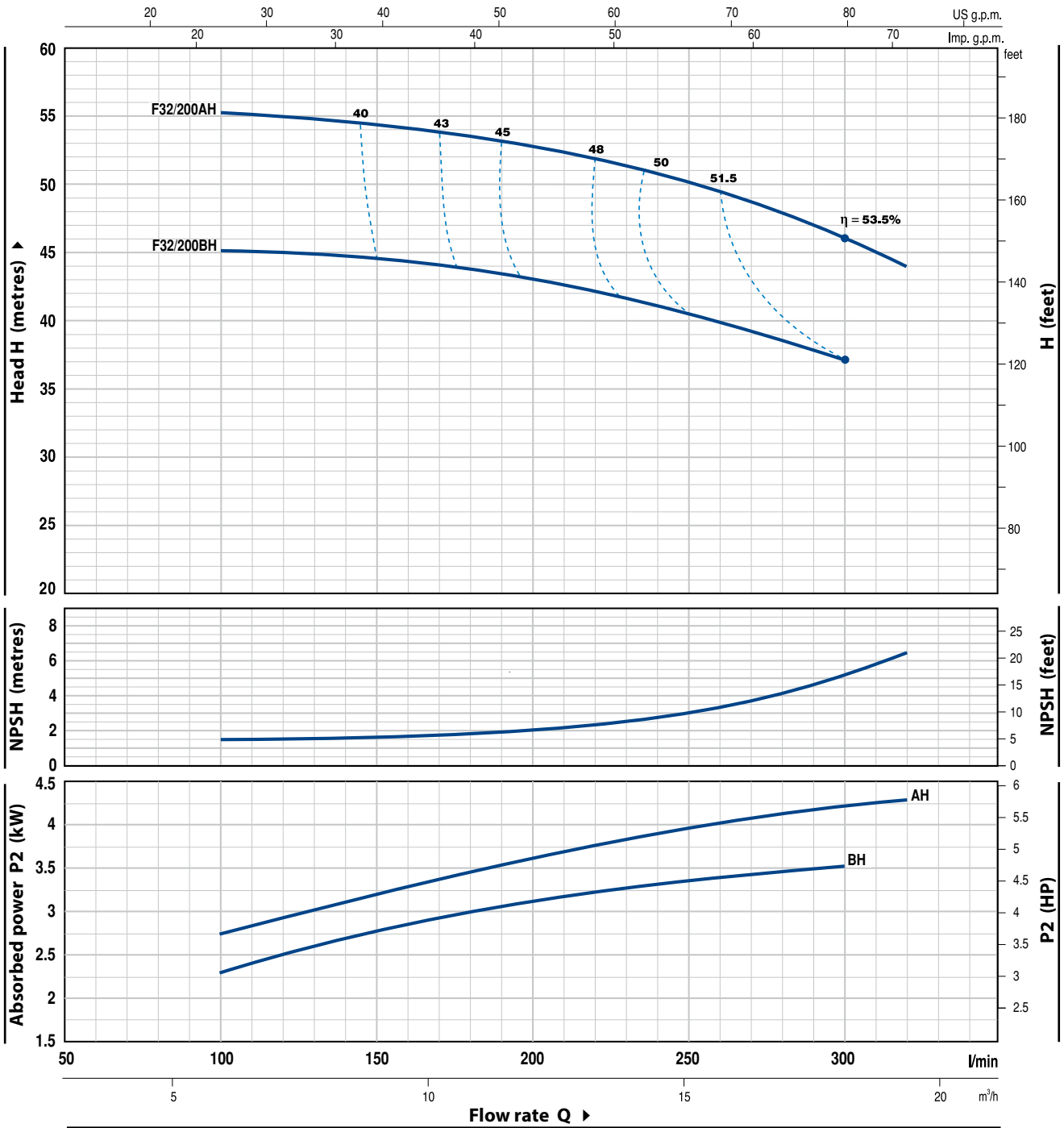
Q = Flow rate H = Total manometric head HS = Suction height

Tolerance of characteristic curves in compliance with EN ISO 9906 Grade 3.

# F32/200H

## CHARACTERISTIC CURVES AND PERFORMANCE DATA

50 Hz n= 2900 1/min HS= 0 m



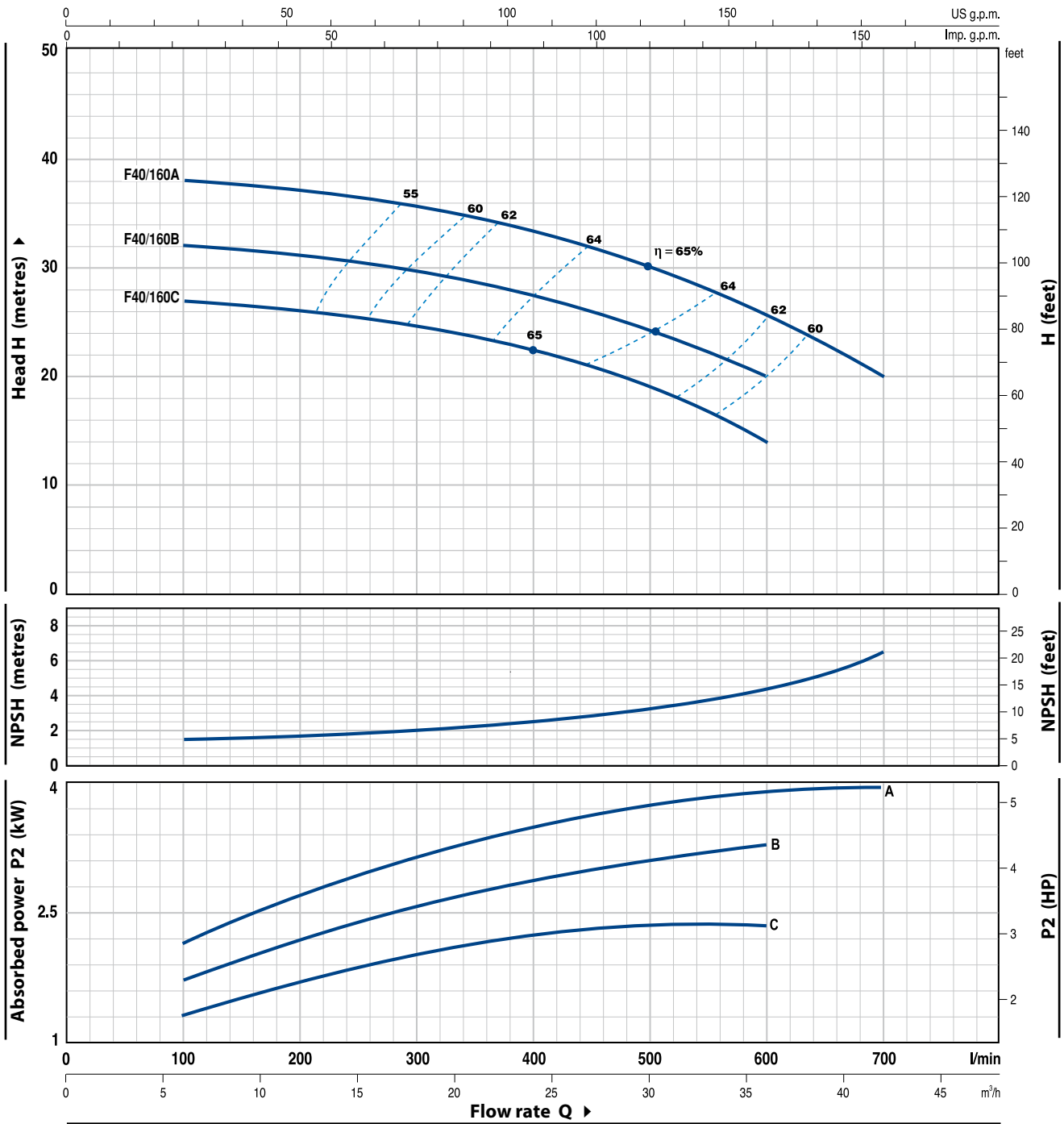
MODEL	POWER		Q	Flow rate						
	kW	HP		m <sup>3</sup> /h	l/min	m <sup>3</sup> /h	l/min	m <sup>3</sup> /h	l/min	
Three-phase				0	6	9	12	15	18	19.2
<b>F 32/200BH</b>	3	4	H metres	47	45	44.5	43	40.5	37	
<b>F 32/200AH</b>	4	5.5	H metres	57	55	54	52.5	50	46	44

Q = Flow rate H = Total manometric head HS = Suction height

Tolerance of characteristic curves in compliance with EN ISO 9906 Grade 3.

## CHARACTERISTIC CURVES AND PERFORMANCE DATA

50 Hz n= 2900 1/min HS= 0 m



MODEL		POWER		Q	Flow rate												
Single-phase	Three-phase	kW	HP		m <sup>3</sup> /h	0	6	9	12	15	18	24	30	36	42		
Fm 40/160C	F 40/160C	2.2	3	H metres	0	100	150	200	250	300	400	500	600	700			
-	F 40/160B	3	4		27	27	26.5	26	25.5	25	22.5	19	14				
-	F 40/160A	4	5.5		32	32	31.5	31	30.5	30	27.5	24	20				
					38	38	37.8	37	36.5	36	33.5	30	26	20			

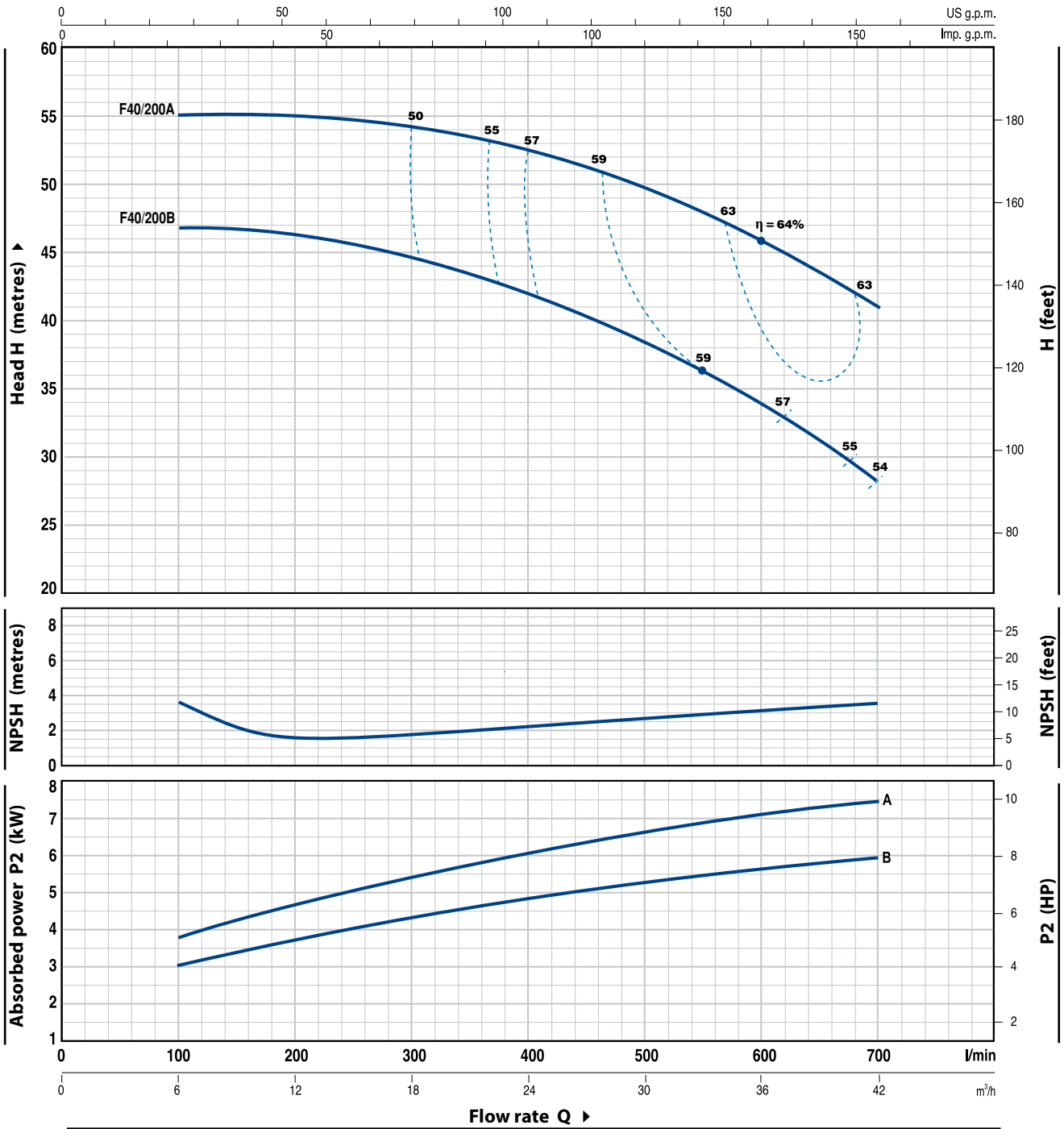
Q = Flow rate H = Total manometric head HS = Suction height

Tolerance of characteristic curves in compliance with EN ISO 9906 Grade 3.

# F40/200

## CHARACTERISTIC CURVES AND PERFORMANCE DATA

50 Hz n= 2900 1/min HS= 0 m



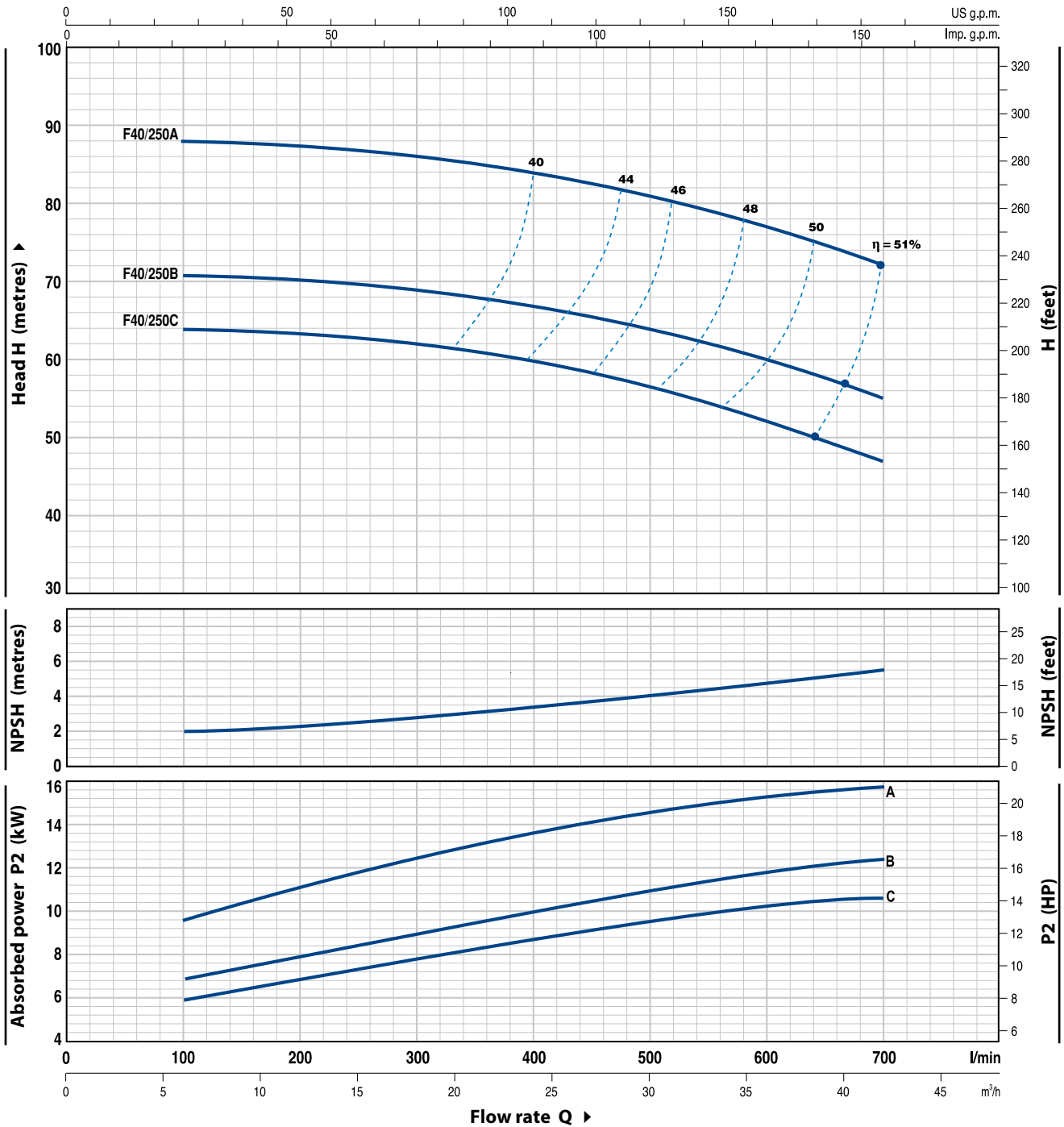
MODEL	POWER		Q	Flow rate												
	kW	HP		0	6	9	12	15	18	24	30	36	42			
Three-phase				0	100	150	200	250	300	400	500	600	700			
<b>F 40/200B</b>	5.5	7.5	H metres	48	47	46.5	46	45.5	44.5	42	38	34	28			
<b>F 40/200A</b>	7.5	10		56	55	55	55	54.5	54	52.5	49.5	46	41			

Q = Flow rate H = Total manometric head HS = Suction height

Tolerance of characteristic curves in compliance with EN ISO 9906 Grade 3.

## CHARACTERISTIC CURVES AND PERFORMANCE DATA

50 Hz n= 2900 1/min HS= 0 m



MODEL	POWER		Q	0	6	9	12	15	18	24	30	36	42
	kW	HP		0	100	150	200	250	300	400	500	600	700
Three-phase			H metres	64	64	63.5	63	62.5	62	60	56.5	52.5	47
<b>F 40/250C</b>	9.2	12.5		71	71	70.5	70	69.5	69	67	64	60	55
<b>F 40/250B</b>	11	15	88	88	87.5	87	86.5	86	84	81	77	72	
<b>F 40/250A</b>	15	20											

Q = Flow rate H = Total manometric head HS = Suction height

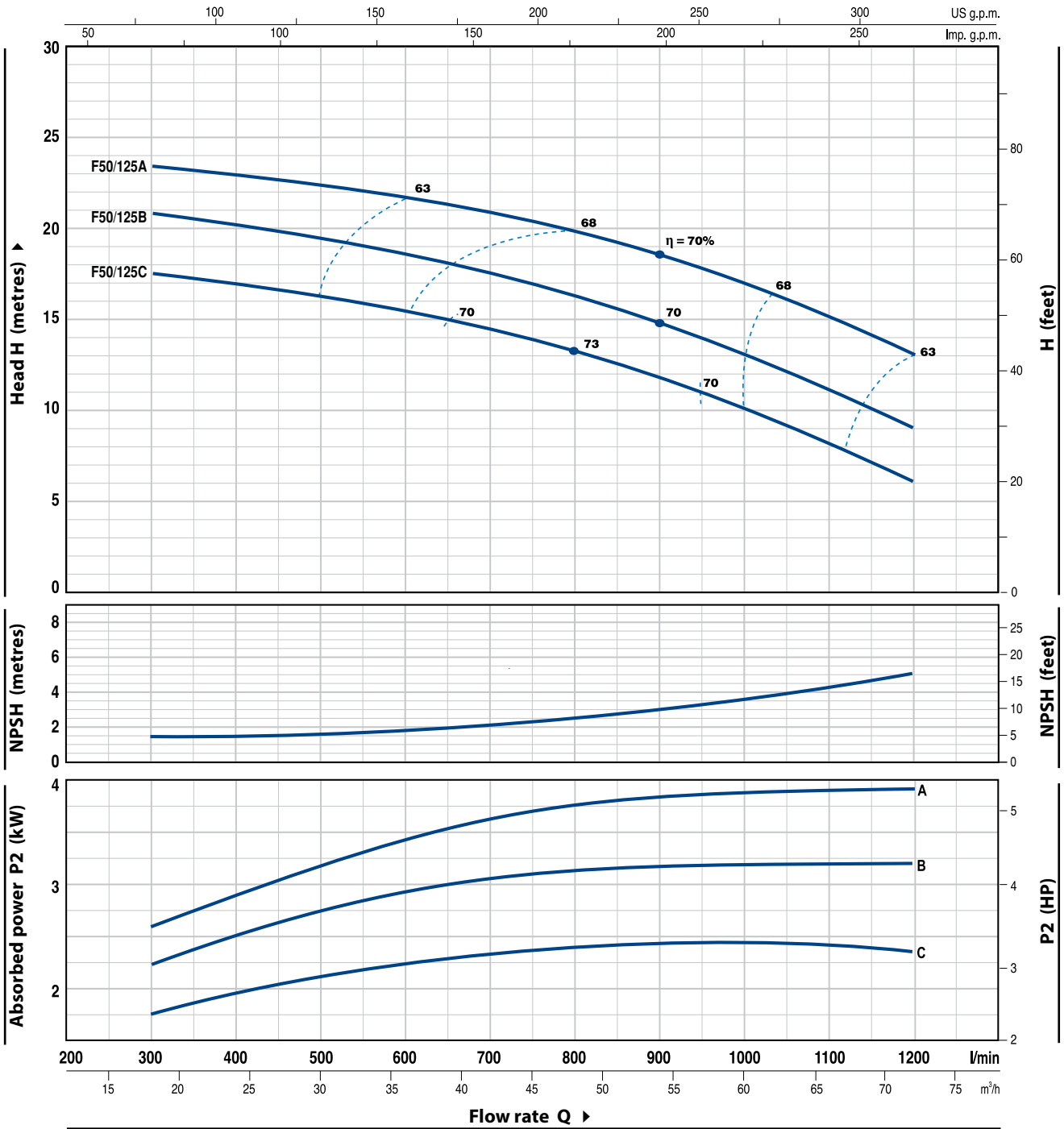
Tolerance of characteristic curves in compliance with EN ISO 9906 Grade 3.



# F50/125

## CHARACTERISTIC CURVES AND PERFORMANCE DATA

50 Hz n= 2900 1/min HS= 0 m



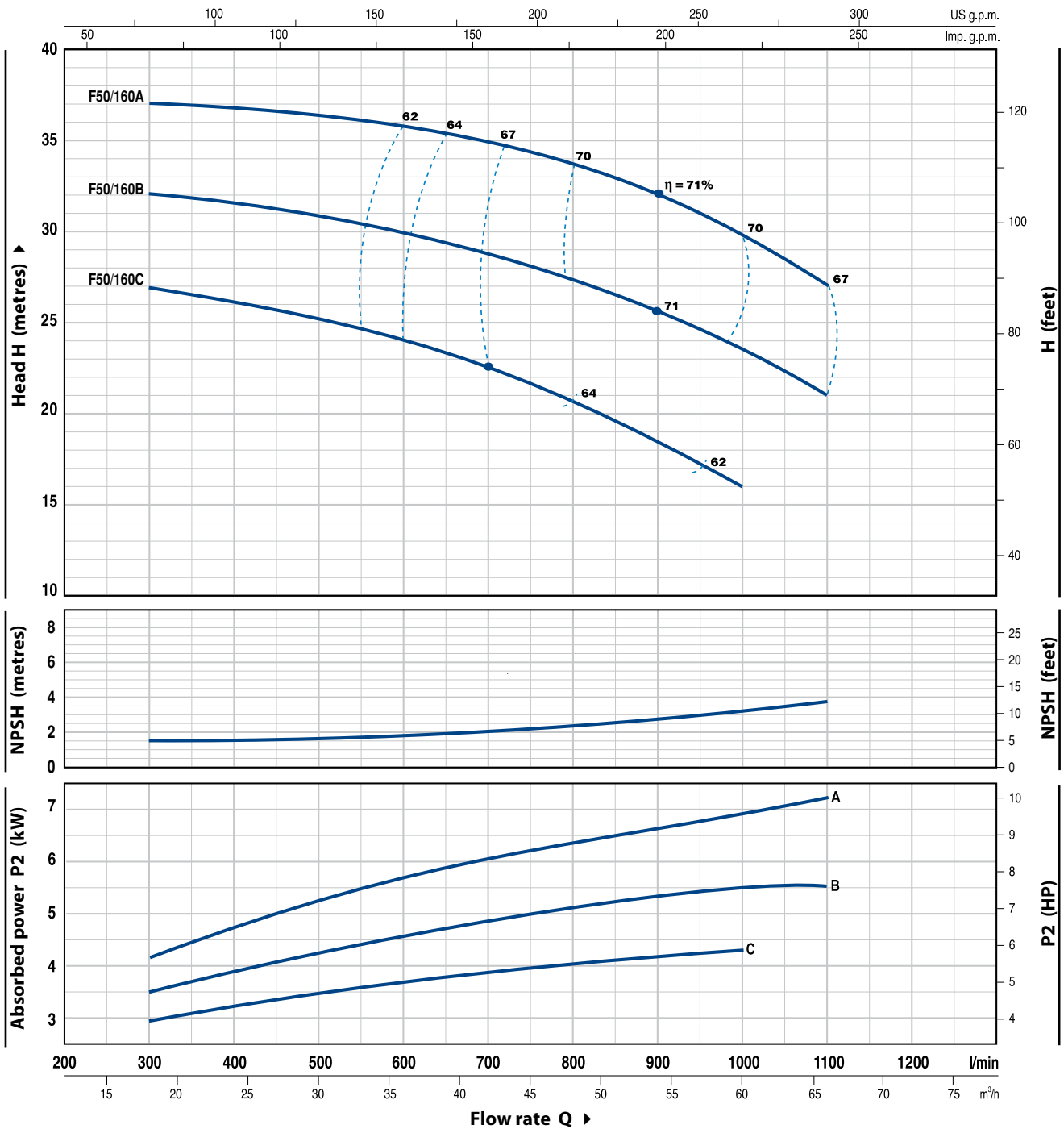
MODEL		POWER		Q	Flow rate Q														
Single-phase	Three-phase	kW	HP		m <sup>3</sup> /h	0	18	24	30	36	42	48	54	60	66	72			
Fm 50/125C	F 50/125C	2.2	3	H metres	0	300	400	500	600	700	800	900	1000	1100	1200				
-	F 50/125B	3	4		18.5	17.5	17	16.5	15.5	14.8	13.5	12	10.5	8.2	6				
-	F 50/125A	4	5.5		21.5	20.7	20	19.5	18.8	17.8	16.5	15	13.5	11.2	9				

Q = Flow rate H = Total manometric head HS = Suction height

Tolerance of characteristic curves in compliance with EN ISO 9906 Grade 3.

## CHARACTERISTIC CURVES AND PERFORMANCE DATA

50 Hz n= 2900 1/min HS= 0 m



MODEL	POWER		Q	0	18	24	30	36	42	48	54	60	66
	kW	HP		0	300	400	500	600	700	800	900	1000	1100
F 50/160C	4	5.5	H metres	27	27	26.5	25	24.5	23	20	18.5	16	
F 50/160B	5.5	7.5		33	32	31.7	31	30	29	27	26	24	21
F 50/160A	7.5	10		38	37	36.8	36.5	36	34	33	32	30	27

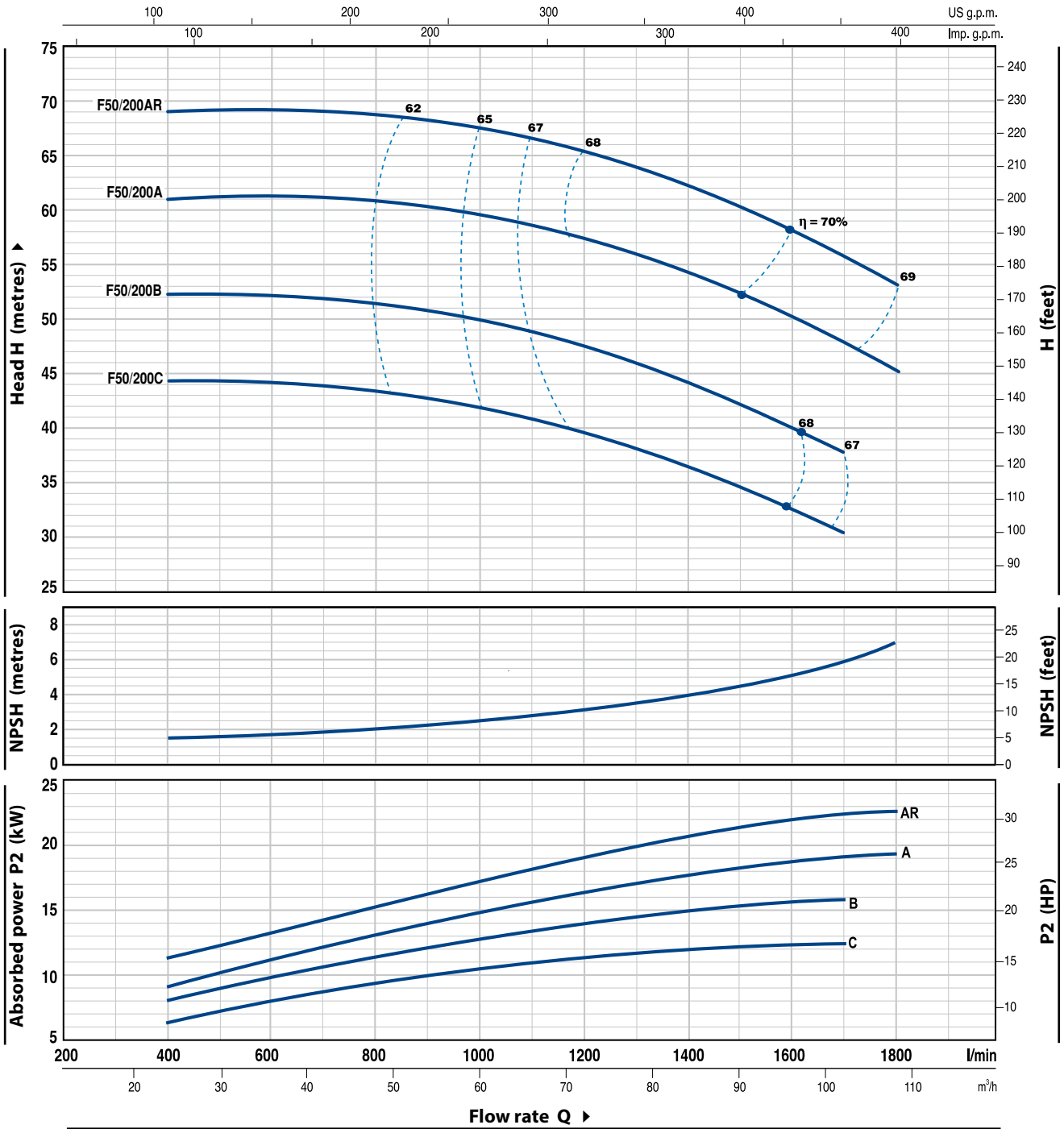
Q = Flow rate H = Total manometric head HS = Suction height

Tolerance of characteristic curves in compliance with EN ISO 9906 Grade 3.

# F50/200

## CHARACTERISTIC CURVES AND PERFORMANCE DATA

50 Hz n= 2900 1/min HS= 0 m



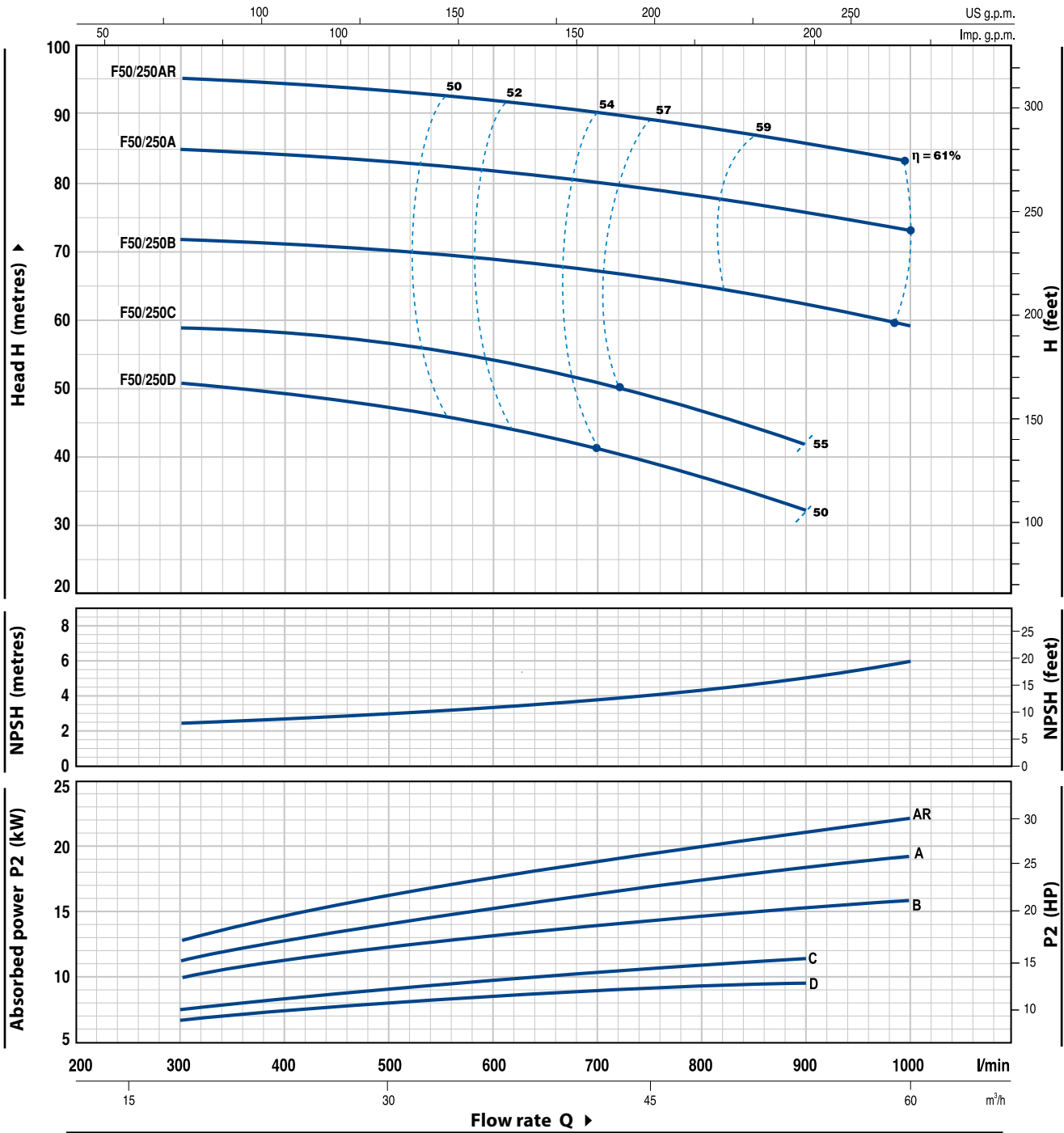
MODEL	POWER		Q	H metres											
	kW	HP		m <sup>3</sup> /h	24	36	48	60	72	84	96	102	108		
Three-phase			l/min	400	600	800	1000	1200	1400	1600	1700	1800			
F 50/200C	11	15		44	44	44	42	39	36	33	30				
F 50/200B	15	20		52	52	52	50	47	44	40	38				
F 50/200A	18.5	25		61	61	60.5	60	57	54	50	48	45			
F 50/200AR	22	30		69	69	68.5	68	65	62	58	56	53			

Q = Flow rate H = Total manometric head HS = Suction height

Tolerance of characteristic curves in compliance with EN ISO 9906 Grade 3.

## CHARACTERISTIC CURVES AND PERFORMANCE DATA

50 Hz n= 2900 1/min HS= 0 m



MODEL	POWER		Q	Flow rate											
	kW	HP		m <sup>3</sup> /h	0	18	24	30	36	42	48	54	60		
Three-phase			l/min	0	300	400	500	600	700	800	900	1000			
F 50/250D	9.2	12.5	H metres	51	51	49	47	44	41	37	32				
F 50/250C	11	15		59	59	58	57	54	51	47	42				
F 50/250B	15	20		72	72	71	70	69	67	65	62	59			
F 50/250A	18.5	25		85	85	84	83	82	80	78	76	73			
F 50/250AR	22	30		95	95	94	93	92	90	88	86	83			

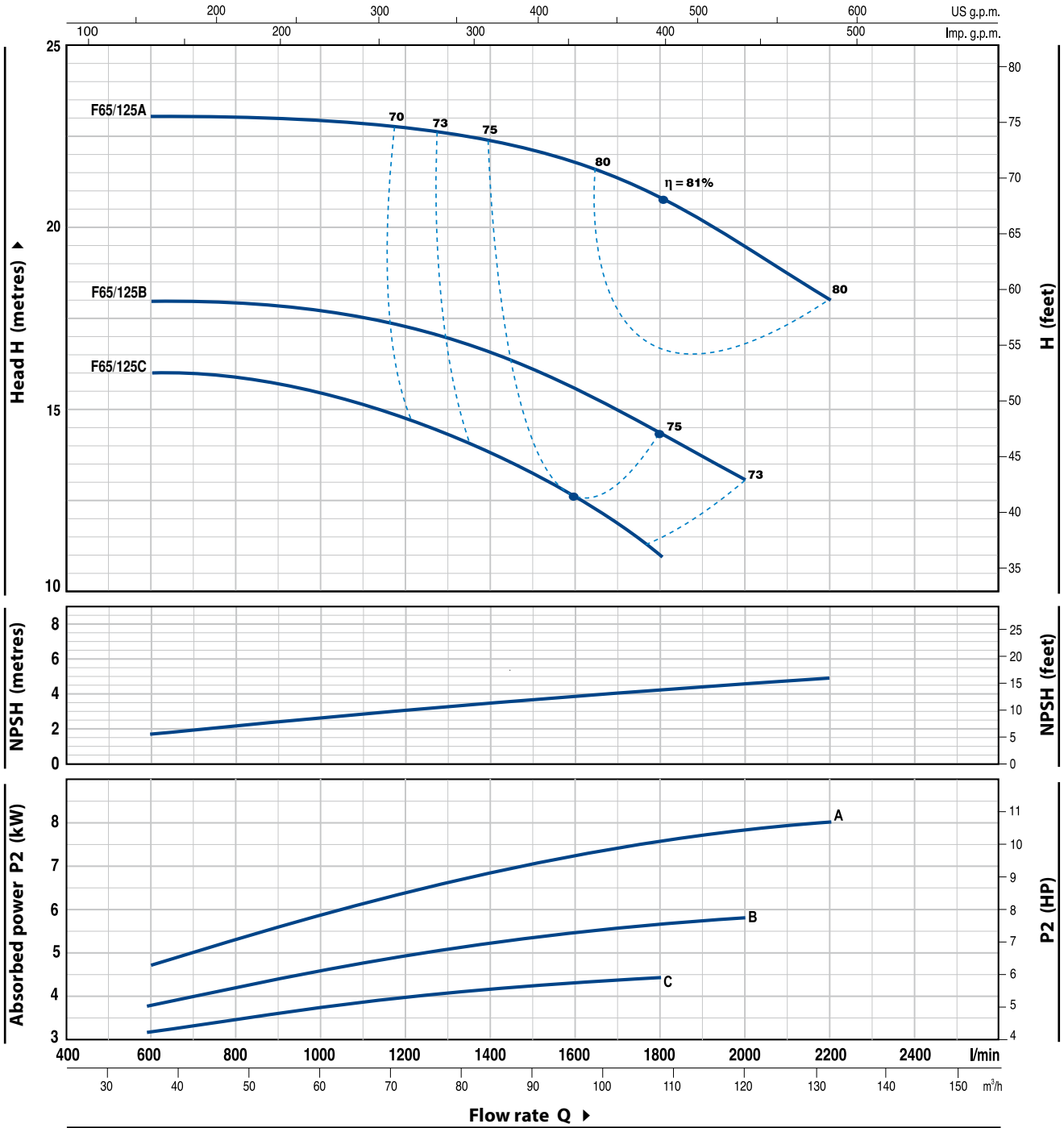
Q = Flow rate H = Total manometric head HS = Suction height

Tolerance of characteristic curves in compliance with EN ISO 9906 Grade 3.

# F65/125

## CHARACTERISTIC CURVES AND PERFORMANCE DATA

50 Hz n= 2900 1/min HS= 0 m



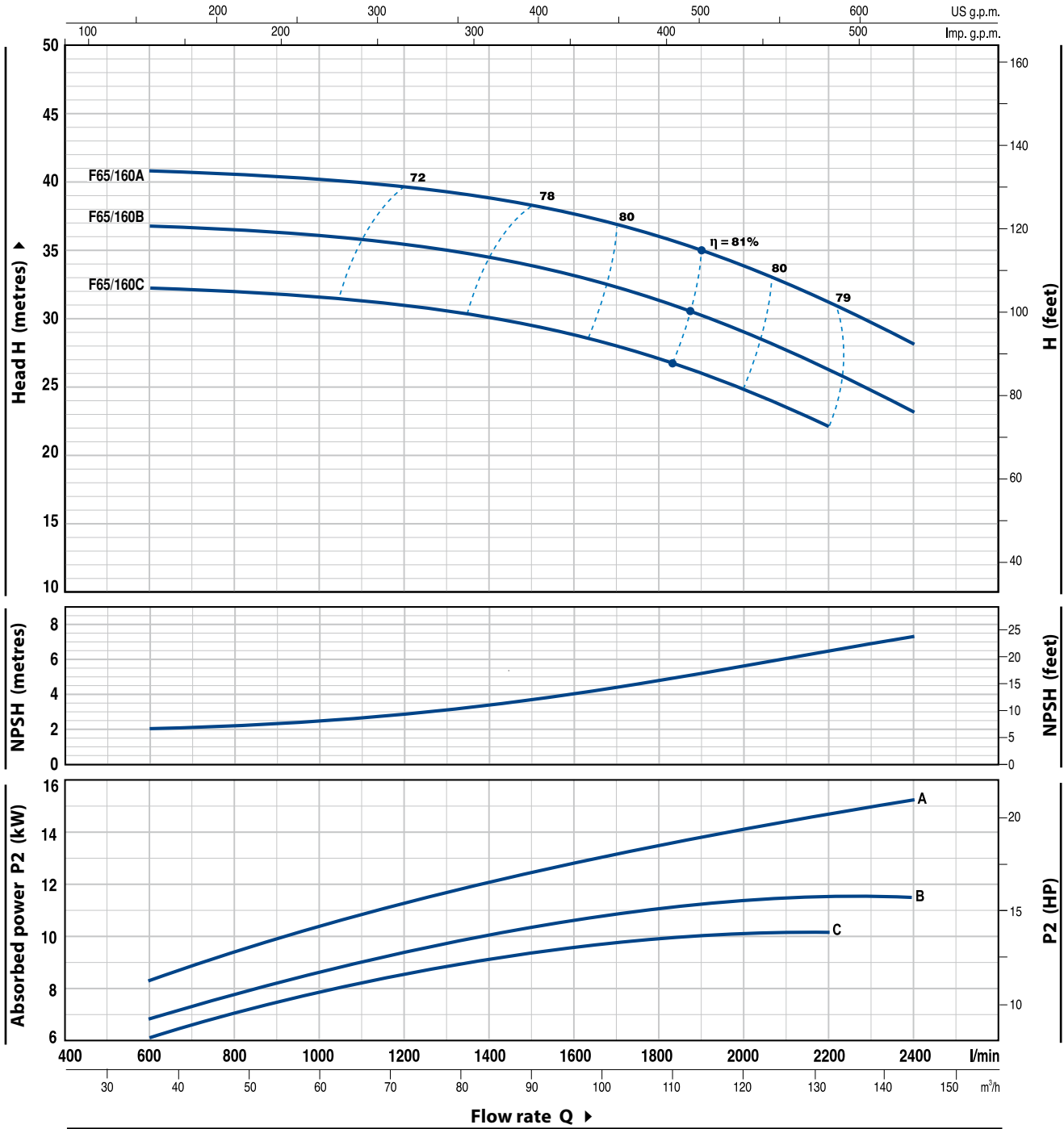
MODEL	POWER		Q	Flow rate												
	kW	HP		0	36	48	60	72	84	96	108	120	132			
Three-phase				0	600	800	1000	1200	1400	1600	1800	2000	2200			
F 65/125C	4	5.5	H metres	16	16	16	15.5	14.5	13.5	12.5	11					
F 65/125B	5.5	7.5		18	18	18	18	17	16.5	15.5	14.5	13				
F 65/125A	7.5	10		23	23	23	23	22.5	22.5	22	21	19.5	18			

Q = Flow rate H = Total manometric head HS = Suction height

Tolerance of characteristic curves in compliance with EN ISO 9906 Grade 3.

## CHARACTERISTIC CURVES AND PERFORMANCE DATA

50 Hz n= 2900 1/min HS= 0 m



MODEL	POWER		Q	Flow rate													
	kW	HP		0	36	48	60	72	84	96	108	120	132	144			
Three-phase				0	600	800	1000	1200	1400	1600	1800	2000	2200	2400			
F 65/160C	9.2	12.5	H metres	32	32	32	32	32	30	29	27	25	22				
F 65/160B	11	15		37	36.5	36.5	36	35.5	34	33	31	29	26	23			
F 65/160A	15	20		41	40.5	40.5	40	39.5	39	37.5	36	34	31	28			

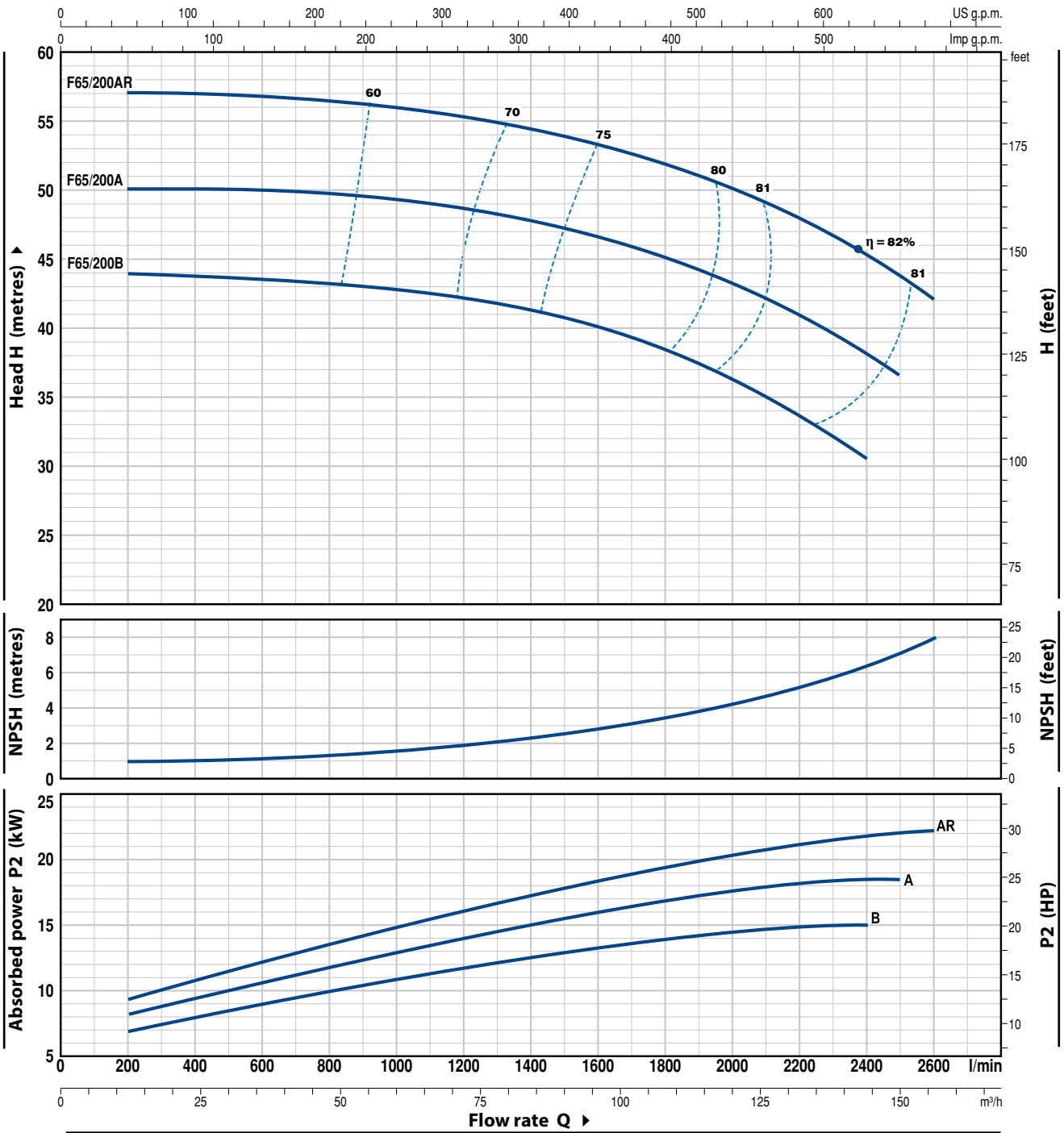
Q = Flow rate H = Total manometric head HS = Suction height

Tolerance of characteristic curves in compliance with EN ISO 9906 Grade 3.

# F65/200

## CHARACTERISTIC CURVES AND PERFORMANCE DATA

50 Hz n= 2900 1/min HS= 0 m



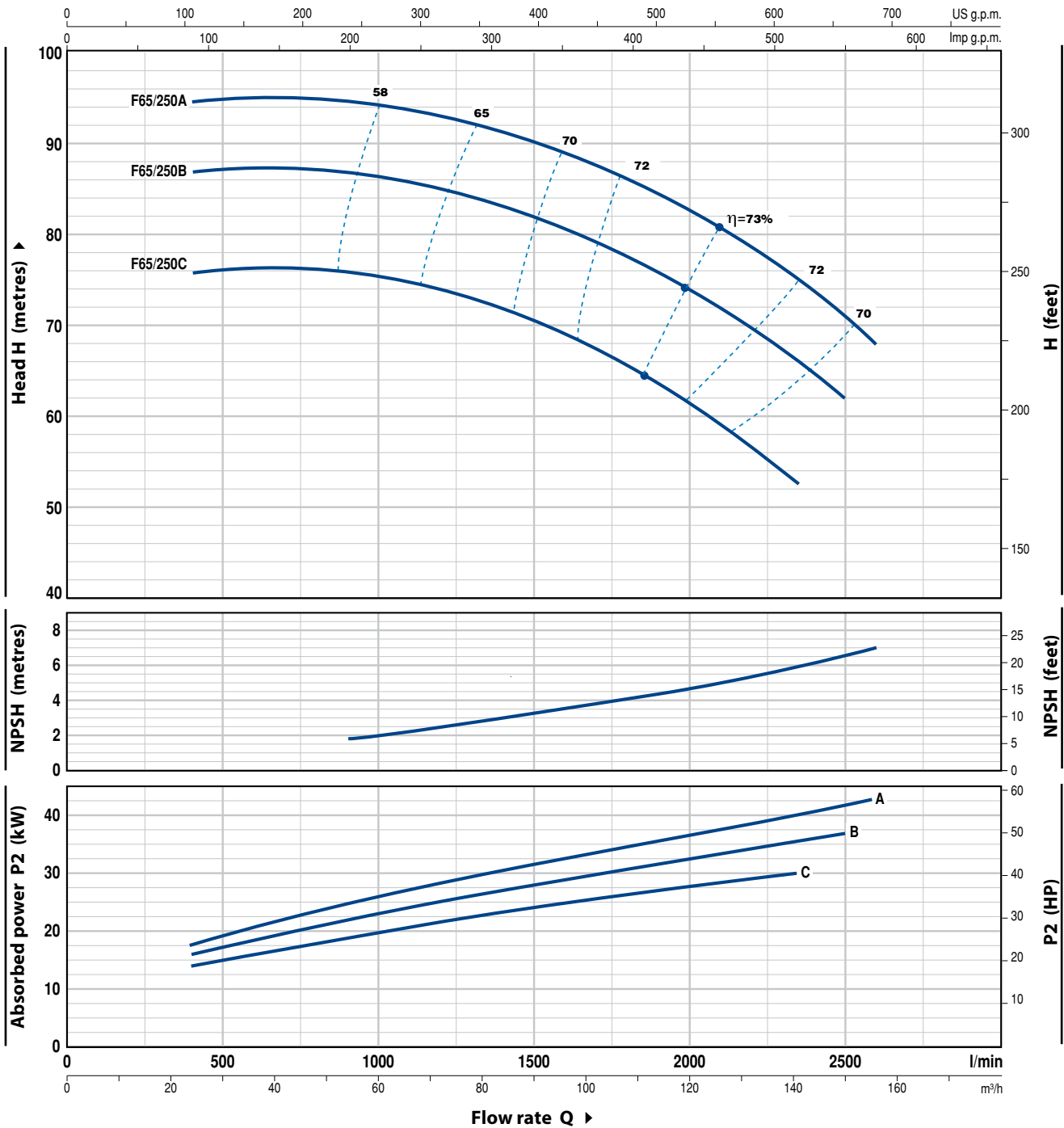
MODEL	POWER		Q	12	24	36	48	60	72	84	96	108	120	132	144	156
	kW	HP		m³/h	200	400	600	800	1000	1200	1400	1600	1800	2000	2200	2400
Three-phase			l/min													
<b>F 65/200B</b>	15	20	H metres	44	43.5	43.5	43.3	43	42.5	41.5	40	38.5	36.5	34	30.5	
<b>F 65/200A</b>	18.5	25		50	50	50	50	49.5	49	48	46.5	45	43	41	38	36.5
<b>F 65/200AR</b>	22	30		57	57	57	57	56	55.5	54.5	53.5	52	50	48	45.5	42

Q = Flow rate H = Total manometric head HS = Suction height

Tolerance of characteristic curves in compliance with EN ISO 9906 Grade 3.

## CHARACTERISTIC CURVES AND PERFORMANCE DATA

50 Hz n= 2900 1/min HS= 0 m



MODEL	POWER		Q	24	40	60	80	100	120	141	150	156
	kW	HP		400	667	1000	1333	1667	2000	2350	2500	2600
Three-phase			H metres	76	76	75.5	72.5	68	61.5	53		
F 65/250C	30	40		87	87	86	84	80	74	66.5	62	
F 65/250B	37	50		94.5	95	94	92	88	82.5	75	71	68

Q = Flow rate H = Total manometric head HS = Suction height

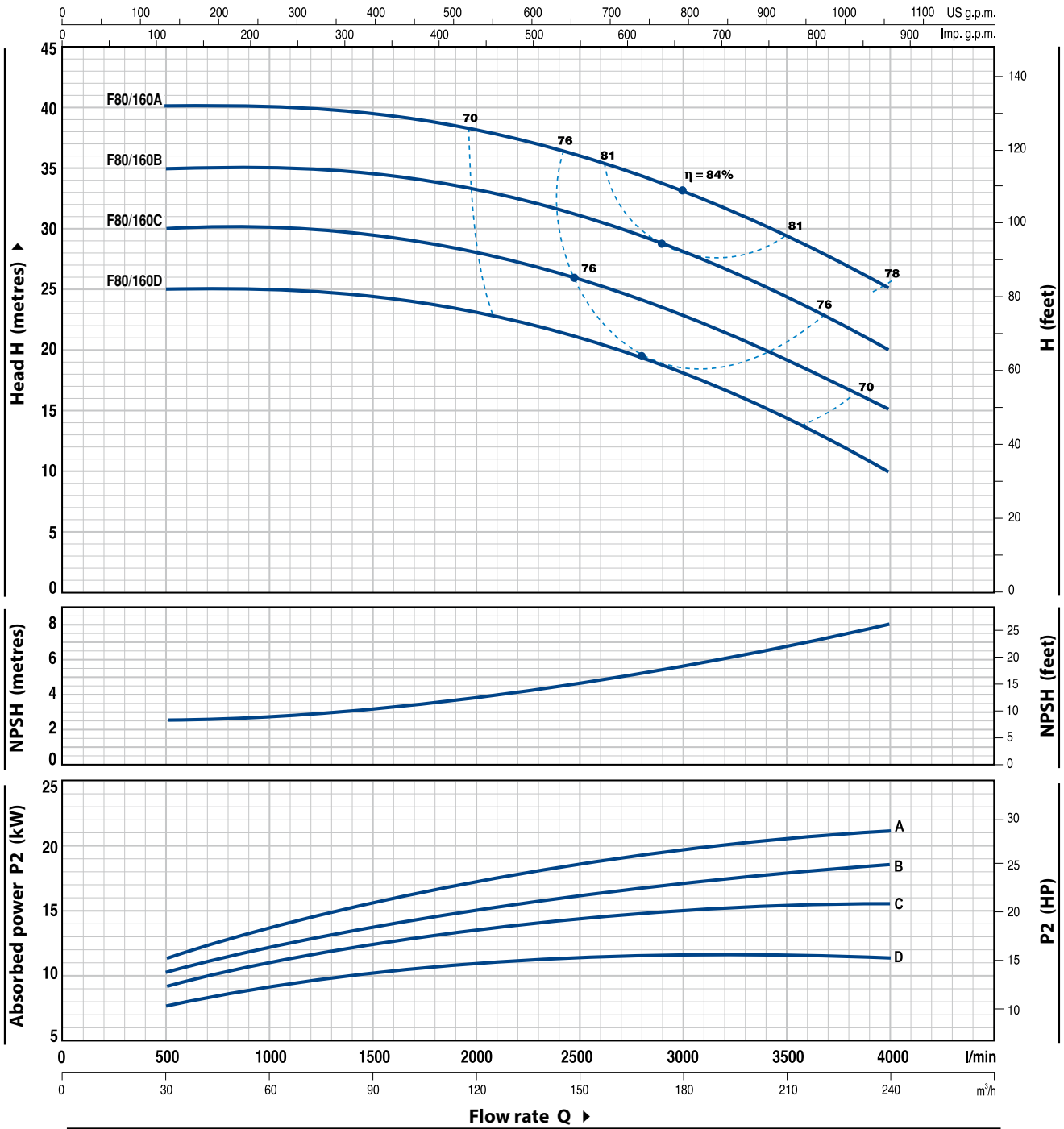
Tolerance of characteristic curves in compliance with EN ISO 9906 Grade 3.



# F80/160

## CHARACTERISTIC CURVES AND PERFORMANCE DATA

50 Hz n= 2900 1/min HS= 0 m



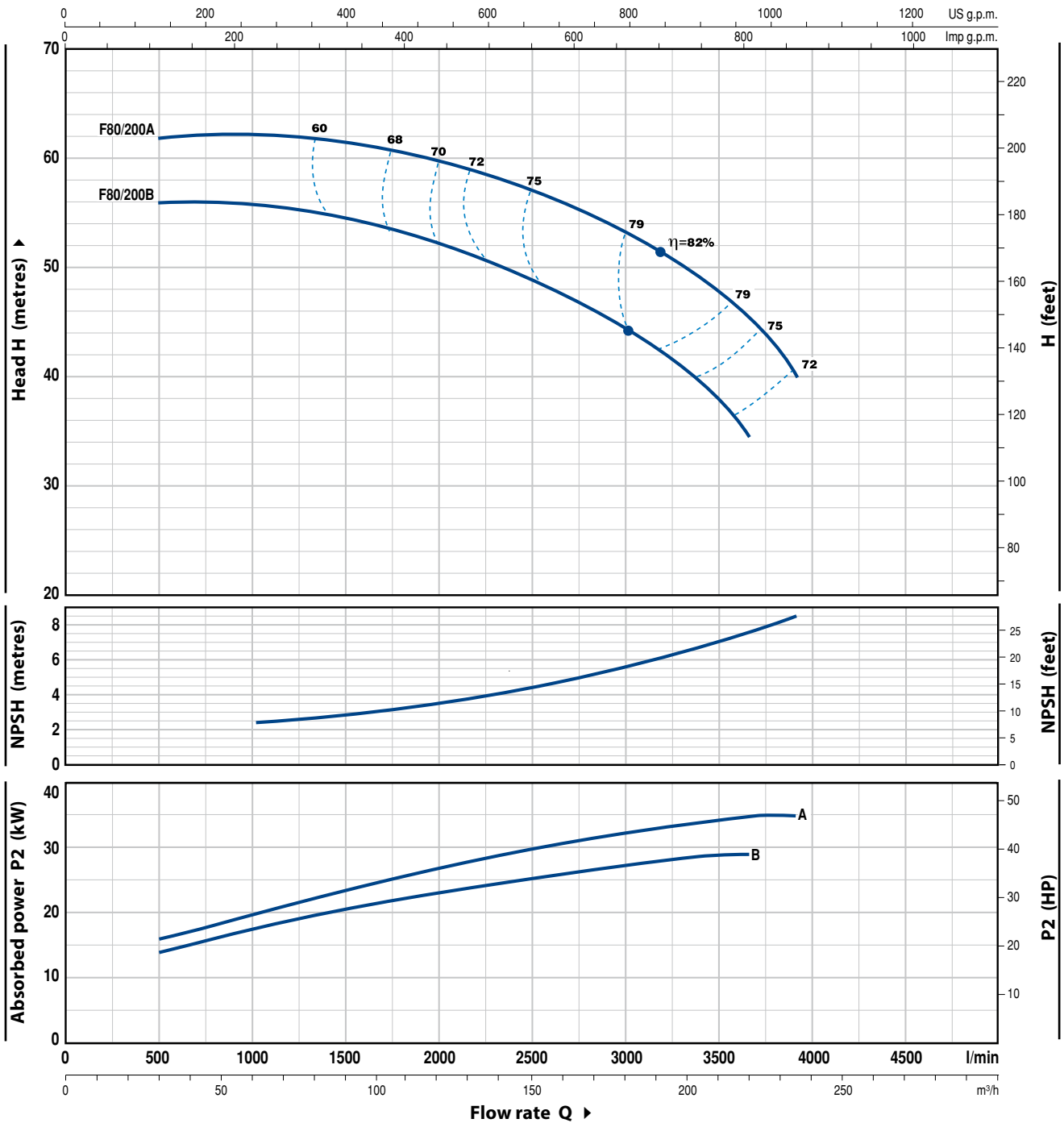
MODEL	POWER		Q	H metres											
	kW	HP		0	30	60	90	120	150	180	210	240			
Three-phase			Q	0	500	1000	1500	2000	2500	3000	3500	4000			
F 80/160D	11	15	H metres	25	25	25	24.5	23.5	21	18	14.5	10			
F 80/160C	15	20		30	30	30	29.5	28.5	26	23	19.5	15			
F 80/160B	18.5	25		35	35	35	34.5	33.5	31	28.5	24.5	20			
F 80/160A	22	30		40	40	40	39.5	38.5	36	33	29.5	25			

Q = Flow rate H = Total manometric head HS = Suction height

Tolerance of characteristic curves in compliance with EN ISO 9906 Grade 3.

## CHARACTERISTIC CURVES AND PERFORMANCE DATA

50 Hz n= 2900 1/min HS= 0 m



MODEL	POWER		Q	Flow rate						
	kW	HP		m <sup>3</sup> /h	l/min	m <sup>3</sup> /h	l/min	m <sup>3</sup> /h	l/min	
Three-phase				30	50	100	150	200	219	234
<b>F 80/200B</b>	30	40	H metres	56	56	54	49	41	34.5	
<b>F 80/200A</b>	37	50		62	62	61	57	50	45.5	40

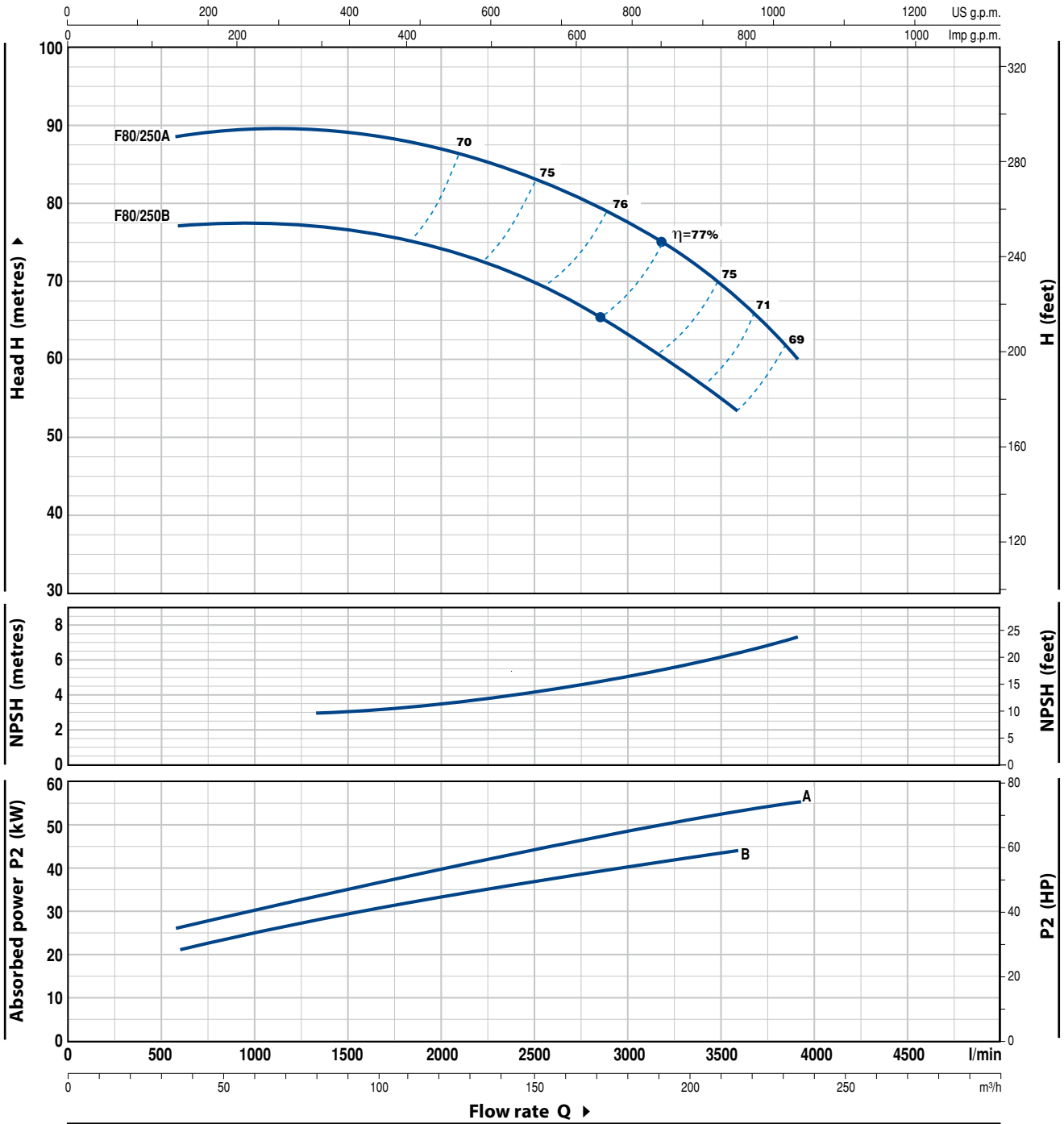
Q = Flow rate H = Total manometric head HS = Suction height

Tolerance of characteristic curves in compliance with EN ISO 9906 Grade 3.

# F80/250

## CHARACTERISTIC CURVES AND PERFORMANCE DATA

50 Hz n= 2900 1/min HS= 0 m



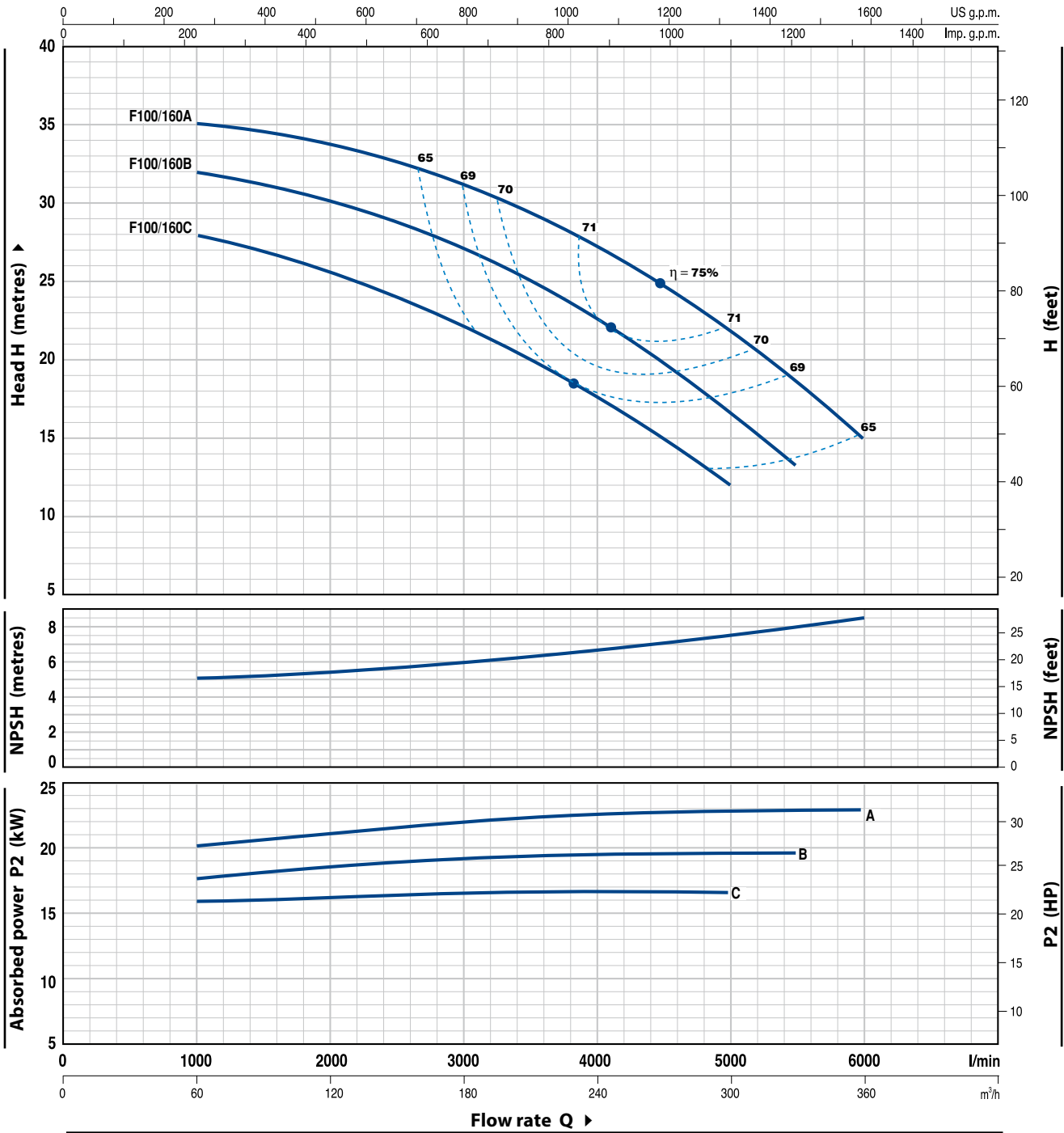
MODEL	POWER		Q	36	50	100	150	200	216	234
	kW	HP		l/min	600	833	1667	2500	3333	3600
Three-phase			H metres	77	77.5	76	70.5	58.5	54	
<b>F 80/250B</b>	45	60		88.5	89.5	89	83	72	68	60
<b>F 80/250A</b>	55	75								

Q = Flow rate H = Total manometric head HS = Suction height

Tolerance of characteristic curves in compliance with EN ISO 9906 Grade 3.

## CHARACTERISTIC CURVES AND PERFORMANCE DATA

50 Hz n= 2900 1/min HS= 0 m



MODEL	POWER		Q	60	120	180	240	270	300	330	360
	kW	HP		l/min	1000	2000	3000	4000	4500	5000	5500
F 100/160C	15	20	H metres	28	25.5	22	17.5	15	12		
F 100/160B	18.5	25		32	30	27	22.5	19.5	17	13	
F 100/160A	22	30		35	34	31	27	24.5	22	18	15

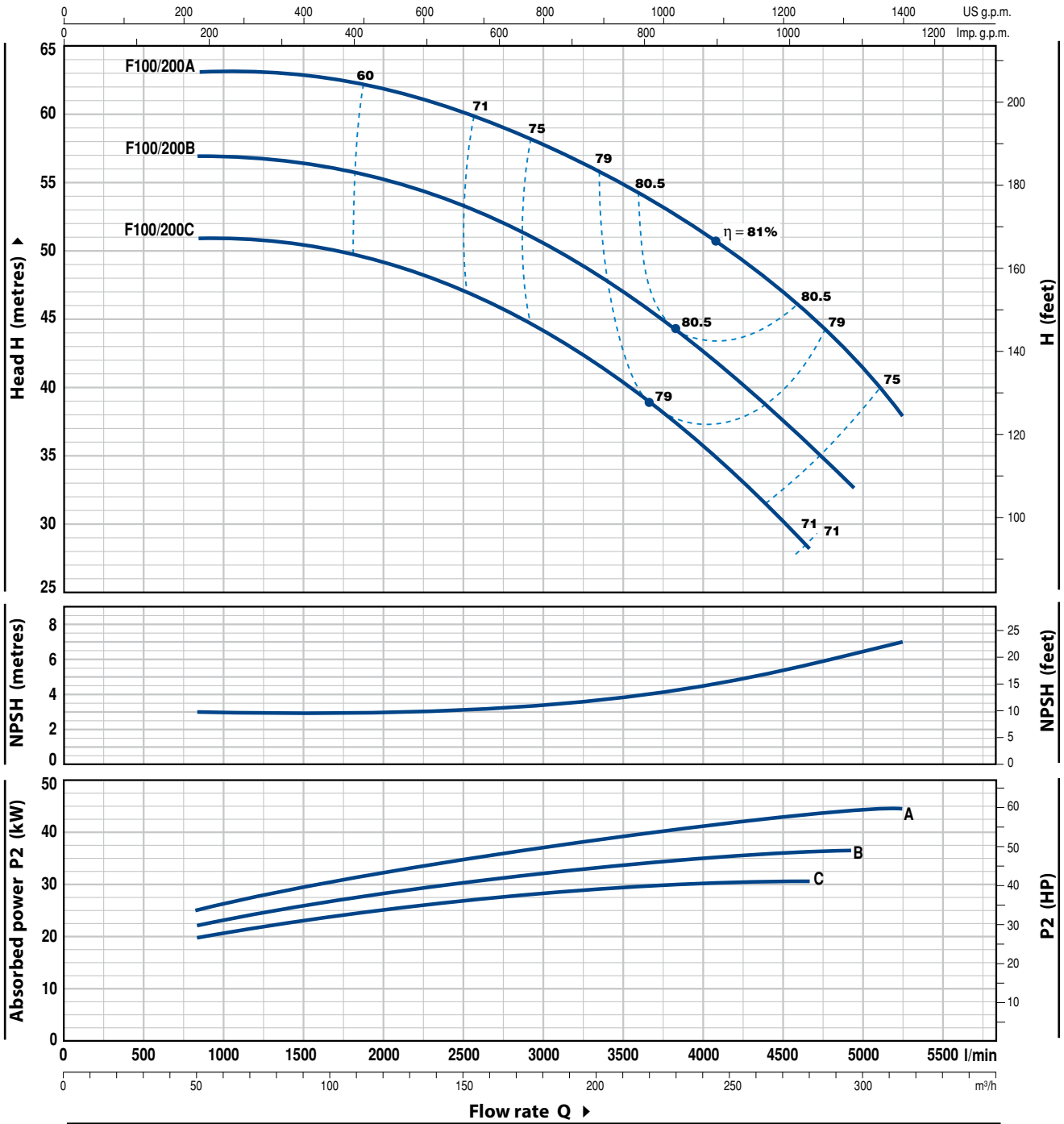
Q = Flow rate H = Total manometric head HS = Suction height

Tolerance of characteristic curves in compliance with EN ISO 9906 Grade 3.

# F100/200

## CHARACTERISTIC CURVES AND PERFORMANCE DATA

50 Hz n= 2900 1/min HS= 0 m



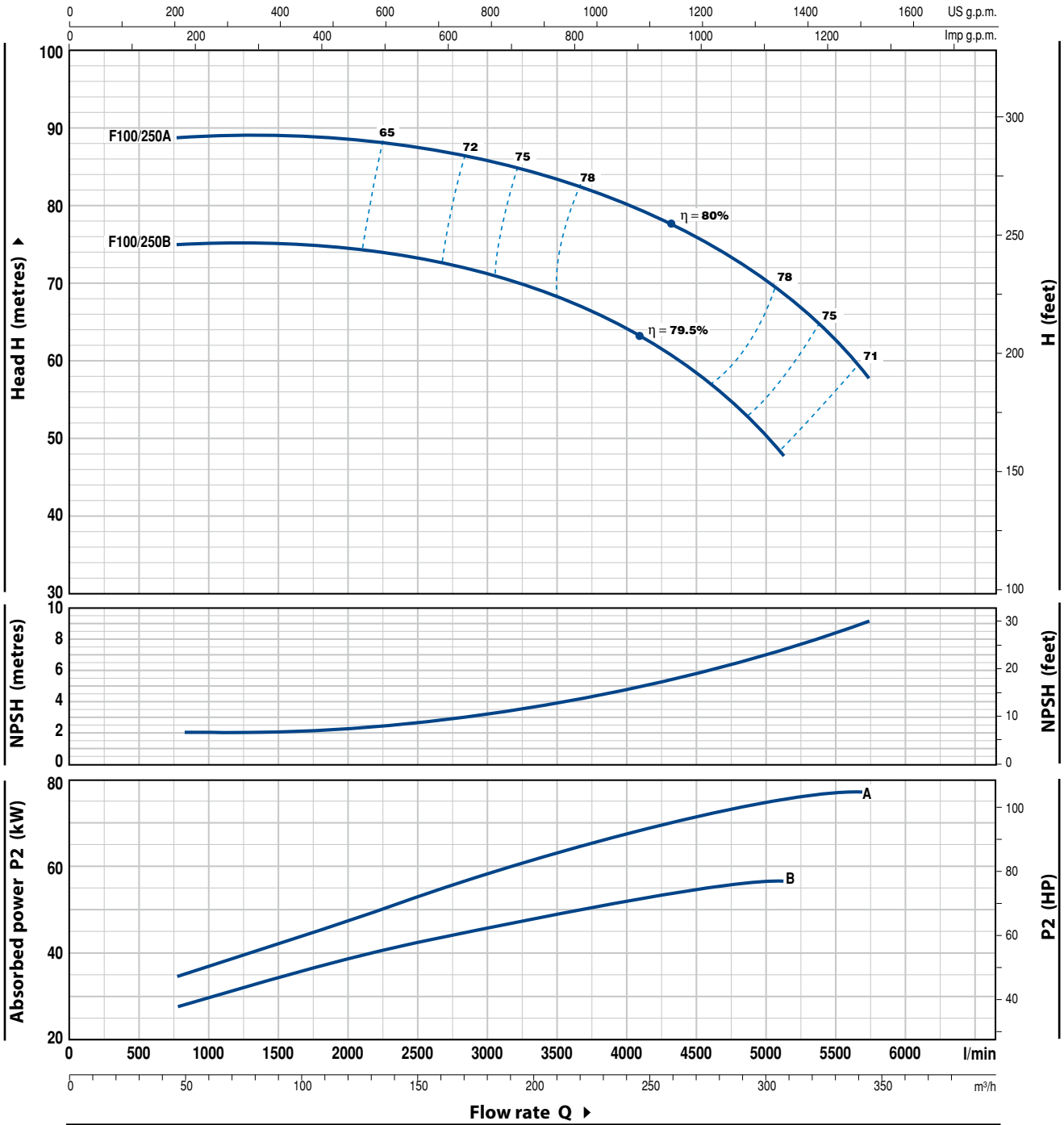
MODEL	POWER		Q	Flow rate											
	kW	HP		0	50	100	150	200	250	279	294	300	315		
Three-phase			l/min	0	833	1667	2500	3333	4167	4650	4900	5000	5250		
F 100/200C	30	40	H metres	51	51	50	47	41.5	34	28					
F 100/200B	37	50		57	57	56	53	48	41	36	33				
F 100/200A	45	60		63	63	62.5	60	56	50	45	42.5	41.5	38		

Q = Flow rate H = Total manometric head HS = Suction height

Tolerance of characteristic curves in compliance with EN ISO 9906 Grade 3.

## CHARACTERISTIC CURVES AND PERFORMANCE DATA

50 Hz n= 2900 1/min HS= 0 m

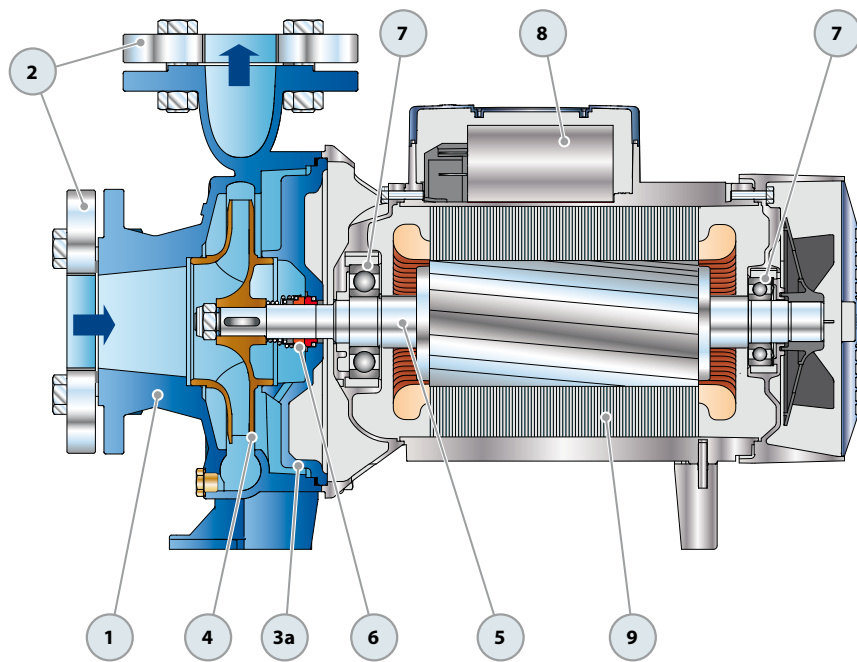


MODEL	POWER		Q	Flow rate										
	kW	HP		m³/h	48	96	150	180	210	240	300	309	345	
Three-phase			l/min	800	1600	2500	3000	3500	4000	5000	5150	5750		
<b>F 100/250B</b>	55	75	H metres	75	75	74	71.5	69	64.5	51	48			
<b>F 100/250A</b>	75	100		89	89	88.5	87	84	80.5	70.5	69	58		

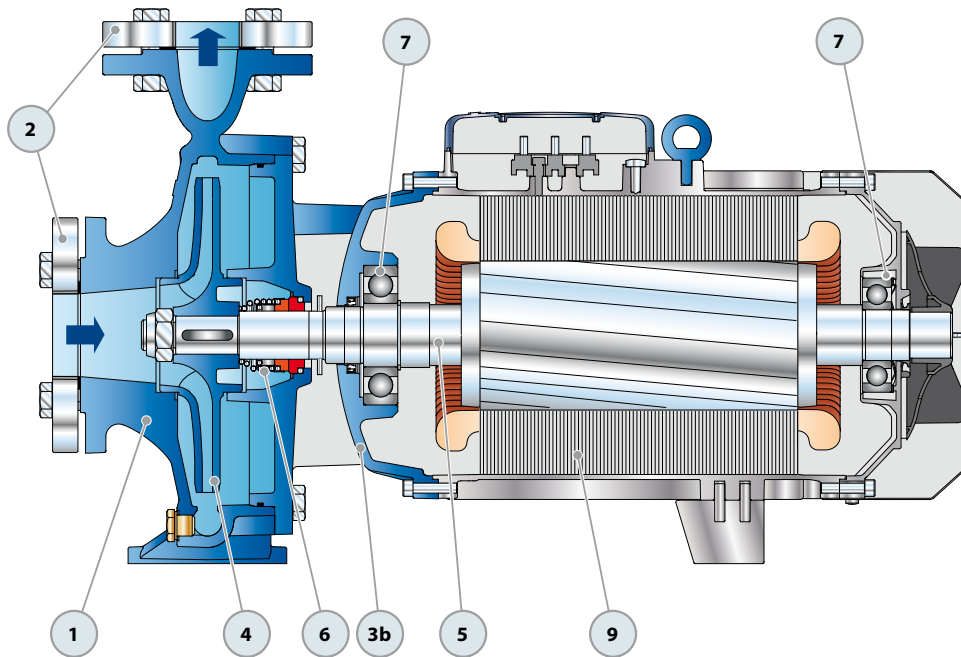
Q = Flow rate H = Total manometric head HS = Suction height

Tolerance of characteristic curves in compliance with EN ISO 9906 Grade 3.

POS.	COMPONENT	CONSTRUCTION CHARACTERISTICS					
1	<b>PUMP BODY</b>	Cast iron, complete with flanged suction and delivery ports					
2	<b>COUNTERFLANGES</b>	Steel, complete with ISO 228/1 thread					
3a	<b>BODY BACKPLATE</b>	Cast iron					
3b	<b>MOTOR BRACKET</b>	Cast iron					
4	<b>IMPELLER</b>	Brass for F32/160, F32/200, F40/160, F40/200, F50/125, F50/160 Cast iron for F40/250, F50/200, F50/250, F65/125, F65/160, F65/200, F65/250, F80/160, F80/200, F80/250, F100/160, F100/200, F100/250					
5	<b>MOTOR SHAFT</b>	Stainless steel EN 10088-3 - 1.4104					
6	<b>MECHANICAL SEAL</b>	<b>Pump Model</b>		<b>Seal Model</b>	<b>Shaft Diameter</b>	<b>Materials</b> Stationary ring    Rotational ring    Elastomer	
		F32/160 F50/125	F40/160	<b>FN-20</b>	<b>Ø 20 mm</b>	Graphite	Ceramic    NBR
		F32/200 F50/160	F40/200 F65/125	<b>FN-24</b>	<b>Ø 24 mm</b>	Graphite	Ceramic    NBR
		F50/200 F65/200 F100/160	F65/160 F80/160	<b>FN-32 NU</b>	<b>Ø 32 mm</b>	Graphite	Ceramic    NBR
		F40/250 F65/250	F50/250 F80/200	<b>FN-38</b>	<b>Ø 38 mm</b>	Graphite	Ceramic    NBR
		F80/250B F80/250A	F100/200 F100/250	<b>FN-40 NU</b> <b>FH-45 NU</b>	<b>Ø 40 mm</b> <b>Ø 45 mm</b>	Graphite	Ceramic    NBR
						Graphite	Ceramic    NBR
						Graphite	Ceramic    NBR
7	<b>BEARINGS</b>	<b>Pump Model</b>		<b>Pump Model</b>			
		F32/160C F32/160B F40/160C F50/125C	<b>6206 ZZ - C3 / 6204 ZZ</b>	F32/200 F40/200 F50/160 F65/125	<b>6307 ZZ - C3 / 6206 ZZ - C3</b>		
		Fm32/160B F32/160A Fm40/160C F40/160B Fm50/125C F50/125B	<b>6206 ZZ - C3 / 6205 ZZ</b>	F40/250 F50/200 F50/250 F65/160 F65/200 F80/160 F100/160	<b>6310 ZZ - C3 / 6308 ZZ - C3</b>		
		F40/160A F50/125A	<b>6306 ZZ - C3 / 6206 ZZ - C3</b>	F65/250 F80/200 F80/250B F100/200	<b>6312 ZZ - C3 / 6212 ZZ - C3</b>		
			F80/250A F100/250	<b>6314 ZZ - C3 / 6314 ZZ - C3</b>			
8	<b>CAPACITOR</b>	<b>Pump Single-phase</b>		<b>Capacitance (230 V or 240 V)</b>			
		Fm32/160C		<b>45 µF 450 VL</b>			
		Fm32/160B		<b>70 µF 450 VL</b>			
		Fm40/160C		<b>70 µF 450 VL</b>			
		Fm50/125C		<b>70 µF 450 VL</b>			
9	<b>ELECTRIC MOTOR</b>	<b>Fm:</b> single-phase 230 V - 50 Hz with thermal overload protector built-in to the winding (up to 1.5 kW) <b>F:</b> <b>three-phase 230/400 V - 50 Hz up to 4 kW</b> <b>400/690 V - 50 Hz from 5.5 to 75 kW</b> <b>► Pumps fitted with the three-phase motor option offer IE2 (IEC 60034-30) class high performance</b> – Insulation: F class – Protection: IPX5					



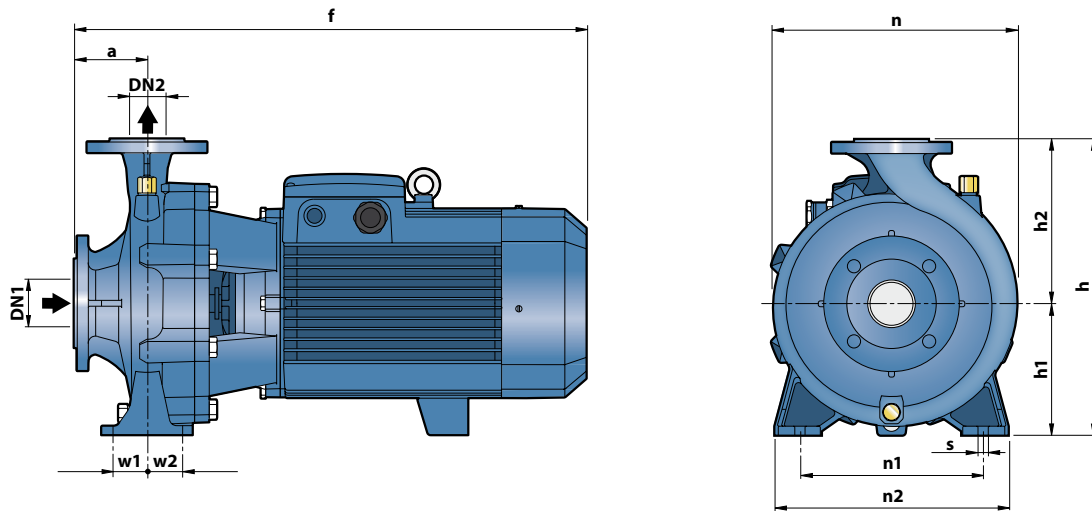
**Single-phase version**



**Three-phase version**



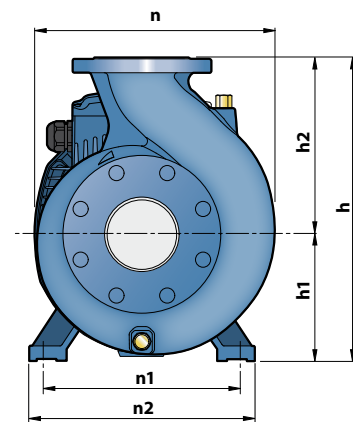
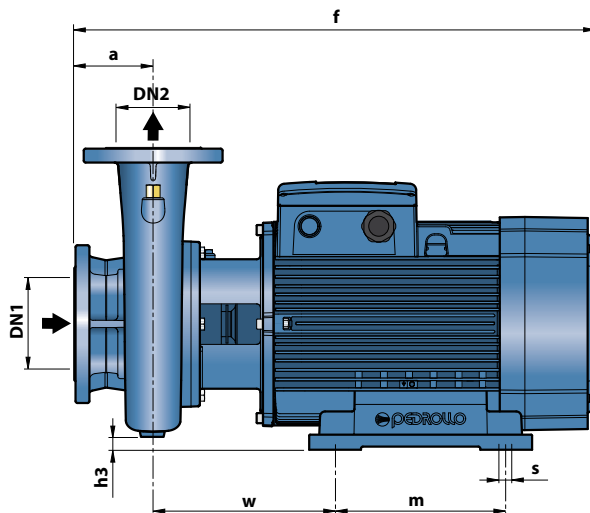
## DIMENSIONS AND WEIGHT



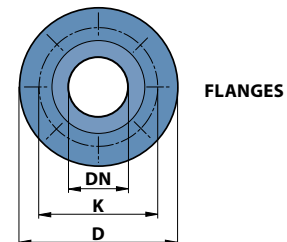
MODEL		PORTS		DIMENSIONS mm											kg *													
Single-phase	Three-phase	DN1	DN2	a	f	h	h1	h2	n	n1	n2	w1	w2	s	1~	3~												
Fm 32/160C	F 32/160C	50	32	80	412	292	132	160	242	190	240	35	35	14	39.2	37.0												
Fm 32/160B	F 32/160B				448/412										42.6	38.5												
-	F 32/160A				448										-	42.6												
-	F 32/200C				469										-	52.0												
-	F 32/200B				515										-	57.0												
-	F 32/200A				515										-	61.0												
-	F 32/200BH				469										-	47.9												
-	F 32/200AH				469										-	51.1												
Fm 40/160C	F 40/160C				65										40	80	448/412	292	132	160	240	212	265	47.5	47.5	14	43.9	40.0
-	F 40/160B																448										-	44.0
-	F 40/160A	465	-	50.1																								
-	F 40/200B	535	-	61.0																								
-	F 40/200A	535	-	67.0																								
-	F 40/250C	606	-	103.0																								
-	F 40/250B	606	-	109.0																								
-	F 40/250A	701	-	125.0																								
Fm 50/125C	F 50/125C	65	50	100		465/431	292	132	160	242	190	240	35	35			14										44.2	40.1
-	F 50/125B					465																					-	44.1
-	F 50/125A				484	-									50.7													
-	F 50/160C				489	-									55.0													
-	F 50/160B				535	340									60.6													
-	F 50/160A				535	340									64.7													
-	F 50/200C				616	160									106.0													
-	F 50/200B				711	360									128.0													
-	F 50/200A				711	360									135.0													
-	F 50/200AR				743	360									147.0													
-	F 50/250D	606	160	106.0																								
-	F 50/250C	606	160	113.4																								
-	F 50/250B	701	405	129.6																								
-	F 50/250A	701	405	146.0																								
-	F 50/250AR	733	405	155.0																								
-	F 65/125C	511	340	62.7																								
-	F 65/125B	557	340	66.8																								
-	F 65/125A	557	340	74.0																								
-	F 65/160C	621	160	100.0																								
-	F 65/160B	621	360	106.5																								
-	F 65/160A	716	360	123.0																								
-	F 65/200B	719	360	128.0																								
-	F 65/200A	719	360	125.0																								
-	F 65/200AR	751	360	153.1																								
-	F 80/160D	652	405	111.5																								
-	F 80/160C	747	405	126.0																								
-	F 80/160B	747	405	143.5																								
-	F 80/160A	779	405	153.0																								
-	F 100/160C	758	480	139.0																								
-	F 100/160B	758	480	153.7																								
-	F 100/160A	790	480	165.0																								

(\*weight includes counterflanges)

### DIMENSIONS AND WEIGHT



DN FLANGES	D mm	K mm	HOLES	
			N°	Ø (mm)
32	140	100	4	18
40	150	110		
50	165	125		
65	185	145		
80	200	160	8	18
100	220	180		
125	250	210		

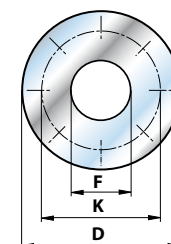


MODEL	PORTS		DIMENSIONS mm											kg *	
	DN1	DN2	a	f	h	h1	h2	h3	n	n1	n2	w	m		s
Three-phase															3~
F 65/250C	80	65	100	796	450	200	250	15	369	318	360	269.5	305	18.5	210.0
F 65/250B				847											230.0
F 65/250A				847											230.0
F 80/200B				824											212.0
F 80/200A	100	80	125	875	430	280	25	360	318	360	269.5	305	18.5	222.5	
F 80/250B				872										245.0	
F 80/250A				1015										497.0	
F 100/200C	125	100	140	824	480	200	280	0	391	318	360	269.5	305	18.5	208.5
F 100/200B				875											239.0
F 100/200A				875											240.0
F 100/250B				1036											498.5
F 100/250A				1036	620	250	280	45	490	400	490	300	350	24	498.5

(\*weight includes counterflanges)

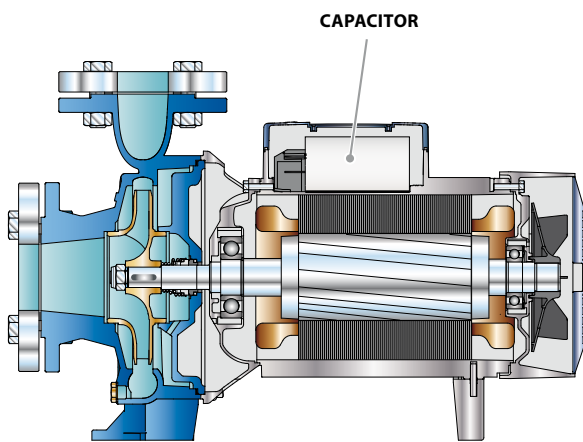
### COUNTERFLANGES

DN FLANGES	F COUNTERFLANGES	D mm	K mm	HOLES	
				N°	Ø (mm)
32	1¼"	140	100	4	18
40	1½"	150	110		
50	2"	165	125		
65	2½"	185	145		
80	3"	200	160	8	18
100	4"	220	180		
125	5"	250	210		

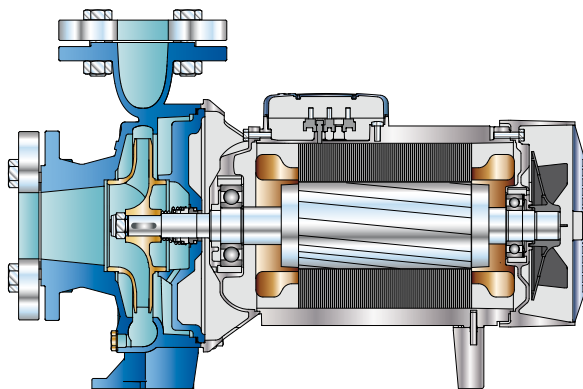


## ABSORPTION

MODEL	VOLTAGE (single-phase)	
	230 V	240 V
Single-phase		
Fm 32/160C	<b>11.0 A</b>	<b>10.0 A</b>
Fm 32/160B	<b>15.0 A</b>	<b>13.8 A</b>
Fm 40/160C	<b>15.0 A</b>	<b>13.8 A</b>
Fm 50/125C	<b>15.0 A</b>	<b>13.8 A</b>



Single-phase version



Three-phase version

MODEL	VOLTAGE (three-phase)		
	230÷240 V	400÷415 V	690÷720 V
Three-phase			
F 32/160C	<b>7.5 A</b>	<b>4.3 A</b>	<b>2.5 A</b>
F 32/160B	<b>10.0 A</b>	<b>5.8 A</b>	<b>3.4 A</b>
F 32/160A	<b>12.0 A</b>	<b>7.3 A</b>	<b>4.2 A</b>
F 32/200C	<b>17.9 A</b>	<b>10.3 A</b>	<b>5.9 A</b>
F 32/200B	–	<b>11.7 A</b>	<b>6.7 A</b>
F 32/200A	–	<b>14.9 A</b>	<b>8.6 A</b>
F 32/200BH	<b>12.6 A</b>	<b>7.3 A</b>	<b>4.2 A</b>
F 32/200AH	<b>15.4 A</b>	<b>8.9 A</b>	<b>5.1 A</b>
F 40/160C	<b>9.9 A</b>	<b>5.7 A</b>	<b>3.3 A</b>
F 40/160B	<b>12.0 A</b>	<b>6.9 A</b>	<b>4.0 A</b>
F 40/160A	<b>17.2 A</b>	<b>9.9 A</b>	<b>5.7 A</b>
F 40/200B	–	<b>12.6 A</b>	<b>7.3 A</b>
F 40/200A	–	<b>15.6 A</b>	<b>9.0 A</b>
F 40/250C	–	<b>21.0 A</b>	<b>12.1 A</b>
F 40/250B	–	<b>23.5 A</b>	<b>13.6 A</b>
F 40/250A	–	<b>30.5 A</b>	<b>17.6 A</b>
F 50/125C	<b>9.4 A</b>	<b>5.4 A</b>	<b>3.1 A</b>
F 50/125B	<b>12.0 A</b>	<b>6.9 A</b>	<b>4.0 A</b>
F 50/125A	<b>16.3 A</b>	<b>9.4 A</b>	<b>5.4 A</b>
F 50/160C	<b>15.8 A</b>	<b>9.1 A</b>	<b>5.3 A</b>
F 50/160B	–	<b>12.3 A</b>	<b>7.1 A</b>
F 50/160A	–	<b>15.5 A</b>	<b>8.9 A</b>
F 50/200C	–	<b>23 A</b>	<b>13.3 A</b>
F 50/200B	–	<b>29.5 A</b>	<b>17 A</b>
F 50/200A	–	<b>34.5 A</b>	<b>20 A</b>
F 50/200AR	–	<b>41.5 A</b>	<b>24 A</b>
F 50/250D	–	<b>17.2 A</b>	<b>9.9 A</b>
F 50/250C	–	<b>21.0 A</b>	<b>12.0 A</b>
F 50/250B	–	<b>27.0 A</b>	<b>15.6 A</b>
F 50/250A	–	<b>34.0 A</b>	<b>19.6 A</b>
F 50/250AR	–	<b>41.0 A</b>	<b>24.0 A</b>
F 65/125C	<b>17.5 A</b>	<b>10.0 A</b>	<b>5.8 A</b>
F 65/125B	–	<b>12.0 A</b>	<b>7.0 A</b>
F 65/125A	–	<b>16.5 A</b>	<b>9.5 A</b>
F 65/160C	–	<b>19.0 A</b>	<b>11.0 A</b>
F 65/160B	–	<b>23.0 A</b>	<b>13.5 A</b>
F 65/160A	–	<b>27.5 A</b>	<b>16.0 A</b>
F 65/200B	–	<b>31.0 A</b>	<b>18.0 A</b>
F 65/200A	–	<b>34.0 A</b>	<b>19.5 A</b>
F 65/200AR	–	<b>41.0 A</b>	<b>23.7 A</b>
F 65/250C	–	<b>53.0 A</b>	<b>31.0 A</b>
F 65/250B	–	<b>65.0 A</b>	<b>38.0 A</b>
F 65/250A	–	<b>79.0 A</b>	<b>46.0 A</b>
F 80/160D	–	<b>22.0 A</b>	<b>13.0 A</b>
F 80/160C	–	<b>29.0 A</b>	<b>17.0 A</b>
F 80/160B	–	<b>34.5 A</b>	<b>20.0 A</b>
F 80/160A	–	<b>39.0 A</b>	<b>22.5 A</b>
F 80/200B	–	<b>53.0 A</b>	<b>31.0 A</b>
F 80/200A	–	<b>65.0 A</b>	<b>38.0 A</b>
F 80/250B	–	<b>79.0 A</b>	<b>46.0 A</b>
F 80/250A	–	<b>98.0 A</b>	<b>57.0 A</b>
F 100/160C	–	<b>31.0 A</b>	<b>18.0 A</b>
F 100/160B	–	<b>36.0 A</b>	<b>21.0 A</b>
F 100/160A	–	<b>42.0 A</b>	<b>24.0 A</b>
F 100/200C	–	<b>53.0 A</b>	<b>31.0 A</b>
F 100/200B	–	<b>65.0 A</b>	<b>38.0 A</b>
F 100/200A	–	<b>79.0 A</b>	<b>46.0 A</b>
F 100/250B	–	<b>98.0 A</b>	<b>57.0 A</b>
F 100/250A	–	<b>126.0A</b>	<b>73.0 A</b>

## PALLETIZATION

MODEL		GROUPAGE				CONTAINER			
Single-phase	Three-phase	n° pumps	H (mm)	kg		n° pumps	H (mm)	kg	
				1~	3~			1~	3~
Fm 32/160C	F 32/160C	18	1430	730	683	24	1860	967	905
Fm 32/160B	F 32/160B	18	1430	781	707	24	1860	1036	936
-	F 32/160A	18	1430	-	784	24	1860	-	1040
-	F 32/200C	12	1535	-	641	16	2000	-	849
-	F 32/200B	12	1535	-	701	16	2000	-	929
-	F 32/200A	12	1535	-	749	16	2000	-	993
-	F 32/200BH	12	1535	-	591	16	2000	-	783
-	F 32/200AH	12	1535	-	629	16	2000	-	833
Fm 40/160C	-	12	1400	509	-	16	1820	673	-
-	F 40/160C	18	1430	-	735	24	1860	-	975
-	F 40/160B	18	1430	-	809	24	1860	-	1073
-	F 40/160A	12	1400	-	617	16	1820	-	817
-	F 40/200B	12	1535	-	749	16	2000	-	993
-	F 40/200A	12	1535	-	821	16	2000	-	1089
-	F 40/250C	6	1200	-	635	9	1730	-	944
-	F 40/250B	6	1200	-	671	9	1730	-	998
-	F 40/250A	6	1200	-	767	9	1730	-	1142
Fm 50/125C	-	18	1430	820	-	24	1860	1088	-
-	F 50/125C	12	1400	-	498	16	1820	-	659
-	F 50/125B	18	1430	-	810	24	1860	-	1075
-	F 50/125A	12	1535	-	625	16	2000	-	828
-	F 50/160C	12	1535	-	677	16	2000	-	897
-	F 50/160B	12	1535	-	744	16	2000	-	987
-	F 50/160A	12	1535	-	793	16	2000	-	1052
-	F 50/200C	6	1200	-	653	9	1730	-	971
-	F 50/200B	6	1200	-	785	9	1730	-	1169
-	F 50/200A	6	1200	-	827	9	1730	-	1232
-	F 50/200AR	6	1380	-	899	9	2000	-	1340
-	F 50/250D	6	1200	-	653	9	1730	-	971
-	F 50/250C	6	1200	-	697	9	1730	-	1037
-	F 50/250B	6	1200	-	794	9	1730	-	1183
-	F 50/250A	6	1200	-	893	9	1730	-	1331
-	F 50/250AR	6	1380	-	947	9	2000	-	1412
-	F 65/125C	12	1535	-	769	16	2000	-	1020
-	F 65/125B	12	1535	-	818	16	2000	-	1085
-	F 65/125A	12	1535	-	905	16	2000	-	1201
-	F 65/160C	6	1200	-	617	9	1730	-	917
-	F 65/160B	6	1200	-	656	9	1730	-	976
-	F 65/160A	6	1200	-	755	9	1730	-	1018
-	F 65/200B	6	1200	-	785	9	1730	-	1169
-	F 65/200A	6	1200	-	767	9	1730	-	1142
-	F 65/200AR	6	1380	-	936	9	2000	-	1395
-	F 65/250C	1	450	-	227	-	-	-	-
-	F 65/250B	1	450	-	247	-	-	-	-
-	F 65/250A	1	450	-	247	-	-	-	-
-	F 80/160D	6	1200	-	686	9	1730	-	1021
-	F 80/160C	6	1380	-	773	9	2000	-	1151
-	F 80/160B	6	1380	-	878	9	2000	-	1309
-	F 80/160A	6	1380	-	935	9	2000	-	1394
-	F 80/200B	1	450	-	229	-	-	-	-
-	F 80/200A	1	450	-	240	-	-	-	-
-	F 80/250B	1	450	-	262	-	-	-	-
-	F 80/250A	1	770	-	514	-	-	-	-
-	F 100/160C	6	1380	-	851	9	2000	-	1256
-	F 100/160B	6	1380	-	939	9	2000	-	1437
-	F 100/160A	6	1380	-	1007	9	2000	-	1502
-	F 100/200C	1	450	-	226	-	-	-	-
-	F 100/200B	1	450	-	256	-	-	-	-
-	F 100/200A	1	450	-	257	-	-	-	-
-	F 100/250B	1	770	-	516	-	-	-	-
-	F 100/250A	1	770	-	516	-	-	-	-

