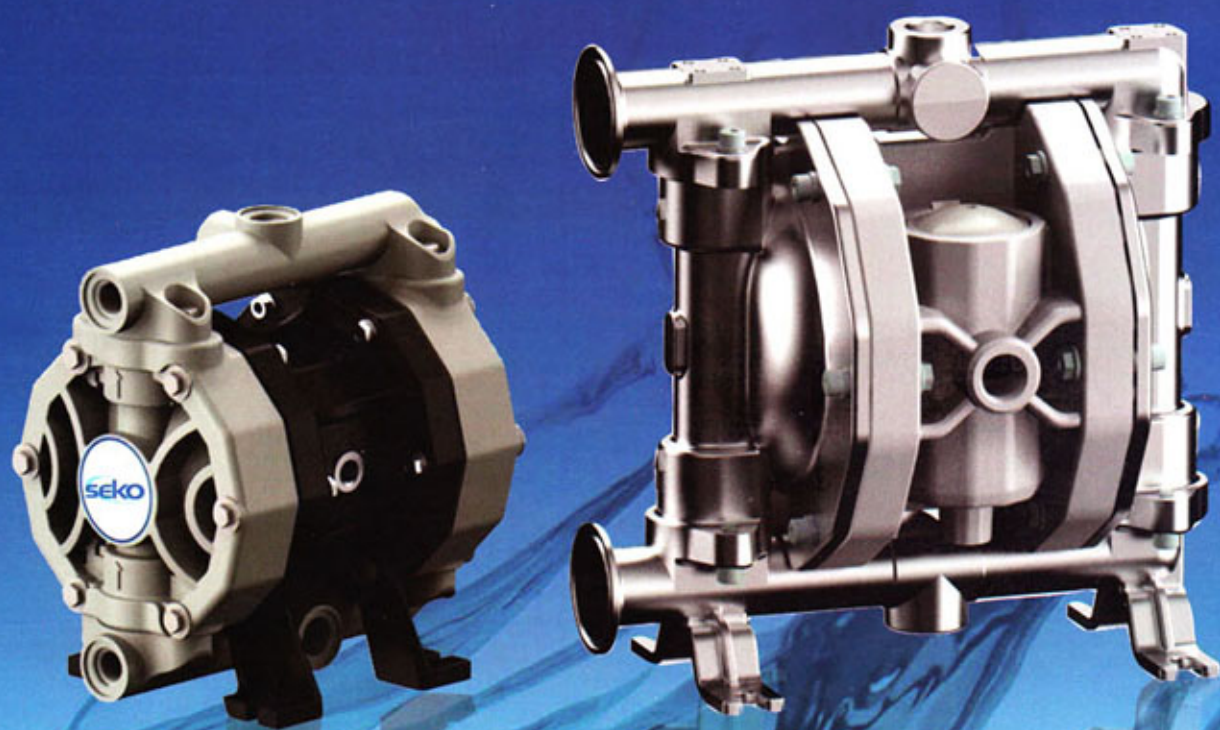


Duotek Series

AIR OPERATED DOUBLE DIAPHRAGM PUMPS



innovation > technology > future

Duotek

Air operated double diaphragm pumps.

The draft of the SEKO's new double diaphragm pumps, it is mainly developed around the air distribution system, the diaphragm's high technology, the pumping chambers geometry and the valves system; this in order to extend the functionality, not only for transfer but also for dosing. The result is an innovative product with next-generation solutions.

MAIN FEATURES

- . construction's materials: PP,PVDF, AISI 316, ALUMINIUM
- . Self-priming up to 6m
- . Unlimited dry running
- . Anti-stall pneumatic circuit , easy to maintain
- . possibility to adjust: flow-rate, head and speed
- . various installations and configurations
- . ATEX certifications for Zone 1 and 2 in all versions
- . air-discharge's cover with connections for various uses

- a DELIVERY MANIFOLD
- b SUCTION MANIFOLD
- c ASTABLE AIR EXCHANGER
- d PUMPING CHAMBER
- e DIAPHRAGMS
- f BALL VALVE

ASTABLE SYSTEM INTERNAL PNEUMATIC EXCHANGER AF18 - AF50



ASTABLE SYSTEM EXTERNAL PNEUMATIC EXCHANGER AF65 - AF100 - AF160 - AF250 - AF500 - AF700



INSTALLATION

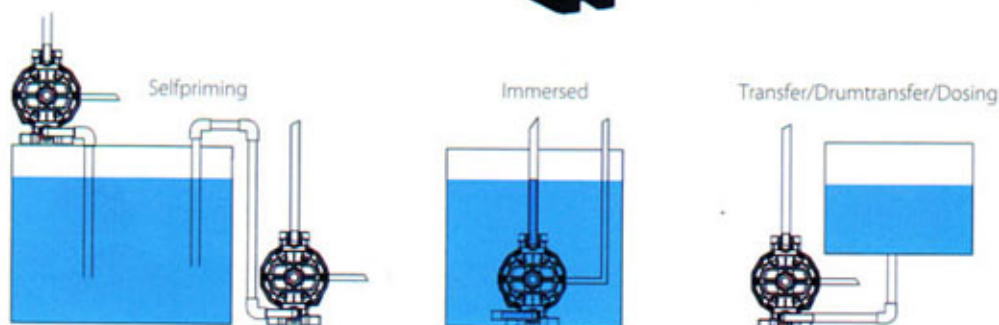
the maximum viscosity are:

drum transfer = max. viscosity
10.000 cps at 20° C

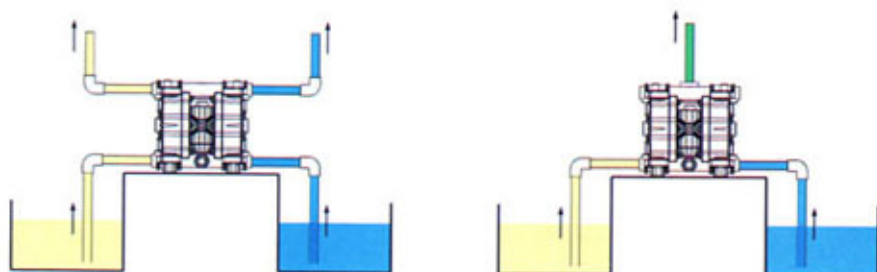
self-priming = max. viscosity
10.000 cps at 20° C

under uid level = max.
viscosity 50.000 cps at 20° C


immersed = max. viscosity
50.000 cps at 20° C



ON REQUEST: POSSIBILITY TO DOUBLE THE MANIFOLDS IN SUCTION AND IN DELIVERY



PUMPS COMPOSITION

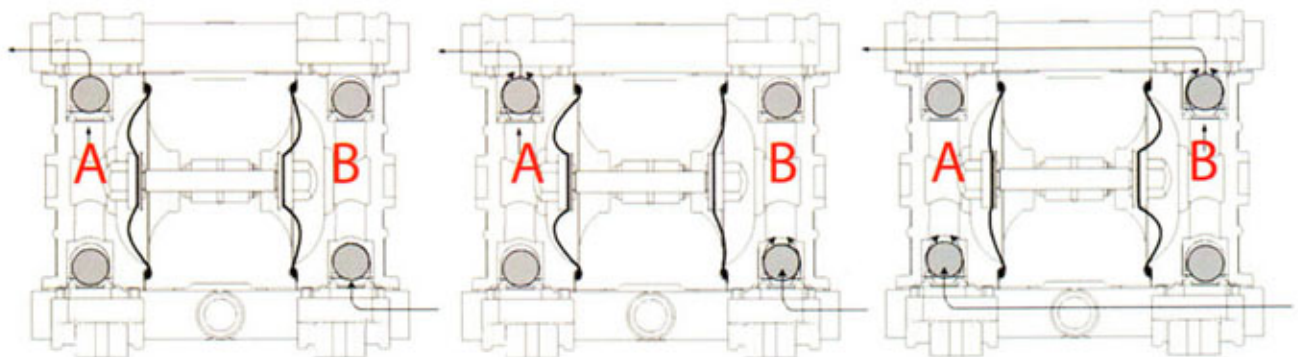
PUMP MODEL	TYPE ATEX 	SERIES	PUMP BODY	AIR DIAPHRAGM	FLUID DIAPHRAGM	BALLS	BALL SEATS	O-RINGS	CONNECTIONS
AF	X0 - ATEX ZONE 1	0018	P - POLYPROPYLENE	H - HYTREL	T - PTFE	T - PTFE	P - POLYPROPYLENE	D - EPDM	1 - BSP THREADED
	00 - ATEX ZONE 2	0050	POLYPROPYLENE +CF WITH ATEX ZONE 1	M - SANTOPRENE		S - SS AISI 316	K - PVDF	V - FPM	2 - FLANGED
		0065	A - ALUMINUM	D - EPDM		D - EPDM	S - SS AISI 316	T - PTFE	3 - CLAMP
		0100	S - SS316L	N - NBR		N - NBR	A - ALUMINUM	N - NBR	4 - TWIN CONNECTION
		0160	M - POM				Z - PE-UHMW		5 - NPT THREADED
		0250	POM+CF WITH ATEX ZONE 1						
		0500	K - PVDF						
		0700	PVDF+CF WITH ATEX ZONE 1						
	1000								

OPERATING PRINCIPLE

The pneumatic distribution system sends compressed air behind one of the two diaphragms (A), which pushes the fluid towards the delivery circuit.

Simultaneously, the opposing diaphragm (B) is located, creating a vacuum in the chamber B, in the suction phase, moved from the shaft that connect the diaphragm to the other (A). In this way the product is sucked from the intake manifold, thanks to de-pressure created in the fluid chamber.

When the diaphragm (A), under pressure, reaches the limit of the stroke the distributor switches the two inputs, and the cycle starts again. At the same time, the balls open and close, alternating the chamber A and B, in the closed situation for suction and open delivery in the situation.



Ex Duotek - zone 2 II 3/3 GD c IIB T135°C
 Duotek Atex - zone 1 II 2/2 GD c IIB T135°C

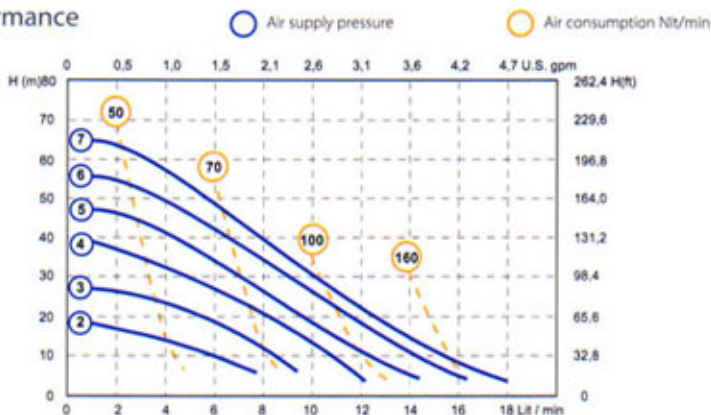


PP

Technical data

Connections	3/8" BSP	Air connection	6 mm
Max flow rate	18 l/min	Max self priming capacity	6 m
Max head	70 m	Diameter of passing solids	2,5 mm
Max pressure	7 bar		

Performance



* The curves and performance values refer to pumps with submerged suction and a free delivery outlet with water at 20°C, and vary according to the construction material.



PVDF+CF

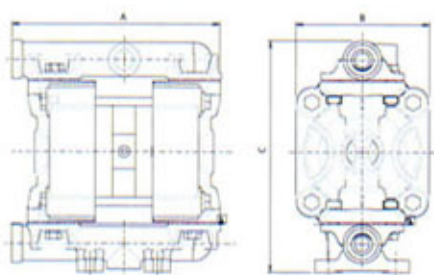


POMc



AISI 316

Dimensions



	PP	PVDF	POMc	AISI 316
A (mm)	145	145	145	145
B (mm)	95	95	95	95
C (mm)	160	160	160	160
Weight (kg)	2	2,5	2	3
MAX Temperature	65°	95°	95°	95°

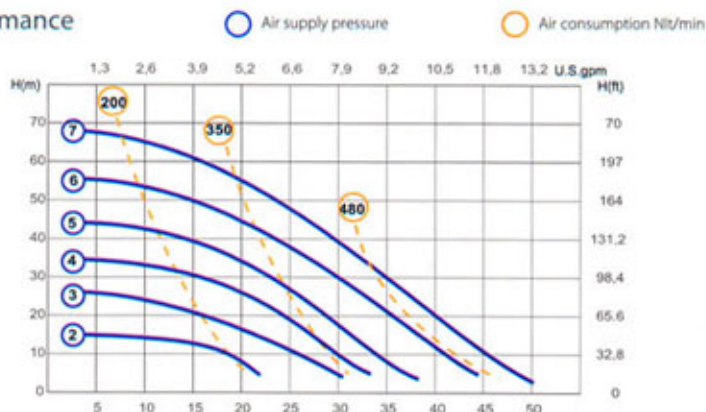
AF**0050

Ex Duotek - zone 2 II 3/3 GD c IIB T135°C
 Duotek Atex - zone 1 II 2/2 GD c IIB T135°C

Technical data

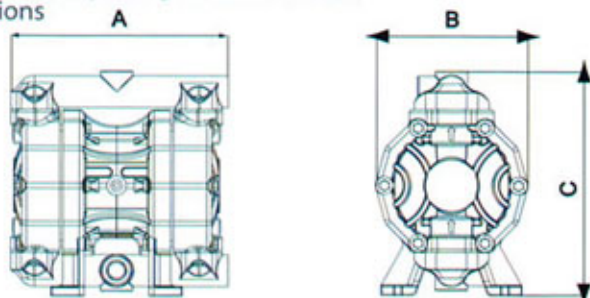
Connections	1/2" BSP	Air connection	1/4" BSP
Max flow rate	50 l/min	Max self priming capacity	6 m
Max head	70 m	Diameter of passing solids	3 mm
Max pressure	7 bar		

Performance



* The curves and performance values refer to pumps with submerged suction and a free delivery outlet with water at 20°C, and vary according to the construction material.

Dimensions



PP



PVDF+CF



Alu



AISI 316

	PP	PVDF	Alu	AISI 316
A (mm)	222	222	225	225
B (mm)	156	156	156	156
C (mm)	233	233	230	230
Weight (kg)	4	4,5	5	6
MAX Temperature	65°	95°	95°	95°

ISO-ANSI flanged connections on request

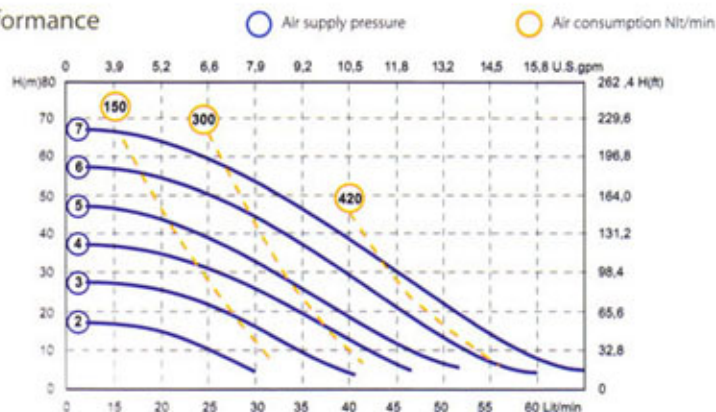
AF**0065

Duotek - zone 2 II 3/3 GD c IIB T135°C
Duotek Atex - zone 1 II 2/2 GD c IIB T135°C

Technical data

Connections	1/2" BSP	Air connection	1/2" BSP
Max flow rate	65 l/min	Max self priming capacity	6 m
Max head	70 m	Diameter of passing solids	3,5 mm
Max pressure	7 bar		

Performance



* The curves and performance values refer to pumps with submerged suction and a free delivery outlet with water at 20°C, and vary according to the construction material.



PVDF+CF

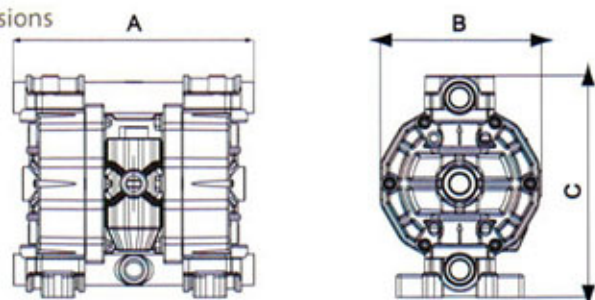


Alu



AISI 316

Dimensions



	PP	PVDF	Alu	AISI 316
A (mm)	265	265	265	250
B (mm)	175	175	175	175
C (mm)	245	245	245	250
Weight (kg)	6,5	7	7	9
MAX Temperature	65°	95°	95°	95°

ISO-ANSI flanged connections on request



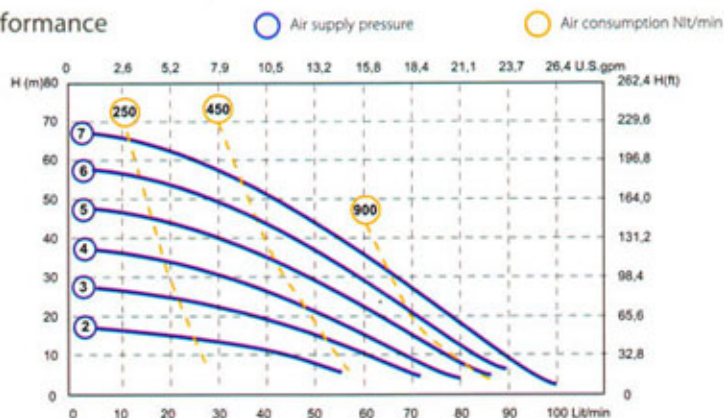
Duotek - zone 2 II 3/3 GD c IIB T135°C
Duotek Atex - zone 1 II 2/2 GD c IIB T135°C

AF**0100

Technical data

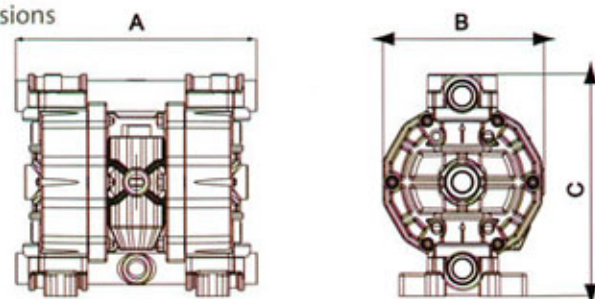
Connections	3/4" BSP	Air connection	1/2" BSP
Max flow rate	100 l/min	Max self priming capacity	6 m
Max head	70 m	Diameter of passing solids	3,5 mm
Max pressure	7 bar		

Performance



* The curves and performance values refer to pumps with submerged suction and a free delivery outlet with water at 20°C, and vary according to the construction material.

Dimensions



	PP	PVDF	Alu	AISI 316
A (mm)	265	265	265	250
B (mm)	175	175	175	175
C (mm)	245	245	245	250
Weight (kg)	6,5	7	7	9
MAX Temperature	65°	95°	95°	95°

ISO-ANSI flanged connections on request

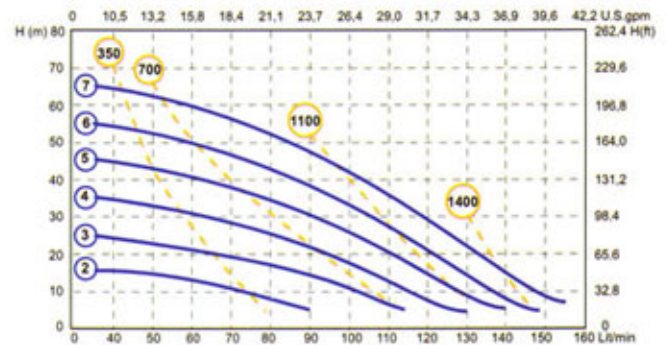
Ex Duotek - zone 2 **II** 3/3 GD c IIB T135°C
 Duotek Atex - zone 1 **II** 2/2 GD c IIB T135°C

Technical data

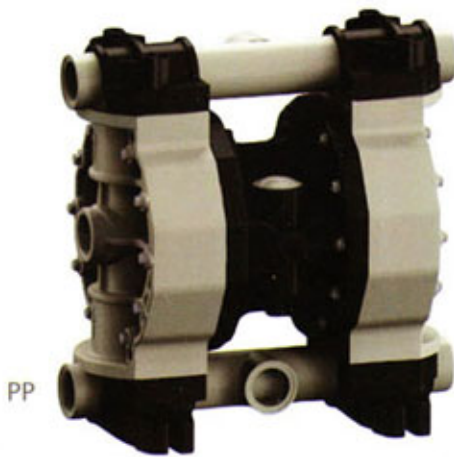
Connections	1" BSP	Air connection	1/2" BSP
Max flow rate	160 l/min	Max self priming capacity	6 m
Max head	70 m	Diameter of passing solids	7,5 mm
Max pressure	7 bar		

Performance

○ Air supply pressure ○ Air consumption Nlt/min



* The curves and performance values refer to pumps with submerged suction and a free delivery outlet with water at 20°C, and vary according to the construction material.



PP



PVDF+CF

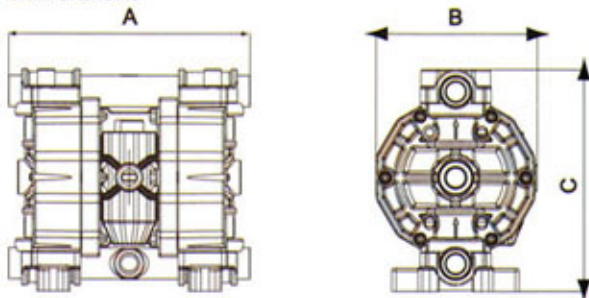


Alu



AISI 316

Dimensions



	PP	PVDF	Alu	AISI 316
A (mm)	370	370	370	360
B (mm)	220	220	220	220
C (mm)	364	364	364	365
Weight (kg)	15	16	16	20
MAX Temperature	65°	95°	95°	95°

ISO-ANSI flanged connections on request

AF**0250

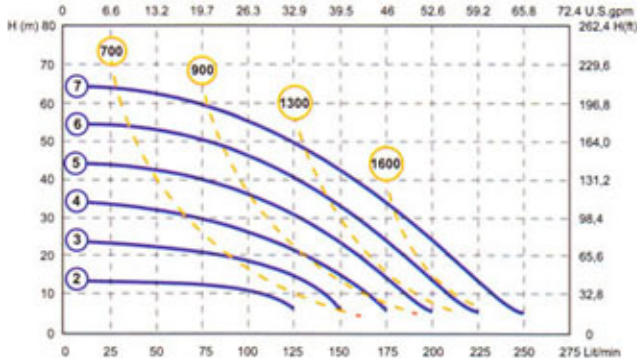
Ex Duotek - zone 2 **II** 3/3 GD c IIB T135°C
 Duotek Atex - zone 1 **II** 2/2 GD c IIB T135°C

Technical data

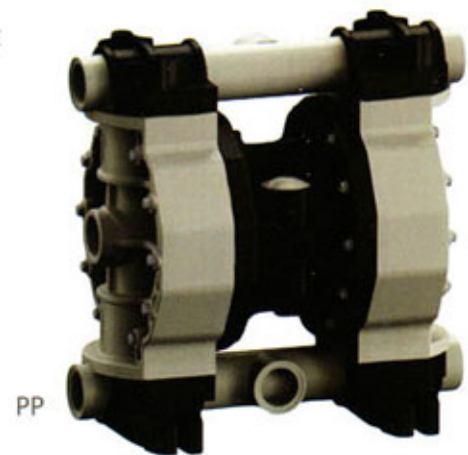
Connections	1 1/4" BSP	Air connection	1/2" BSP
Max flow rate	250 l/min	Max self priming capacity	6 m
Max head	70 m	Diameter of passing solids	7,5 mm
Max pressure	7 bar		

Performance

○ Air supply pressure ○ Air consumption Nlt/min



* The curves and performance values refer to pumps with submerged suction and a free delivery outlet with water at 20°C, and vary according to the construction material.



PP



PVDF+CF

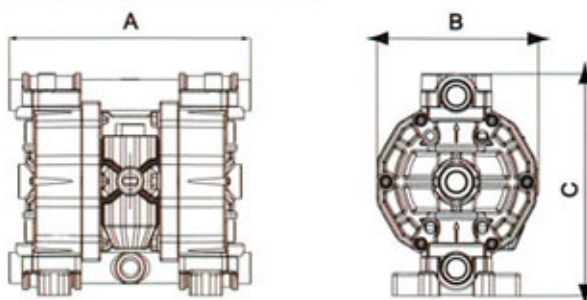


Alu



AISI 316

Dimensions



	PP	PVDF	Alu	AISI 316
A (mm)	370	370	370	360
B (mm)	220	220	220	220
C (mm)	364	364	364	365
Weight (kg)	15	16	16	20
MAX Temperature	65°	95°	95°	95°

ISO-ANSI flanged connections on request

Ex Duotek - zone 2 ⚡ II 3/3 GD c IIB T135°C
 Duotek Atex - zone 1 ⚡ II 2/2 GD c IIB T135°C



PP



PVDF+CF



Alu

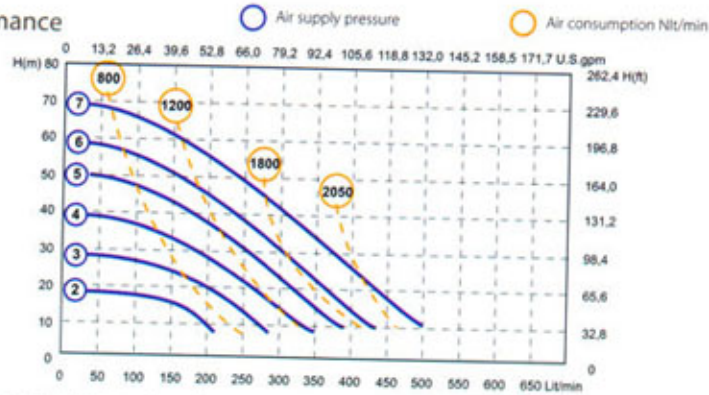


AISI 316

Technical data

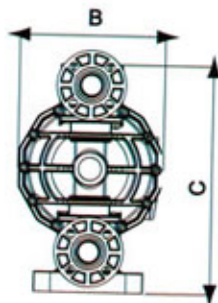
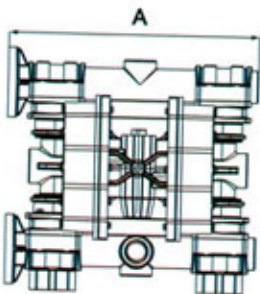
Connections	DN40 (1 1/2" BSP)*	Air connection	3/4" BSP
Max flow rate	500 l/min	Max self priming capacity	6 m
Max head	70 m	Diameter of passing solids	8,5 mm
Max pressure	7 bar		

Performance



* The curves and performance values refer to pumps with submerged suction and a free delivery outlet with water at 20°C, and vary according to the construction material.

Dimensions



	PP	PVDF	Alu	AISI 316
A (mm)	595	595	595	582
B (mm)	340	340	340	345
C (mm)	565	565	245	570
Weight (kg)	30	30	35	58
MAX Temperature	65°	95°	95°	95°

(*) Threaded connections on request

AF**0700



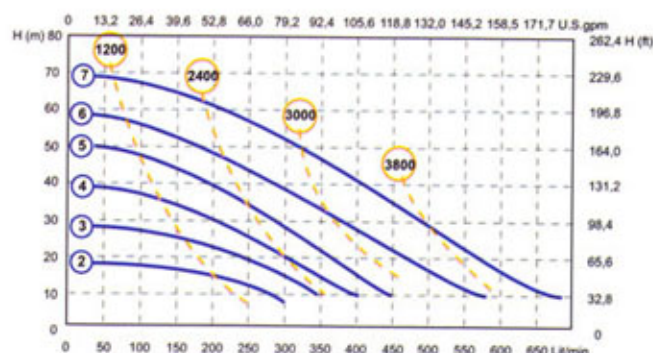
Duotek - zone 2 ⚡ II 3/3 GD c IIB T135°C
Duotek ATEX - zone 1 ⚡ II 2/2 GD c IIB T135°C

Technical data

Connections	DN50 (2" BSP)*	Air connection	3/4" BSP
Max flow rate	680 l/min	Max self priming capacity	6 m
Max head	70 m	Diameter of passing solids	8,5 mm
Max pressure	7 bar		

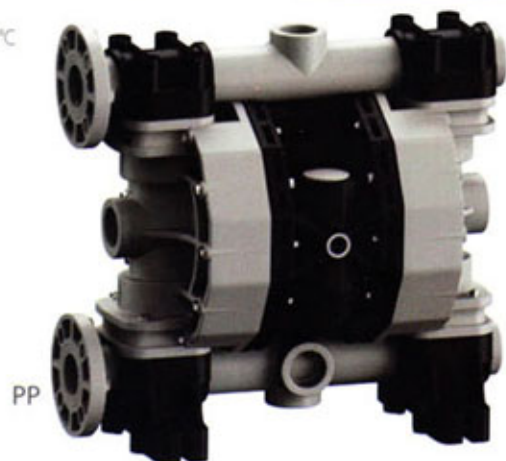
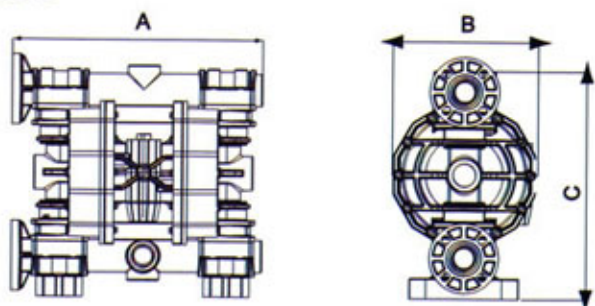
Performance

○ Air supply pressure ○ Air consumption Nlt/min



* The curves and performance values refer to pumps with submerged suction and a free delivery outlet with water at 20°C, and vary according to the construction material.

Dimensions



PVDF+CF



Alu



AISI 316

	PP	PVDF	Alu	AISI 316
A (mm)	595	595	595	582
B (mm)	340	340	340	345
C (mm)	572	572	572	570
Weight (kg)	31	36	36	60
MAX Temperature	65°	95°	95°	95°

(*) Threaded connections on request



PP



Alu



AISI 316



Duotek - zone 2 ⚡ II 3/3 GD c IIB T135°C
Duotek ATEX - zone 1 ⚡ II 2/2 GD c IIB T135°C

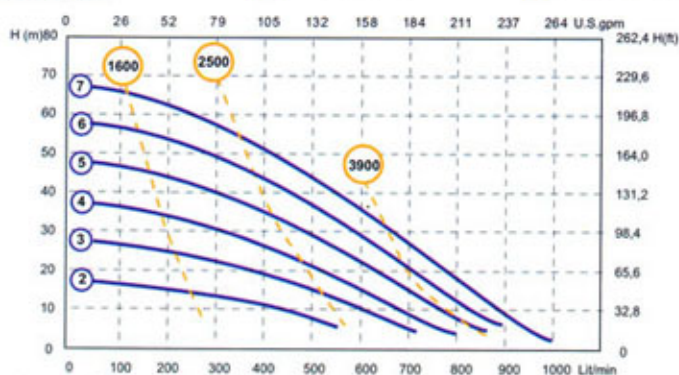
AF**1000

Technical data

Connections	DN80 (3" BSP)*	Air connection	3/4" BSP
Max flow rate	1000 l/min	Max self priming capacity	6 m
Max head	70 m	Diameter of passing solids	10 mm
Max pressure	7 bar		

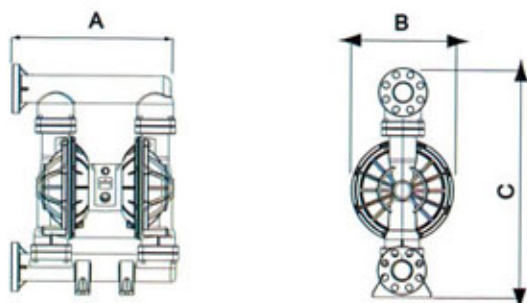
Performance

○ Air supply pressure ○ Air consumption Nlt/min



* The curves and performance values refer to pumps with submerged suction and a free delivery outlet with water at 20°C, and vary according to the construction material.

Dimensions



	PP	Alu	AISI 316
A (mm)	595	595	582
B (mm)	340	340	345
C (mm)	572	572	570
Weight (kg)	31	36	60
MAX Temperature	65°	95°	95°

Duotek Food & Sani Duotek

Double diaphragm pumps for food, pharmaceutical and cosmetics industry.



The air-operated double diaphragm pumps series FOOD Duotek, thanks to their structural characteristics, can be used to pump products used in food and cosmetics industry.

The air-operated double diaphragm pumps series Duotek FOOD, are made with FDA certified construction materials.

The parts in contact with the fluid, in fact, are exclusively electro-polished AISI 316 and PTFE, both certified for food use.

These pumps are able to handling fluids with very high viscosity and temperature up to 95° C.

MAIN FEATURES

- . Construction's materials: Electro-polished AISI 316, medium roughness is 2,7 μ m.
- . Self-priming up to 6m
- . Unlimited dry running
- . Anti-stall pneumatic circuit , easy to maintain
- . Possibility to adjust: flow-rate, head and speed
- . Various installations and configurations
- . ATEX certifications for Zone 1 and 2 in all versions
- . Air-discharge's cover with connections for various uses
- . Suction and delivery connection with CLAMP

FDA
compliant

DUOTEK FOOD

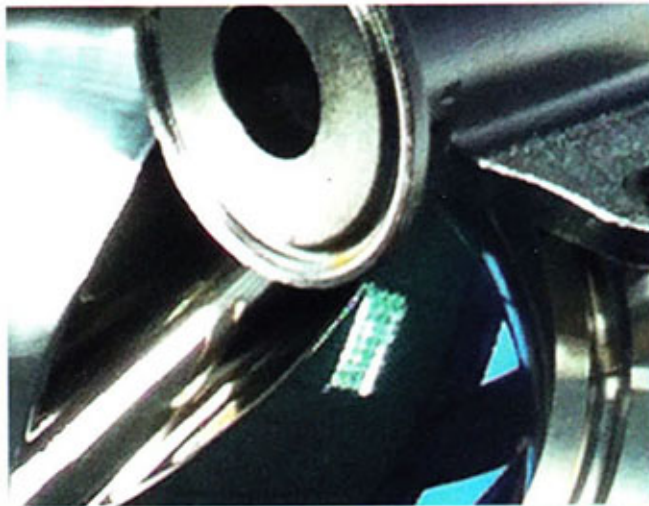
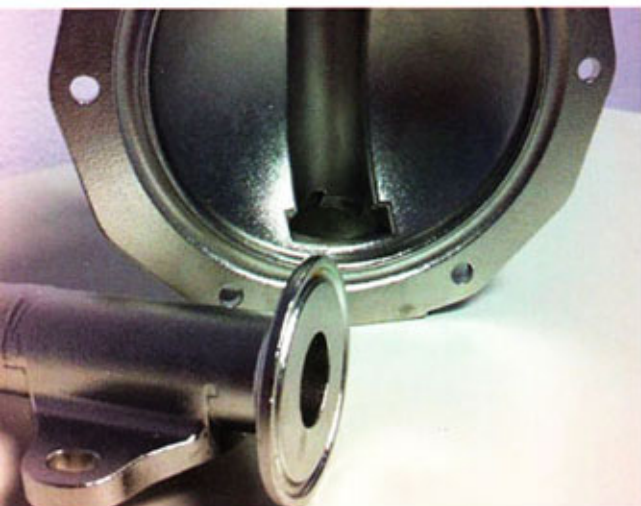
Material: Stainless steel AISI 316 Electropolished.

Average roughness of 2.7 μ m

SANI DUOTEK

Material: Stainless steel AISI 316 mechanically polished.

Roughness of 0,4 μ m






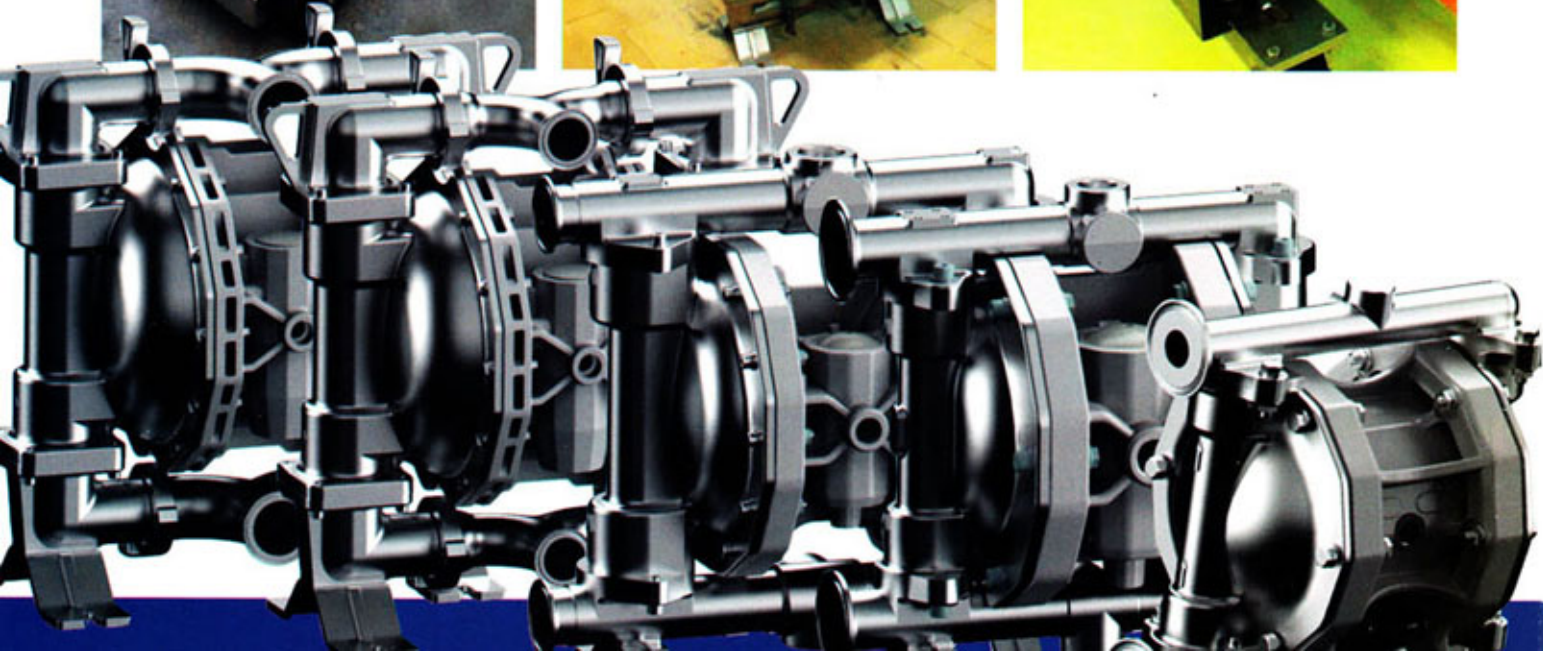
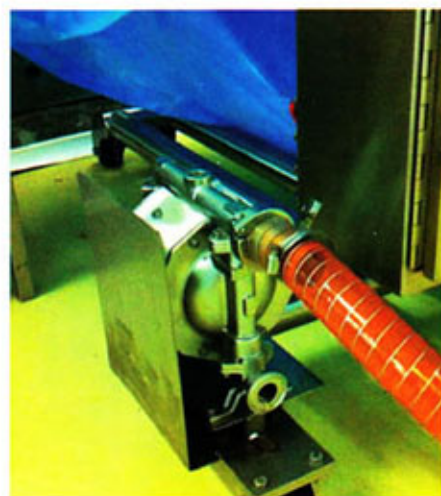
FDA

compliant

- a DELIVERY MANIFOLD
- b SUCTION MANIFOLD
- c ASTABLE AIR EXCHANGER
- d PUMPING CHAMBER
- e DIAPHRAGMS
- f BALL VALVE

PUMPS COMPOSITION

PUMP MODEL	TYPE ATEX 	SERIES	PUMP BODY	AIR DIAPHRAGM	FLUID DIAPHRAGM	BALLS	BALL SEATS	O-RINGS	CONNECTIONS
AF	XF - ATEX ZONE 1 / FDA COMPLIANT	0018	S - AISI 316	H - HYTREL	T - PTFE	T - PTFE	S - AISI 316 SS	T - PTFE	1 - BSP THREADED 2 - FLANGED 3 - CLAMP
		0050	PF: ELECTROPOLISHED						
	OF - ATEX ZONE 2 / FDA COMPLIANT	0100	SP: MECHANICALLY POLISHED						
		0160							
		0500							
XS - ATEX ZONE 1 / SANI FDA COMPLIANT	0700								
	1000								

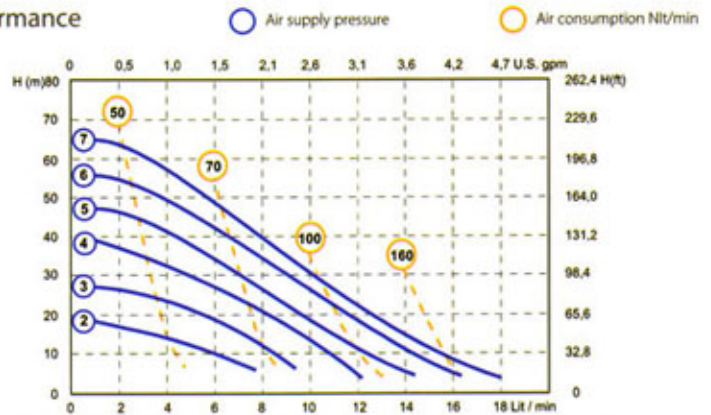




Technical data

Connections	CLAMP da 3/4"	Air connection	6 mm
Max flow rate	18 l/min	Max self priming capacity	6 m
Max head	70 m	Diameter of passing solids	2,5 mm
Max pressure	7 bar		

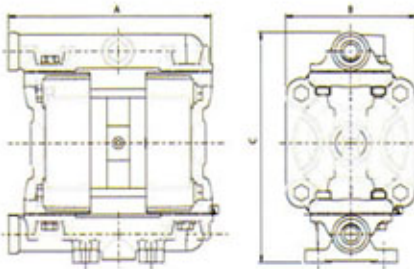
Performance



* The curves and performance values refer to pumps with submerged suction and a free delivery outlet with water at 20°C, and vary according to the construction material.

AISI 316 electropolished or mechanically polished

Dimensions



AISI 316	
A (mm)	145
B (mm)	95
C (mm)	160
Weight (kg)	2,5
MAX Temperature	95°

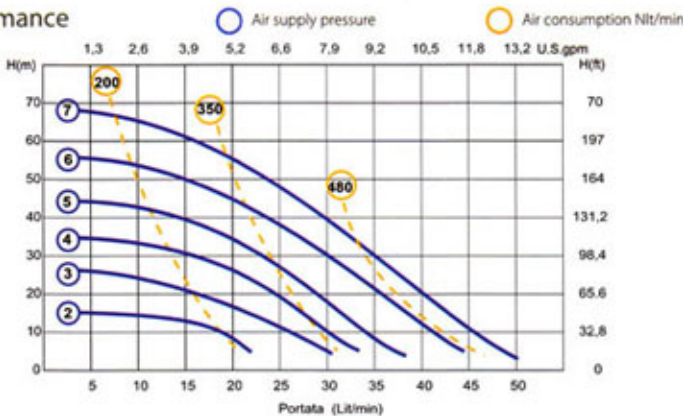
AF**0050

DF/SD - zone 2 II 3/3 GD c IIB T135°C
 DF/SD Atex - zone 1 II 2/2 GD c IIB T135°C

Technical data

Connections	CLAMP da 1"	Air connection	1/4" BSP
Max flow rate	50 l/min	Max self priming capacity	6 m
Max head	70 m	Diameter of passing solids	3 mm
Max pressure	7 bar		

Performance

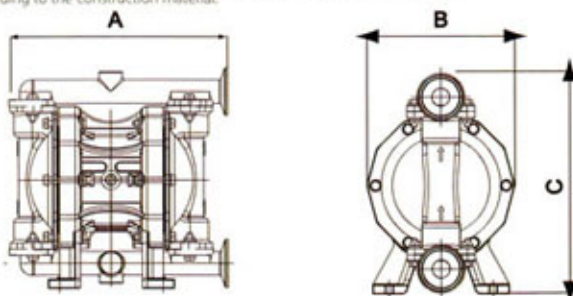


* The curves and performance values refer to pumps with submerged suction and a free delivery outlet with water at 20°C, and vary according to the construction material.



AISI 316 electropolished or mechanically polished

Dimensions



AISI 316	
A (mm)	225
B (mm)	156
C (mm)	230
Weight (kg)	6
MAX Temperature	95°

AF**0100

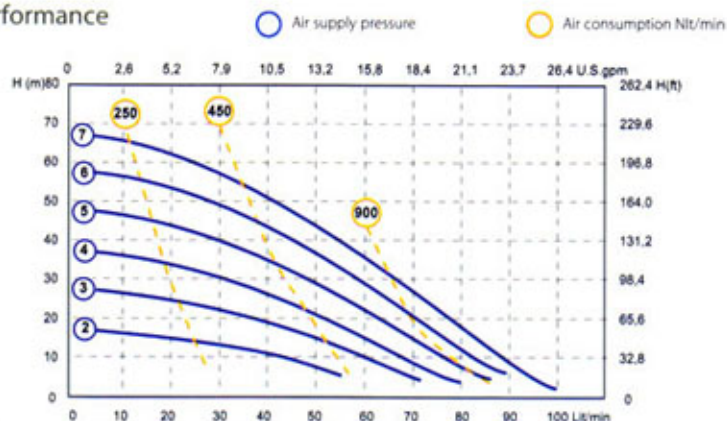
Ex DF/SD - zone 2 II 3/3 GD c IIB T135°C
DF/SD Atex - zone 1 II 2/2 GD c IIB T135°C



Technical data

Connections	CLAMP da 1"	Air connection	3/8" BSP
Max flow rate	100 l/min	Max self priming capacity	6 m
Max head	70 m	Diameter of passing solids	3,5 mm
Max pressure	7 bar		

Performance

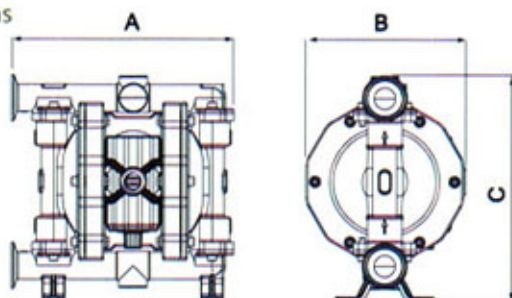


* The curves and performance values refer to pumps with submerged suction and a free delivery outlet with water at 20°C, and vary according to the construction material.



AISI 316 electropolished or mechanically polished

Dimensions



	AISI 316
A (mm)	250
B (mm)	175
C (mm)	250
Weight (kg)	9
MAX Temperature	95°



Ex DF/SD - zone 2 II 3/3 GD c IIB T135°C
DF/SD Atex - zone 1 II 2/2 GD c IIB T135°C

AF**0160



Technical data

Connections	CLAMP da 1 1/2"	Air connection	1/2" BSP
Max flow rate	160 l/min	Max self priming capacity	6 m
Max head	70 m	Diameter of passing solids	7,5 mm
Max pressure	7 bar		

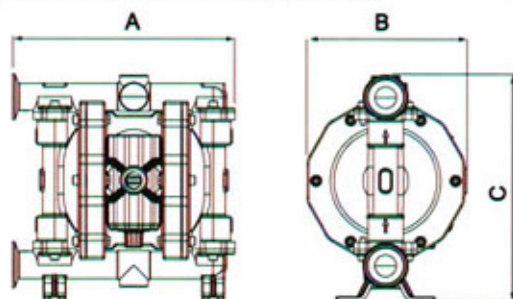
Performance



* The curves and performance values refer to pumps with submerged suction and a free delivery outlet with water at 20°C, and vary according to the construction material.

AISI 316 electropolished or mechanically polished

Dimensions



	AISI 316
A (mm)	360
B (mm)	220
C (mm)	365
Weight (kg)	20
MAX Temperature	95°

 DF/SD - zone 2 II 3/3 GD c IIB T135°C
 DF/SD ATEX - zone 1 II 2/2 GD c IIB T135°C



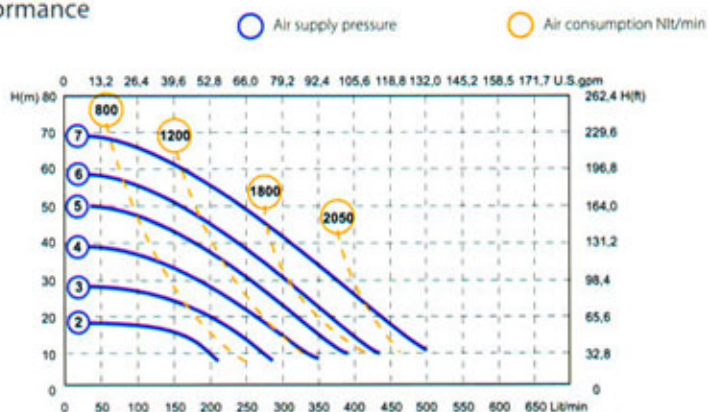
FDA
compliant

AISI 316 electropolished or mechanically polished

Technical data

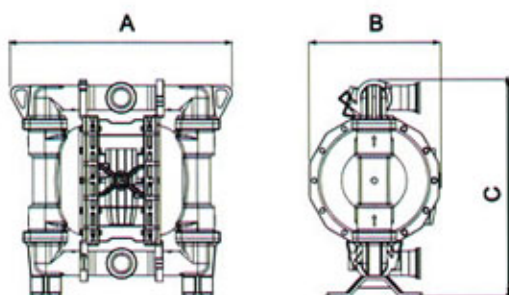
Connections	CLAMP da 2"	Air connection	3/4" BSP
Max flow rate	500 l/min	Max self priming capacity	6 m
Max head	70 m	Diameter of passing solids	8,5 mm
Max pressure	7 bar		

Performance



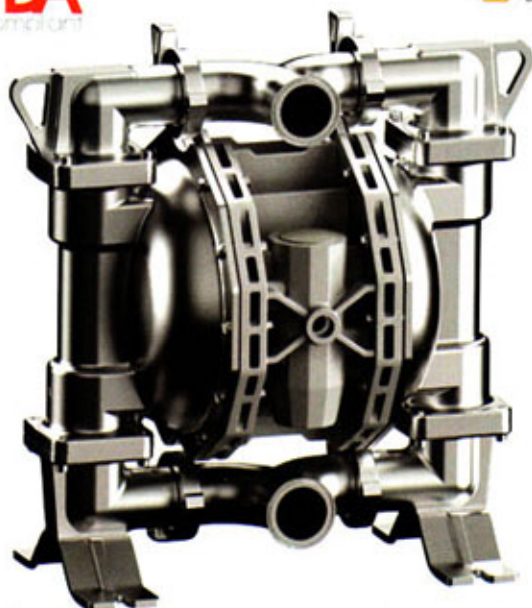
* The curves and performance values refer to pumps with submerged suction and a free delivery outlet with water at 20°C, and vary according to the construction material.

Dimensions



AISI 316

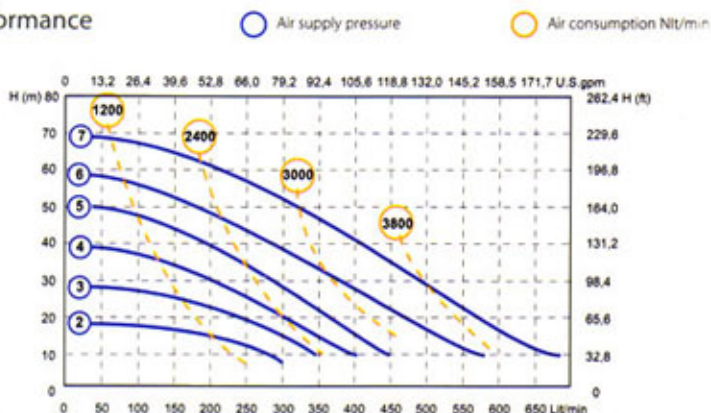
A (mm)	582
B (mm)	345
C (mm)	570
Weight (kg)	58
MAX Temperature	95°



Technical data

Connections	CLAMP da 2 1/2"	Air connection	3/4" BSP
Max flow rate	680 l/min	Max self priming capacity	6 m
Max head	70 m	Diameter of passing solids	8,5 mm
Max pressure	7 bar		

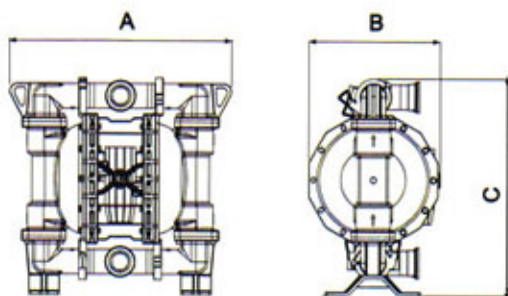
Performance



* The curves and performance values refer to pumps with submerged suction and a free delivery outlet with water at 20°C, and vary according to the construction material.

AISI 316 electropolished or mechanically polished

Dimensions



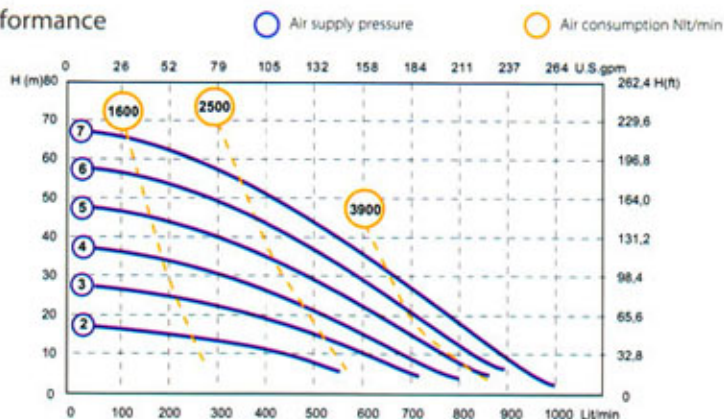
AISI 316	
A (mm)	582
B (mm)	345
C (mm)	570
Weight (kg)	60
MAX Temperature	95°

AF**1000

Technical data

Connections	3" BSP	Air connection	3/4" BSP
Max flow rate	1000 l/min	Max self priming capacity	6 m
Max head	70 m	Diameter of passing solids	10 mm
Max pressure	7 bar		

Performance

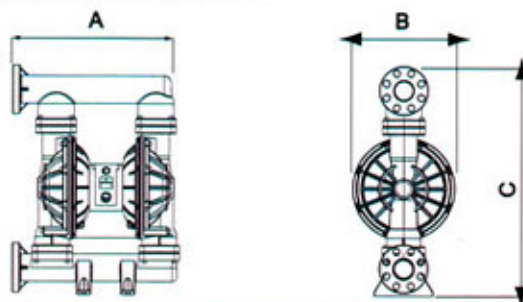


* The curves and performance values refer to pumps with submerged suction and a free delivery outlet with water at 20°C, and vary according to the construction material.



AISI 316 electropolished or mechanically polished

Dimensions



AISI 316	
A (mm)	582
B (mm)	345
C (mm)	570
Weight (kg)	60
MAX Temperature	95°

(*) Clamp connections on request

Accessories



AIR REGULATION KIT



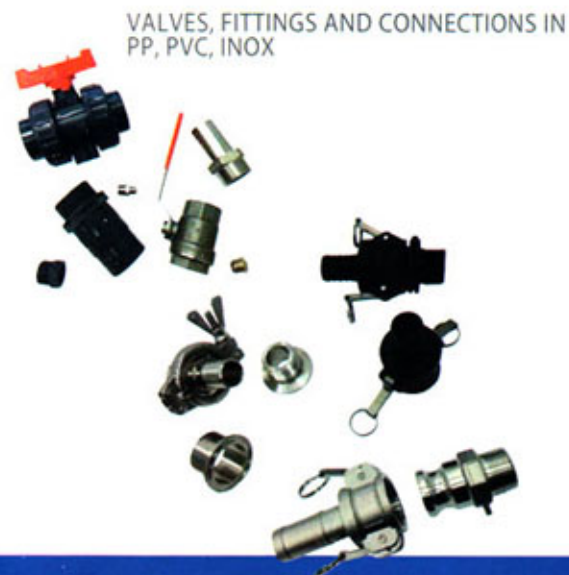
PRESSURE SWITCH CYCLE COUNTER



ELECTRICAL AND PNEUMATIC "START & STOP"



INOX TROLLEY



VALVES, FITTINGS AND CONNECTIONS IN PP, PVC, INOX

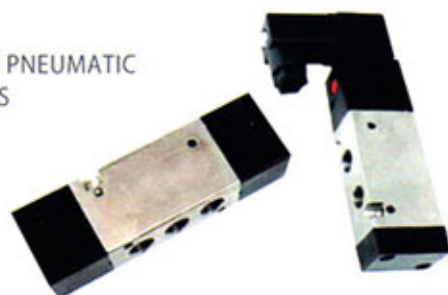


PP, PVDF, ALUMINIUM AND STAINLESS STEEL NOZZLE

HOSE IN PVC REINFORCED, HOSE WITH PTFE OR PE INTERNAL



ELECTRICAL AND PNEUMATIC CONTROL VALVES



FLANGE CONNECTION KIT



BASKET STRAINER FILTERS IN PP



ANTI VIBRATION FEET KIT



A Worldwide Group at your service



INDONESIA

■ Main Distributor:

PT. DINAMIK FLOW TEKNOLOGI

10730 - Jakarta

sales@dflow-teknologi.com

www.dflow-teknologi.com

BRAZIL

■ Seko do Brasil

Comercio de Sistemas de Dosagem Limitada

03170-050 São Paulo (SP)

sekobrasil@sekobrasil.com.br

www.sekobrasil.com.br

BENELUX

■ Seko Benelux B.V.

7532 SK Enschede

(The Netherlands)

info@sekobenelux.com

CHINA

■ Seko China Ltd

072750 Hebei

china@seko.com

www.sekochina.com

DENMARK

■ Seko Denmark

DK-4930 Maribo

info@seko.com

FRANCE

■ Seko Lefranc-Bosi S.A.

77435 - Marne La Vallée

Cedex 2

lefrancbosi@lefrancbosi.com

service.commercial@seko.fr

www.lefrancbosi.com

GERMANY

■ Seko Deutschland GmbH

55252 Mainz - Kastel

info@seko-messtechnik.de

www.seko-germany.com

ITALY

■ Seko Spa

02010 S.Rufina - Rieti

sales@seko.com

ITALY

■ Seko Spa

[Process & Systems]

20068 Peschiera Borromeo -

Milano

info.psd@seko.com

info@seko.com

ROMANIA

■ Seko Sieta S.r.l.

400393 Cluj-Napoca

info.dpro@seko.com

RUSSIA

■ OOO Seko

129347 - Moscow

sekorussia@seko.com

www.sekorussia.ru

SINGAPORE

■ Seko Dosing Systems

Asia Pacific Pte Ltd

608838 Singapore

asiapacific@seko.com

SOUTH AFRICA

■ Seko Southern Africa (PTY) Ltd

Kyasand - Johannesburg -

Gauteng

sales@sekosa.co.za

SPAIN

■ Seko Ibérica Sistemas de Dosificación S.A.

08960 Sant Just Desvern -

Barcelona

sekoiberica@sekoiberica.com

SWEDEN

■ Seko Sweden

26123 Landskrona

info@seko.com

TURKEY

■ Seko Endüstriyel

Pompalar ve Proses

Sistemleri San. ve

Tic. Ltd. Şti.

Kartal Istanbul

info@seko.com.tr

www.seko.com.tr

UNITED ARAB EMIRATES

■ Seko Middle East FZE

P.O. Box 42090 - Hamriyah

Free Zone, Sharjah

info@seko.ae

sales@seko.ae

UNITED KINGDOM

■ Seko UK

Chemical Controls Ltd

Harlow, Essex - CM19 5JH

seko.uk@seko.com

www.sekouk.com

USA

■ Seko Dosing Systems Corporation

Tullytown - PA 19007

sales@sekousa.com

www.sekousa.com