



SHOWFOU

Electronic Constant Pressure Pump **SUPER**

...with micro-processor equipped pump controller



UA series

provides constant flow control for automatic water pressure system.

Two benefits:

- Anti-cycling feature
- Intelligent "loss of prime" protection



SHOWFOU **S** *Electronic Constant Pressure Pump* **SUPER**

UA series

■ DESCRIPTION :

Robust and compact multi-stage automatic centrifugal pump with Showfou' own unique micro-processor equipped pump controller for automatic water pressure.

Designed for domestic clean water supply at single and multistory homes.

■ APPLICATIONS :

Very good for pumps with clean non-volatile liquids without solids or fibers in below applications as :

- Ideal for domestic water supply
- Pressure boosting
- Automatic water transfer
- Washing system
- Small and medium size home , cottage
- Irrigation

■ OPERATING LIMITS :

Cut-out flow rate : 2 LPM
Maximum ambient temperature : 40 °C
Maximum water temperature : 40 °C

■ FEATURE :

Showfou UA series SUPER electronic constant pressure pump consists of a multi-stage centrifugal pump fitted with our own unique micro-processor equipped pump controller which keeps the pump running as long as there is a demand for water, eliminating fluctuating water pressure and annoying "cycling" situation in the presence of dripping taps etc.

Our own unique micro-processor equipped pump controller replaces the conventional pressure switch and provides strong and even pressure to eliminate cycling situation. And, it also provides advanced "loss of prime" protection which will stop the pump in "loss of prime" circumstances. Therefore, it can protect the pump from dry run damage.

The compact size UA series SUPER electronic constant pressure pump does not require large space for installation. And, we are using new super quiet motor with built-in thermal protector to provide non-intrusive and safe operation for consumer enjoyment.

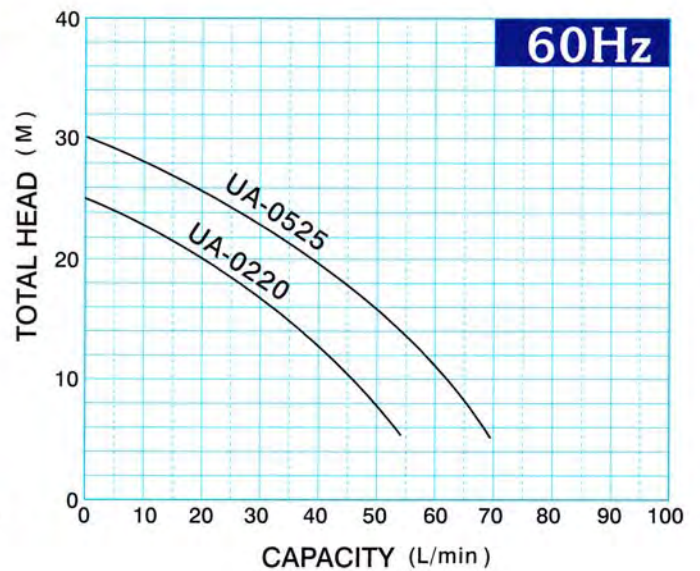
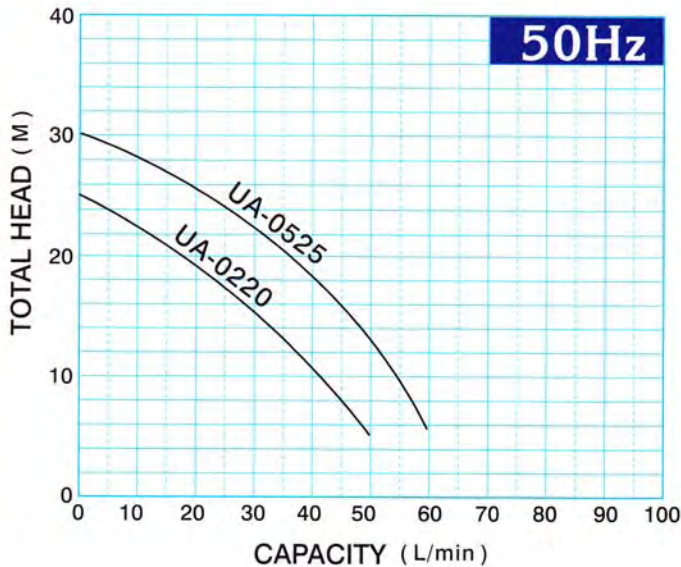
All parts of the entire pump that are in contact with the water are manufactured from safe, corrosion resistant materials.



SHOWFOU

UA Series Electronic Constant Pressure Pump

PERFORMANCE CURVES :



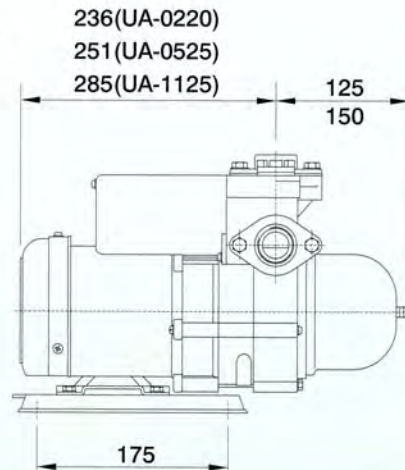
SPECIFICATIONS :

TYPE	Power		Volt	Disch. Dia.		Max. Head		Max. Flow		Default starting pressure setting (ON)	Starting pressure setting range * (ON)	Weight
	HP	kW		inch	mm	50Hz	60Hz	50Hz	60Hz			
UA-0220	1/4	0.2	100~240	3/4	20	25	25	50	55	1.3	1.3~1.7	7.7
UA-0525	1/2	0.4	100~240	1	25	30	30	60	70	1.7	1.7~2.0	9.0

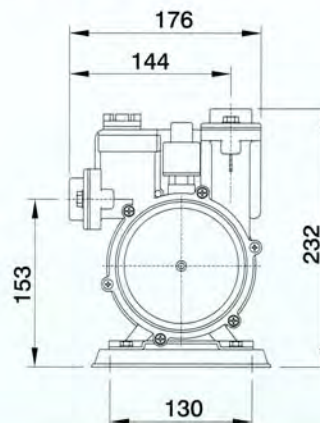
* While installation of the pump, be sure the inlet pressure of the pipe is lower than your starting pressure setting on the pump.

DIMENSIONS :

Unit:mm

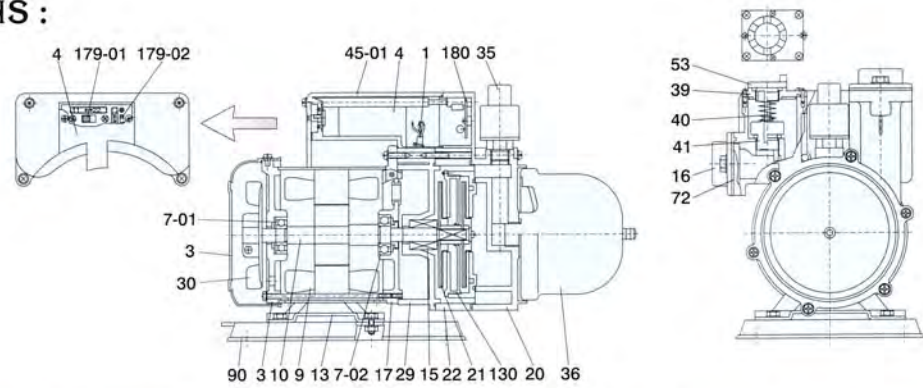


UA-0220/0525



TYPE	UA-0220	UA-0525
Carton Packing		
L x W x H (mm)	405 x 200 x 240	420 x 200 x 240

CONSTRUCTIONS :



PART NO.	PART LIST	MATERIAL	PART NO.	PART LIST	MATERIAL
1	Cable	VCT	31	Fan Cover	Plastic
3	Motor Head Cover	Plastic	35	Pressure Switch	
4	Capacitor		36	Pressure Tank	SUS304
7-01	Bearing		39	Valve Cover	Plastic
7-02	Bearing		40	Spring	SUS304
9	Coil		41	Check Valve	Plastic
10	Shaft	SUS304	45-01	Capacitor Cover	Plastic
13	Motor Casing	Steel	45-02	Capacitor Cover	Plastic
15	Mechanical Seal	Ceramic / Carbon	53	Plug	Plastic
16	Flange Setter	SUS304	72	Outler Rubber	Plastic
17	Motor Lower Cover	Cast Iron	90	Motor Base	Plastic
20	Pump Casing	Plastic	130	Diffuser	Plastic
21	Impeller	SUS304	179-01	--	
22	Suction Cover	Plastic	179-02	Mode Switch	
29	Pump Bracket	Plastic	180	Circuit Board	
30	Cooling Fan	Plastic			

DIAGRAM:

Fig 1 Roof tank water supply boosting for house

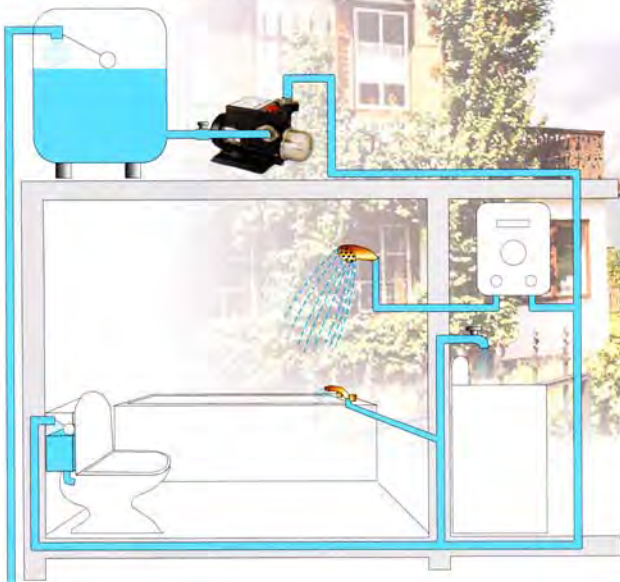
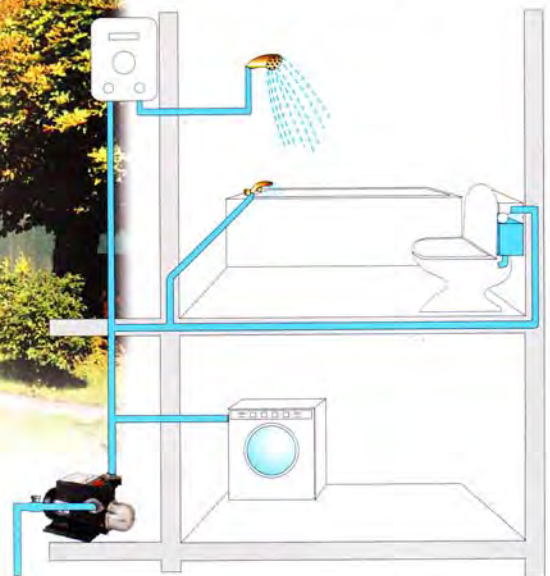


Fig 2 Municipal water supply boosting for house



The default use of the pump is set to boost the pressure UP (e.g. Fig 2), so the mode switch (part# 179-02) is set at "UP" position. If you are using the pump to boost the pressure DOWN (e.g. Fig 1), please adjust the mode switch at "DOWN" position, so the UA constant pressure pump will function normally.

When our unique micro-processor equipped pump controller detects "loss of prime", it waits 30 second to cut out the power then goes into auto retry mode, whereby it will restart the pump every 30 minutes to see if the prime can be re-established automatically.

SHOWFOU PUMP

All specifications subject to change without notice.
<http://www.showfoupump.com>