

# GOLDFISH



SINCE 1976



**Utility Pump**

GF-100N/GFA-100N/GFA-100NV 100W  
 GF-200 /GFA-200 /GFA-200V 200W  
 GF-370 /GFA-370 /GFA-370V 370W  
 GF-680 /GFA-680 /GFA-680V 680W

**SHOWFOU**

**GF type**  
Manual

**GFA type**  
**GFA-V type**  
Automatic

**GV type**  
Manual

**GVA type**  
**GVA-V type**  
Automatic



**Vortex Pump**

GV-200 /GVA-200 /GVA-200V 200W  
 GV-370 /GVA-370 /GVA-370V 370W  
 GV-680 /GVA-680 /GVA-680V 680W



ISO-9001/CNS12681

# KINGFISH

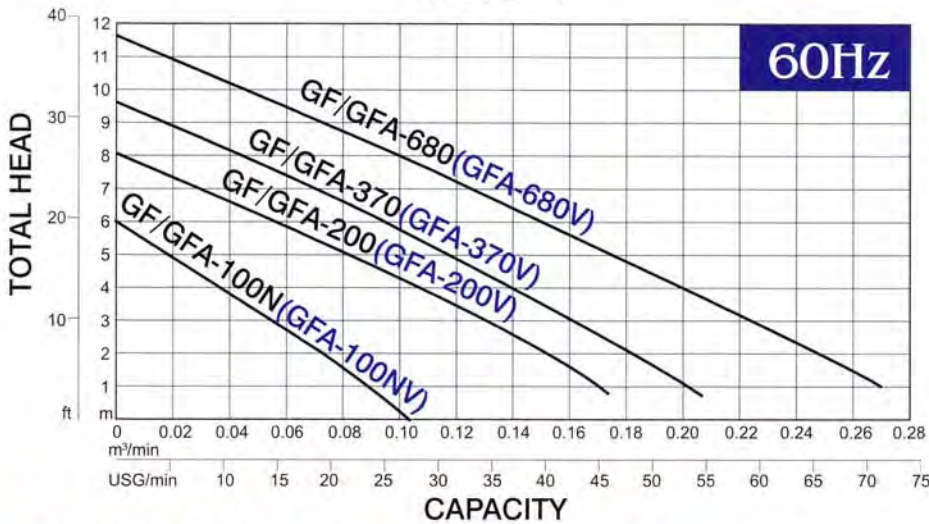
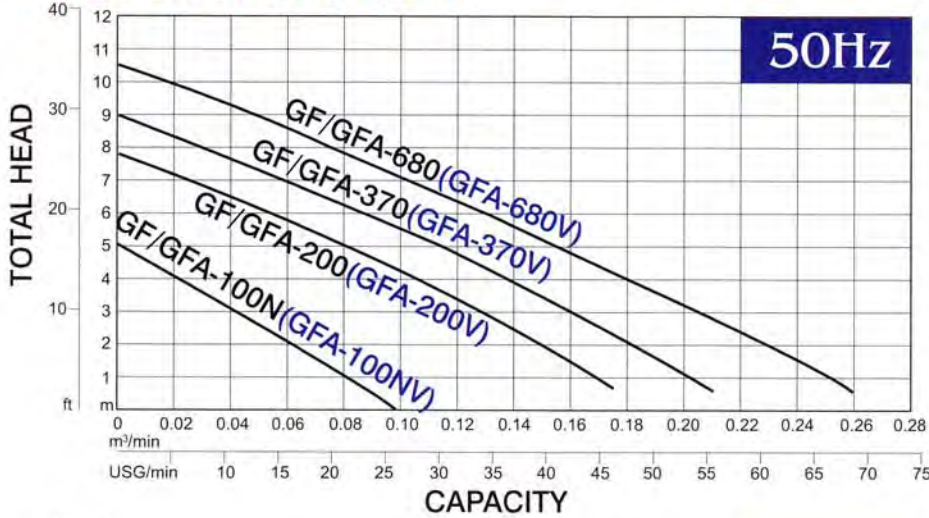
# GOLDFISH

## Utility Pump

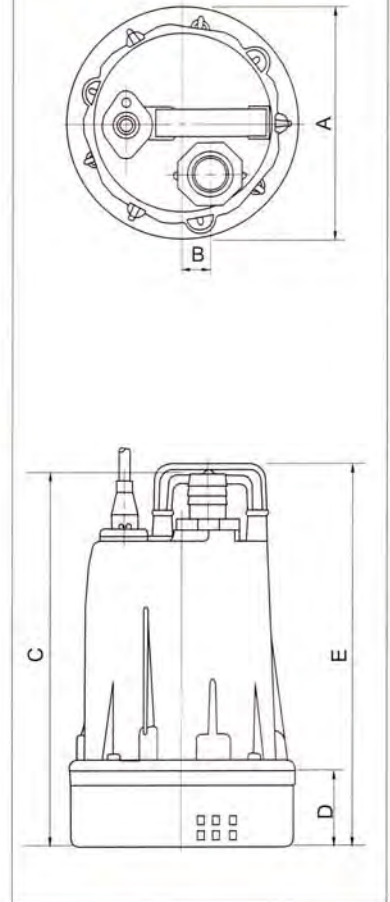
### 100W~680W



#### PERFORMANCE CURVES



#### DIMENSIONS:



#### SPECIFICATIONS: GF / GFA / GFA-V 50Hz

Type	Power	Phase	Volt	Disch. Dia.	Max. Head	Max. Flow	Cable	Weight	A	B	C	D	E
	W	PH	V	inch(mm)	M	M <sup>3</sup> /MIN	mm <sup>2</sup> x M	KG	mm	mm	mm	mm	mm
GF-100N/GFA-100N/GFA-100NV	100	1	110 220	1"(25) 3/4"(20)	5	0.1	0.75 <sup>2</sup> x4	3.9	144	33	240	50	245
GF-200 / GFA-200 / GFA-200V	200	1	110 220	1 1/4"(32)	7.7	0.17	0.75 <sup>2</sup> x4	5.2	159	43	291	58	273
GF-370 / GFA-370 / GFA-370V	370	1	110 220	1 1/2"(40) 1 1/4"(32)	9	0.20	0.75 <sup>2</sup> x4	6.5	159	43	325	86	300
GF-680 / GFA-680 / GFA-680V	680	1	110 220	2"(50) 1 1/2"(40)	10.5	0.25	0.75 <sup>2</sup> x4	6.8	159	43	348	108	320

#### DIMENSIONS:

#### SPECIFICATIONS: GF / GFA / GFA-V 60Hz

Type	Power	Phase	Volt	Disch. Dia.	Max. Head	Max. Flow	Cable	Weight	A	B	C	D	E
	W	PH	V	inch(mm)	M	M <sup>3</sup> /MIN	mm <sup>2</sup> x M	KG	mm	mm	mm	mm	mm
GF-100N/GFA-100N/GFA-100NV	100	1	110 220	1"(25) 3/4"(20)	6	0.1	0.75 <sup>2</sup> x4	3.9	144	33	240	50	245
GF-200 / GFA-200 / GFA-200V	200	1	110 220	1 1/4"(32)	8	0.17	0.75 <sup>2</sup> x4	5.2	159	43	291	58	273
GF-370 / GFA-370 / GFA-370V	370	1	110 220	1 1/2"(40) 1 1/4"(32)	9.5	0.20	0.75 <sup>2</sup> x4	6.5	159	43	325	86	300
GF-680 / GFA-680 / GFA-680V	680	1	110 220	2"(50) 1 1/2"(40)	11.5	0.27	0.75 <sup>2</sup> x4	6.8	159	43	348	108	320

#### DIMENSIONS:

※Each item is available with two different sizes of discharge written in the above table. Big one is our standard size. If you require small one, please inform us in advance.

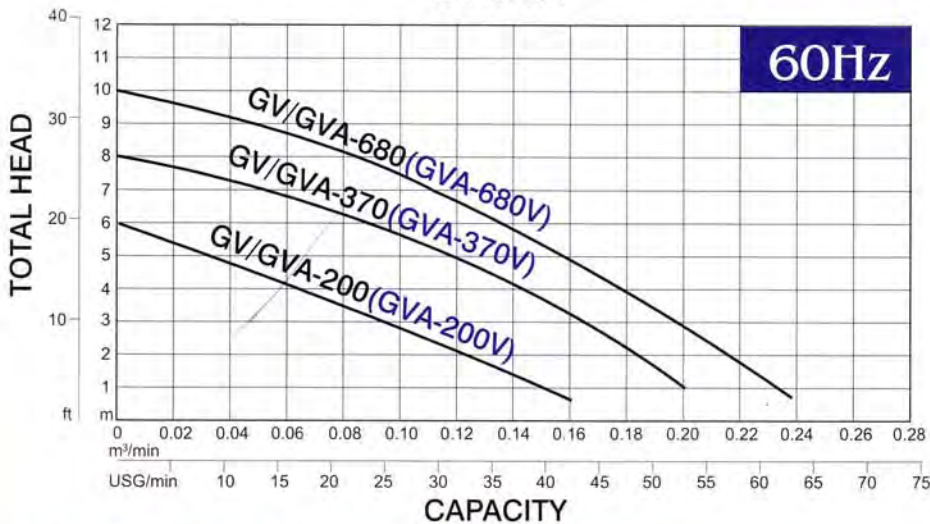
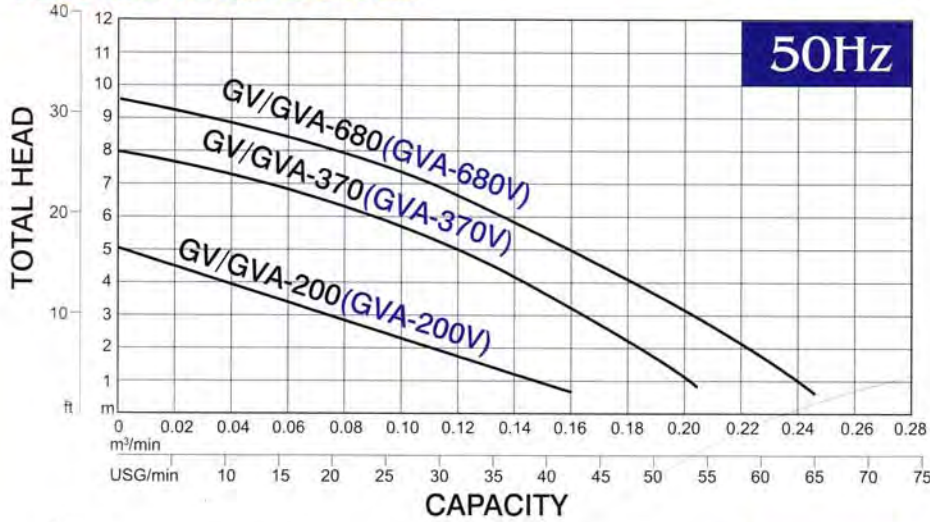
# KINGFISH

## Vortex Pump

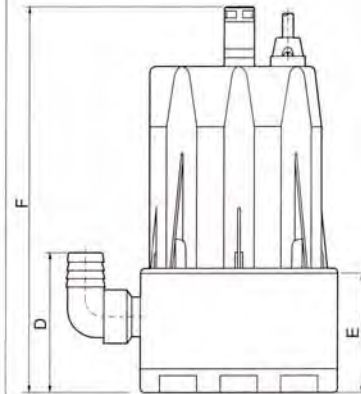
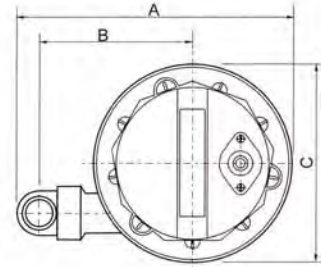
### 200W, 370W, 680W



#### ■ PERFORMANCE CURVES



#### ■ DIMENSIONS:



#### ■ SPECIFICATIONS: GV / GVA / GVA-V 50Hz

Type	Power	Phase	Volt	Disch. Dia.	Max. Head	Max. Flow	Cable	Weight	A	B	C	D	E	F
	W	PH	V	inch(mm)	M	M <sup>3</sup> /MIN	mm <sup>2</sup> x M	KG	mm	mm	mm	mm	mm	mm
GV-200 / GVA-200 / GVA-200V	200	1	110 220	1 1/4"(32)	5	0.15	0.75 <sup>2</sup> x4	5	222	129	159	115	79	293
GV-370 / GVA-370 / GVA-370V	370	1	110 220	1 1/2"(40) 1 1/4"(32)	8	0.20	0.75 <sup>2</sup> x4	6	228	129	159	117	106	320
GV-680 / GVA-680 / GVA-680V	680	1	110 220	2"(50) 1 1/2"(40)	9.5	0.24	0.75 <sup>2</sup> x4	7	241	129	159	137	125	339

#### ■ DIMENSIONS:

#### ■ SPECIFICATIONS: GV / GVA / GVA-V 60Hz

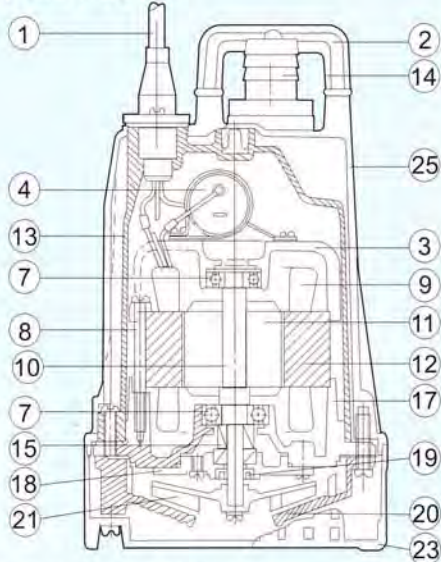
Type	Power	Phase	Volt	Disch. Dia.	Max. Head	Max. Flow	Cable	Weight	A	B	C	D	E	F
	W	PH	V	inch(mm)	M	M <sup>3</sup> /MIN	mm <sup>2</sup> x M	KG	mm	mm	mm	mm	mm	mm
GV-200 / GVA-200 / GVA-200V	200	1	110 220	1 1/4"(32)	6.1	0.15	0.75 <sup>2</sup> x4	5	222	129	159	115	79	293
GV-370 / GVA-370 / GVA-370V	370	1	110 220	1 1/2"(40) 1 1/4"(32)	8	0.20	0.75 <sup>2</sup> x4	6	228	129	159	117	106	320
GV-680 / GVA-680 / GVA-680V	680	1	110 220	2"(50) 1 1/2"(40)	10	0.23	0.75 <sup>2</sup> x4	7	241	129	159	137	125	339

#### ■ DIMENSIONS:

※ Each item is available with two different sizes of discharge written in the above table. Big one is our standard size. If you require small one, please inform us in advance.

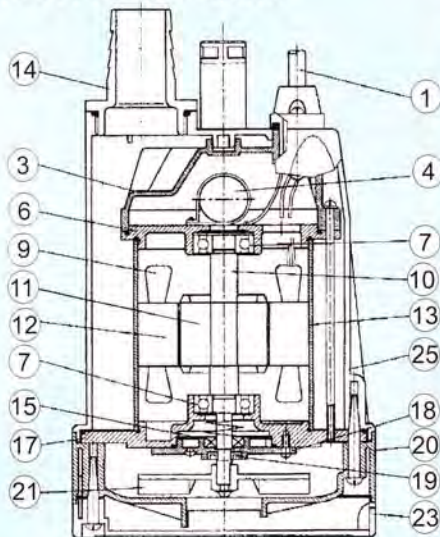
## CONSTRUCTIONS:

### GF/GFA-100N



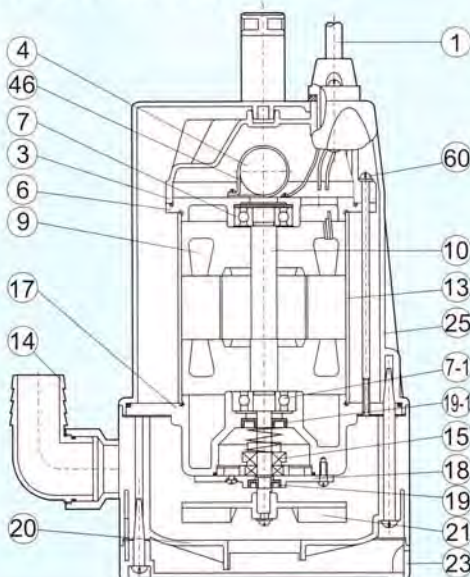
ITEM NO.	PARTS LIST	MATERIAL	ITEM NO.	PARTS LIST	MATERIAL
1	Cable	V. C. T.	17	Motor Lower Cover	Cast Iron
2	Handle	Plastic	18	Mechanical seal Cover	Plastic
3	Motor Head Cover	Aluminum	19	Oil Seal	Synthetic Rubber
4	Condenser		20	Pump Casing	Plastic
7	Upper Ball Bearing		21	Impeller	Plastic
8	Bolt	Stainless Steel	23	Strainer	Plastic
9	Coil		25	Outer Cover	Plastic
10	Shaft	Stainless Steel			
11	Rotor	Steel Plate			
12	Stator	Steel Plate			
13	Motor Casing	Plastic			
14	Hose Coupling	Plastic			
15	Mechanical Seal	Ceramic-Carbon			

### GF/GFA-200,370,680



ITEM NO.	PARTS LIST	MATERIAL	ITEM NO.	PARTS LIST	MATERIAL
1	Cable	V. C. T.	17	Motor Lower Cover	Cast Iron
3	Motor Head Cover	Plastic	18	Mechanical seal Cover	Plastic
4	Condenser		19	Oil Seal	Synthetic Rubber
6	Upper Bracket	Cast Iron	20	Pump Casing	Plastic
7	Upper Ball Bearing		21	Impeller	Plastic
8	Bolt	Stainless Steel	23	Strainer	Plastic
9	Coil		25	Outer Cover	Plastic
10	Shaft	Stainless Steel			
11	Rotor	Steel Plate			
12	Stator	Steel Plate			
13	Motor Casing	Steel			
14	Hose Coupling	Plastic			
15	Mechanical Seal	Ceramic-Carbon			

### GV/GVA-200,370,680



ITEM NO.	PARTS LIST	MATERIAL	ITEM NO.	PARTS LIST	MATERIAL
1	CABLE	V.C.T.	17	MOTOR LOWER COVER	Cast Iron
3	MOTOR HEAD COVER	Plastic	18	MECHANICAL SEAL COVER	PP
4	CAPACITOR		19	OIL SEAL	SYNTHETIC RUBBER
6	UPPER BRACKET	Cast Iron	19-1	OIL SEAL (370W, 680W)	SYNTHETIC RUBBER
7	BEARING		20	PUMP CASING	Plastic
7-1	BEARING		21	IMPELLER	Plastic
9	COIL		23	STRAINER	Plastic
10	SHAFT	SUS410	25	OUTER CASING	Plastic
13	MOTOR CASING	Steel	46	CAPACITOR FIXED	
14	HOSING COUPLING	ABS	60	BOLT	SUS304
15	MECHANICAL SEAL	CERAMIC-CARBON			

AGENT

**PT. LUKES INDONESIA**

Lindeteves Trade Center Lt UG, Blok B1 No. 6  
Jalan Hayam Wuruk, Jakarta - Indonesia  
Phone : 021 - 6231 7842, 628 5144  
Fax : 021 - 6231 0499  
email : lukes@cbn.net.id



All specifications subject to change without notice.