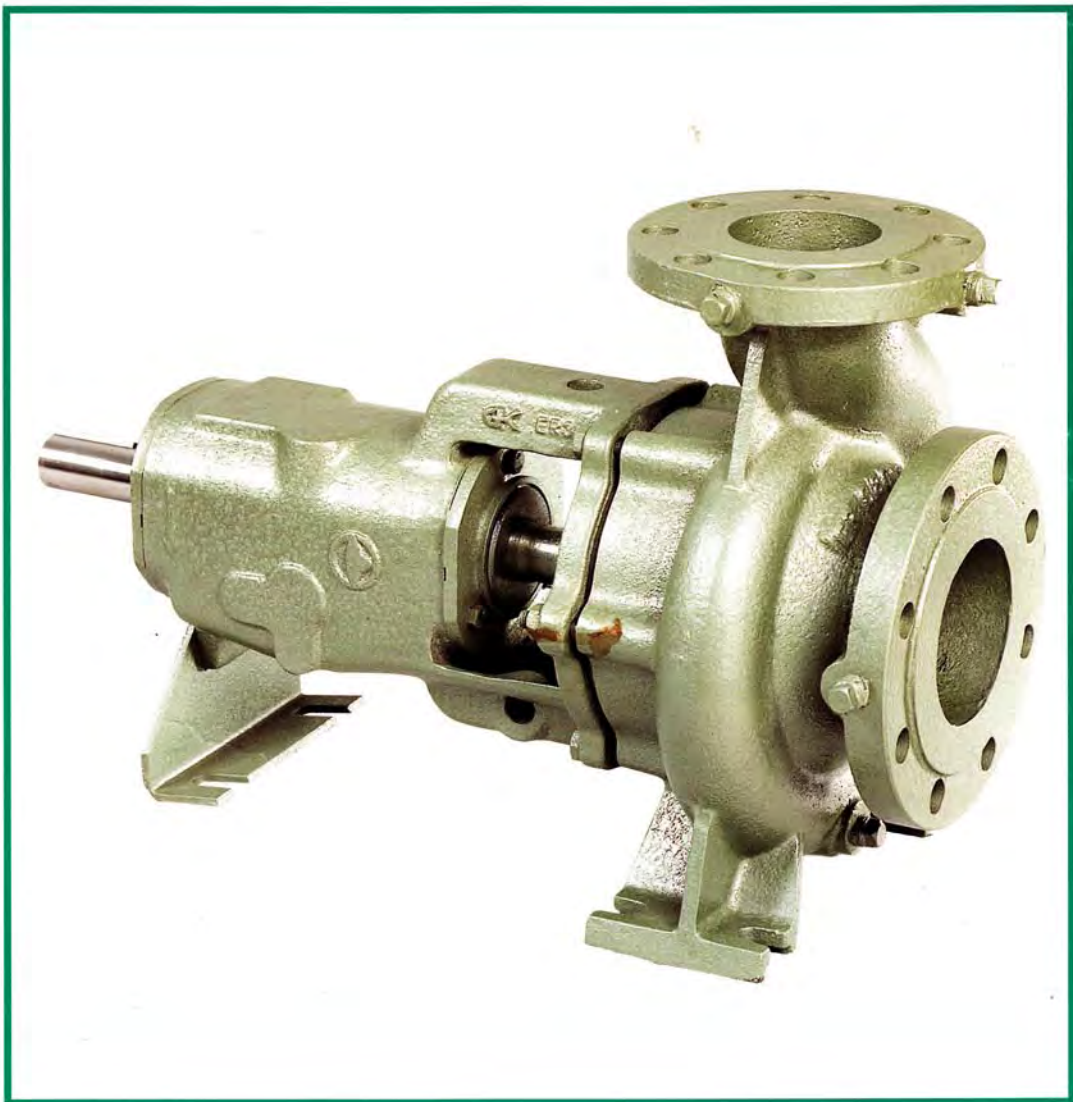


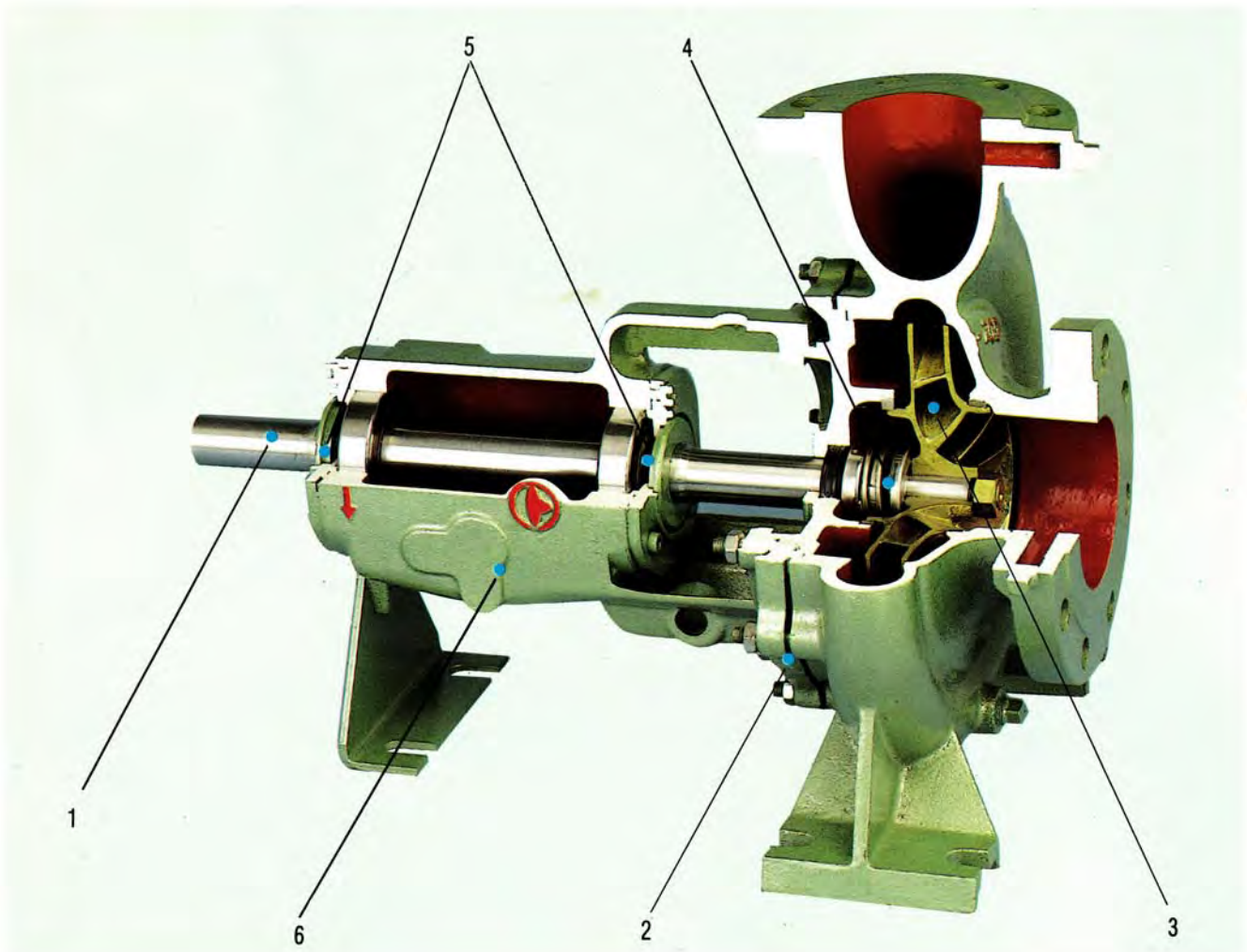
CER

CENTRIFUGAL PUMPS



TORISHIMA PUMP

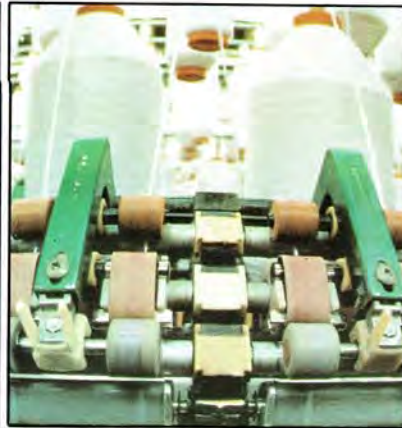
FEATURES	BENEFITS
1. Shaft material is SUS 420 J2	<ul style="list-style-type: none"> • Better corrosion resistance • Strong enough for 2 pole operation
2. Back pull out design	<ul style="list-style-type: none"> • Easy maintenance • Quick repair work
3. High efficiency impeller (three dimensional closed type impeller)	<ul style="list-style-type: none"> • Assured high efficiency • Low operation cost
4. One-touch mechanical seal	<ul style="list-style-type: none"> • Easy setting • High sealing effectiveness • Clean environment
5. Excellent non-contact labyrinth ring	<ul style="list-style-type: none"> • High efficient operation
6. Outdoor design	<ul style="list-style-type: none"> • Flexible application
7. High temperature operation (optional)	<ul style="list-style-type: none"> • Wide range application



APPLICATIONS



Hot & Cold Water System
Fire Fighting System



Industrial Utilities



Irrigation



Water Supply



Chemical processes

SPECIFICATIONS

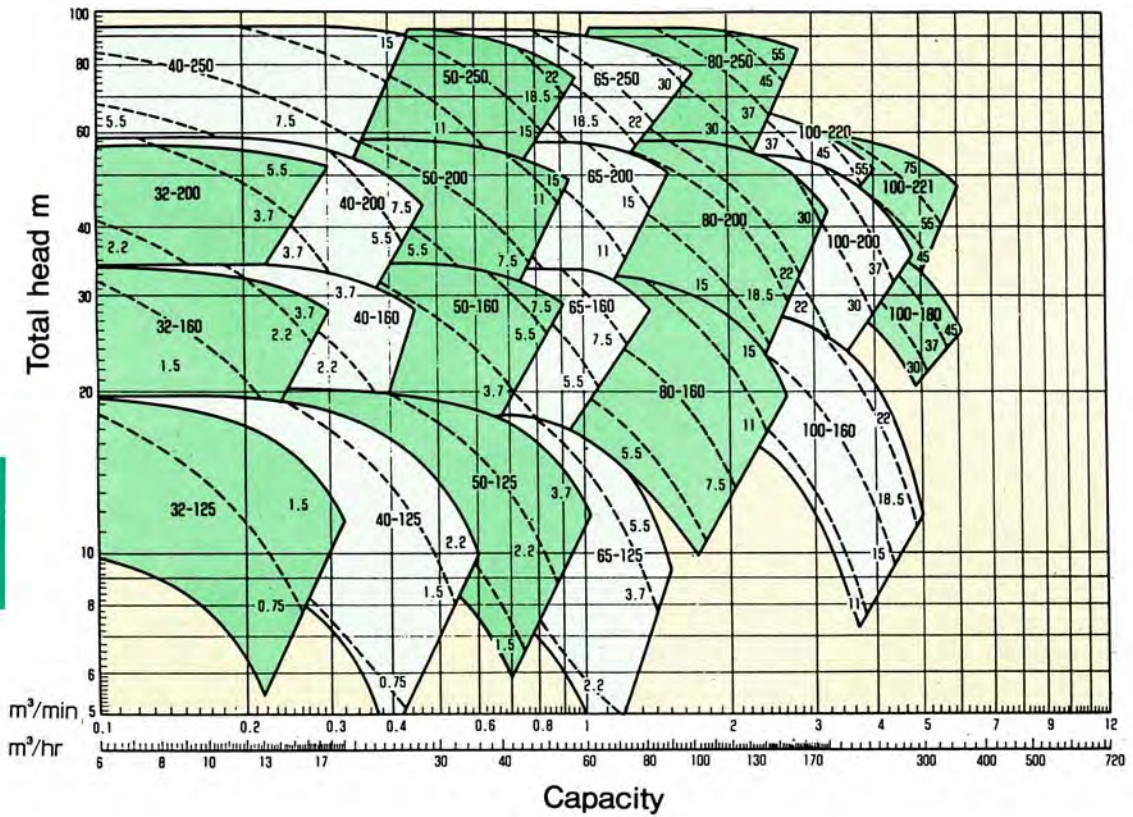
	STANDARD	OPTIONS *
Capacity	Up to 600 m ³ / h	
Total head	Up to 92 m	
Pump size	32 mm to 150 mm	
Pump discharge pressure	Up to 10 kgf / cm ²	
Product temperature	-10°C to 80°C	-30°C to 340°C
Volute casing	Cast iron FC 200	Ductile cast Iron FCD 400
Casing cover	Cast Iron FC 200	Ductile cast Iron FCD 400
Bearing casing	Cast Iron FC 200	
Impeller	Cast Iron FC 200	Bronze BC 2
Casing wear ring	Cast Iron FC 200	Bronze BC 6
Impeller wear ring	Cast Iron FC 200	Bronze BC 6
Shaft	Martensitic Stainless Steel SUS 420 J2	Martensitic Stainless Steel SUS 403
Lubrication	Grease	Oil
Ball bearing	Deep groove double sealed	
Seal	Mechanical seal	Gland packing

* All material combination within above mentioned material specification is possible.

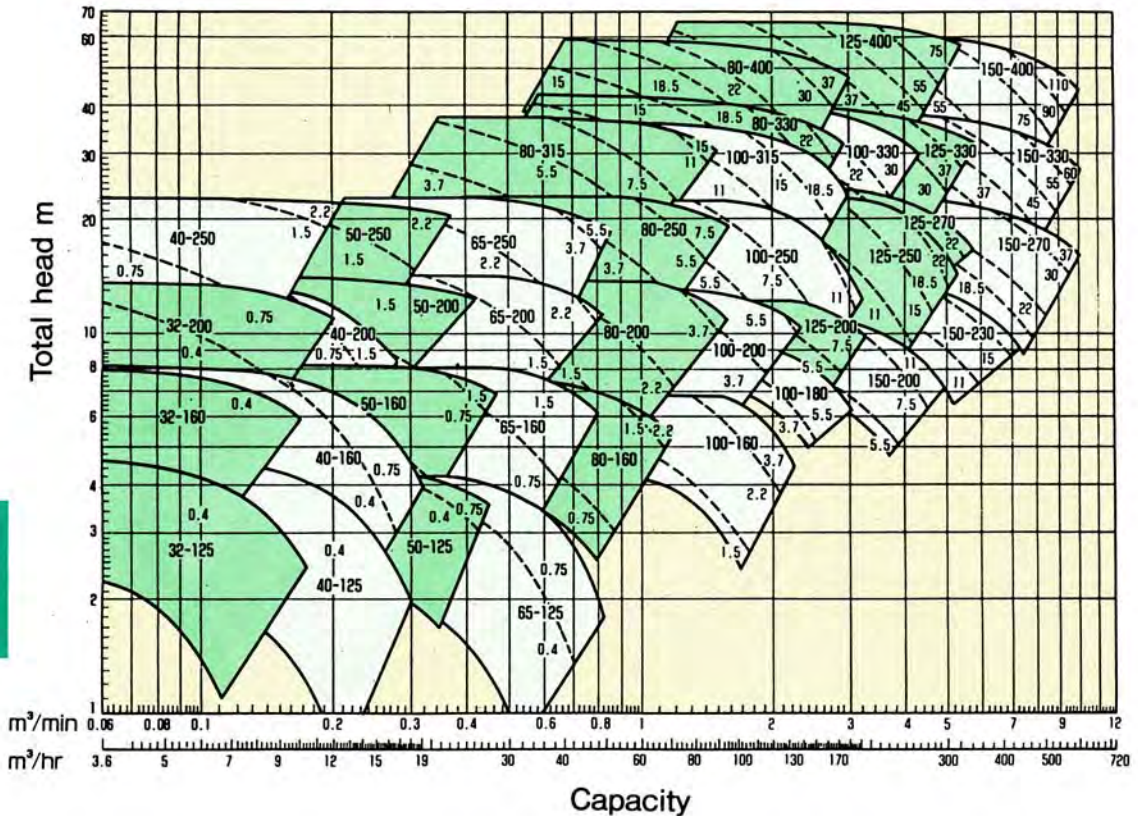
SELECTION CHARTS

----- Shows motor rating in kW.

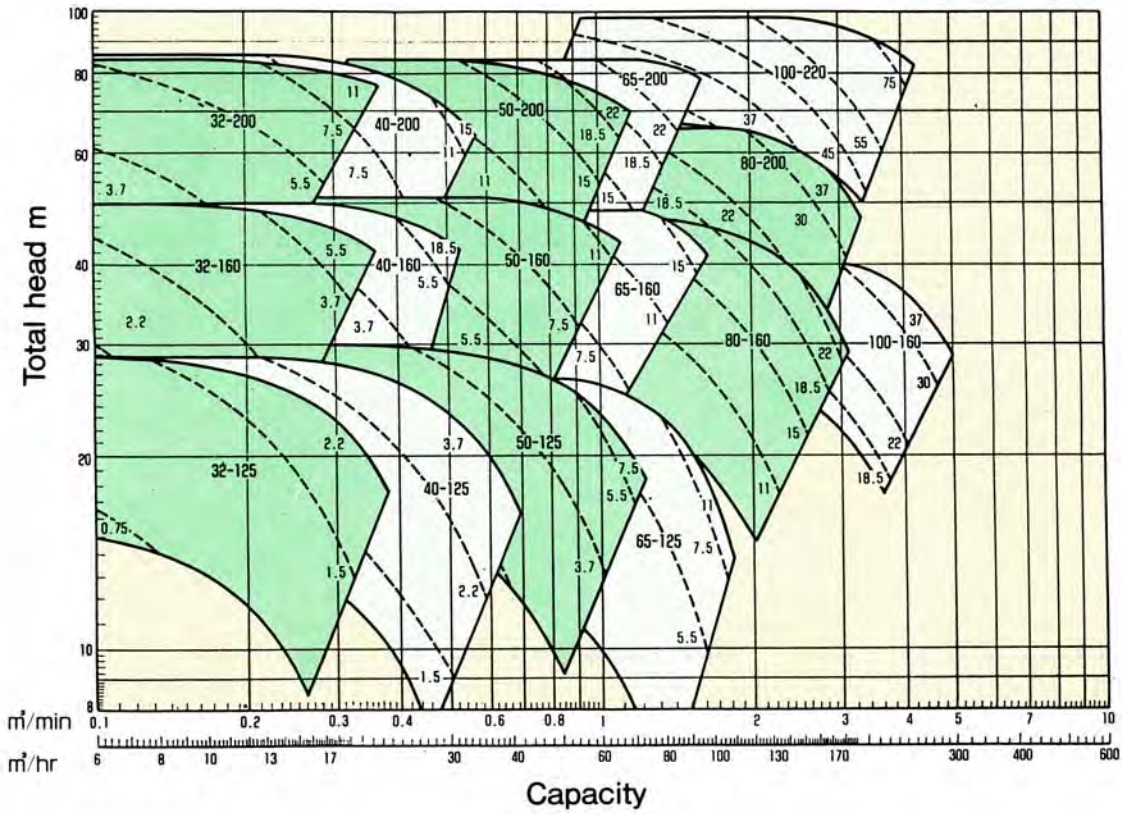
2P 2900 rpm



4P 1450 rpm

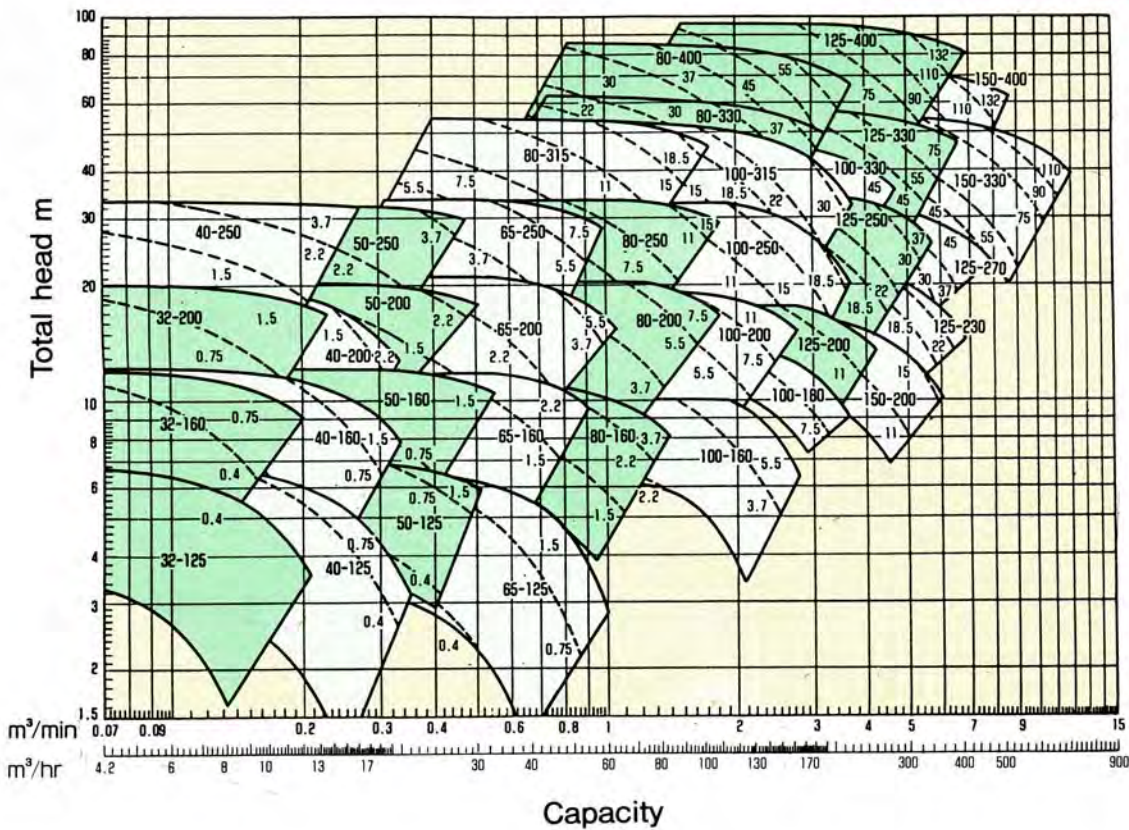


2P 3500 rpm



60 Hz

4P 1750 rpm



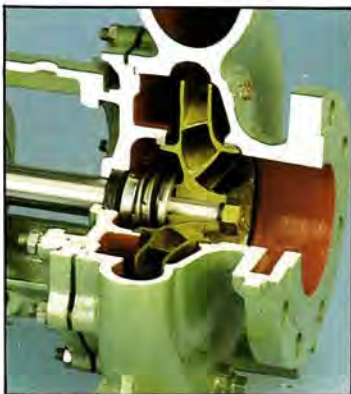
60 Hz

MATERIALS AND INTERCHANGEABILITY OF MAIN PARTS

Parts designation		Standard material	32-125	40-125	50-125	65-125	32-160	40-160	50-160	65-160	32-200	40-200	80-160	100-160	50-200	65-200	80-200	40-250	50-250	65-250	100-200	125-200	150-200	80-250	100-250	125-250	80-315	100-315	100-180	100-220	100-221	125-320	150-230	125-270	80-330	100-330	150-270	125-330	150-330	80-400	125-400	150-400																																																																	
Volute casing		FC 200 (Cast iron)	1	2	3	4	5	6	7	8	9	10	11	12	13	14	15	16	17	18	19	20	21	22	23	24	25	26	27	28	29	30	31	32	33	34	35	36	37	38	39	40																																																																	
Casing cover		FC 200 (Cast iron)	1				2				3				4				5				6				7				8				9				10				11				12				13				14				15																																																
Impeller		FC 200 (Cast iron)	1	2	3	4	5	6	7	8	9	10	11	12	13	14	15	16	17	18	19	20	21	22	23	24	25	26	27	28	29	30	31	32	33	34	35	36	37	38	39	40																																																																	
Casing wear ring	Suction side	FC 200 (Cast iron)	1	2	3	4	5	6	7	8	9	10	11	12	13	14	15	16	17	18	19	20	21	22	23	24	25	26	27	28	29	30	31	32	33	34	35	36	37	38	39	40																																																																	
	Balancing side	FC 200 (Cast iron)	1				2				3				4				5				6				7				8				9				10				11				12				13				14																																																				
Mechanical seal			1				2				3				4																																																																																												
Shaft		SUS 420 J2 (Stainless steel)	1				2				3				4				5				6				7																																																																																
Bearing casing		FC 200 (Cast iron)	1				2				3				4				5				6				7				8																																																																												
Ball bearing			1				2				3				4				5				6				7																																																																																
Labyrinth ring		Plastic	1				2				3				4				5				6				7																																																																																
Impeller nut		SS 400 (Rolled steel)	1				2				3				4																																																																																												
Support foot		FC 200 (Cast iron)	1	2				3				4				5				6				7				8				9				10				11				12				13				14				15				16				17				18				19				20				21				22				23				24				25				26				27			

Same number in same parts indicates interchangeability

MECHANICAL SEAL



One-touch seal

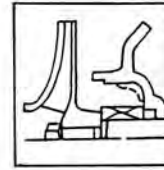


Name	Material
Gasket	NBR
Cushion ring	NBR
Washer	Carbon
Stopper	SUS 304
Stopper	SUS 304
Seat	Si Carbide
Spring	SUS 304
Stopper	SUS 304
Spline ring	SUS 304

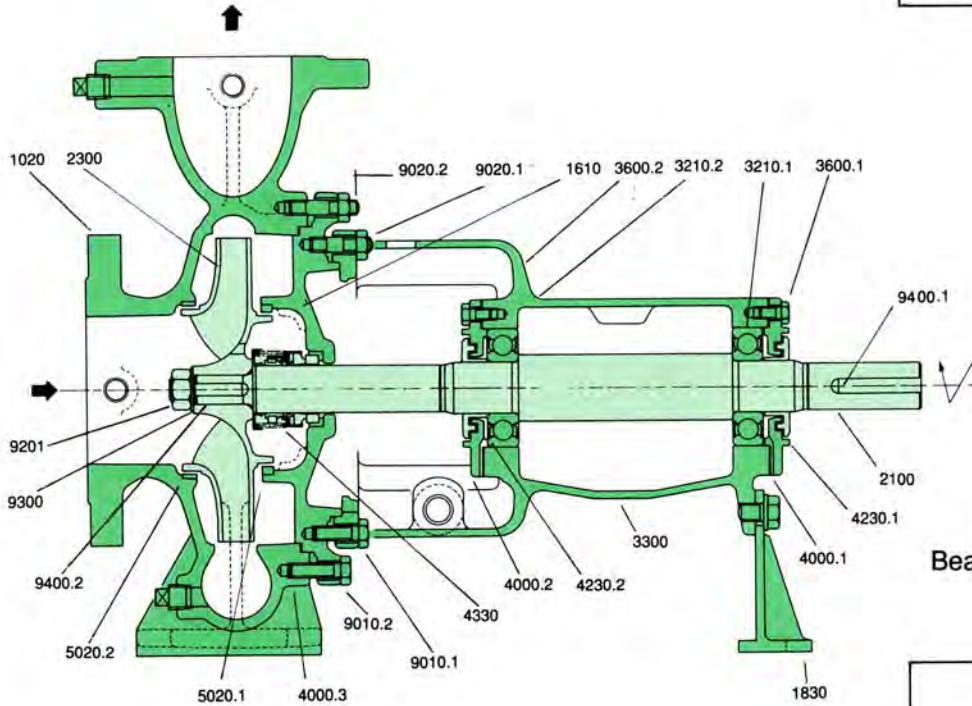
Dimension (mm)	D	Dimension A
25	024	9.5
35	032	10.3
45	038	10.8

SECTIONAL DRAWING AND LIST OF COMPONENTS

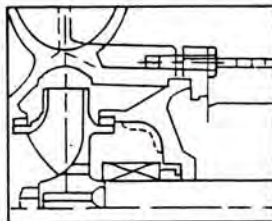
Shaft seal : Mechanical seal
 Bearing : Grease lubricated type (standard)



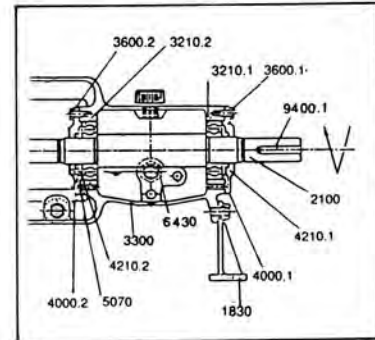
Without balancing ring
 32-125 , 40-125
 50-125 , 32-160



Bearing : Oil lubricated type
 (Option)

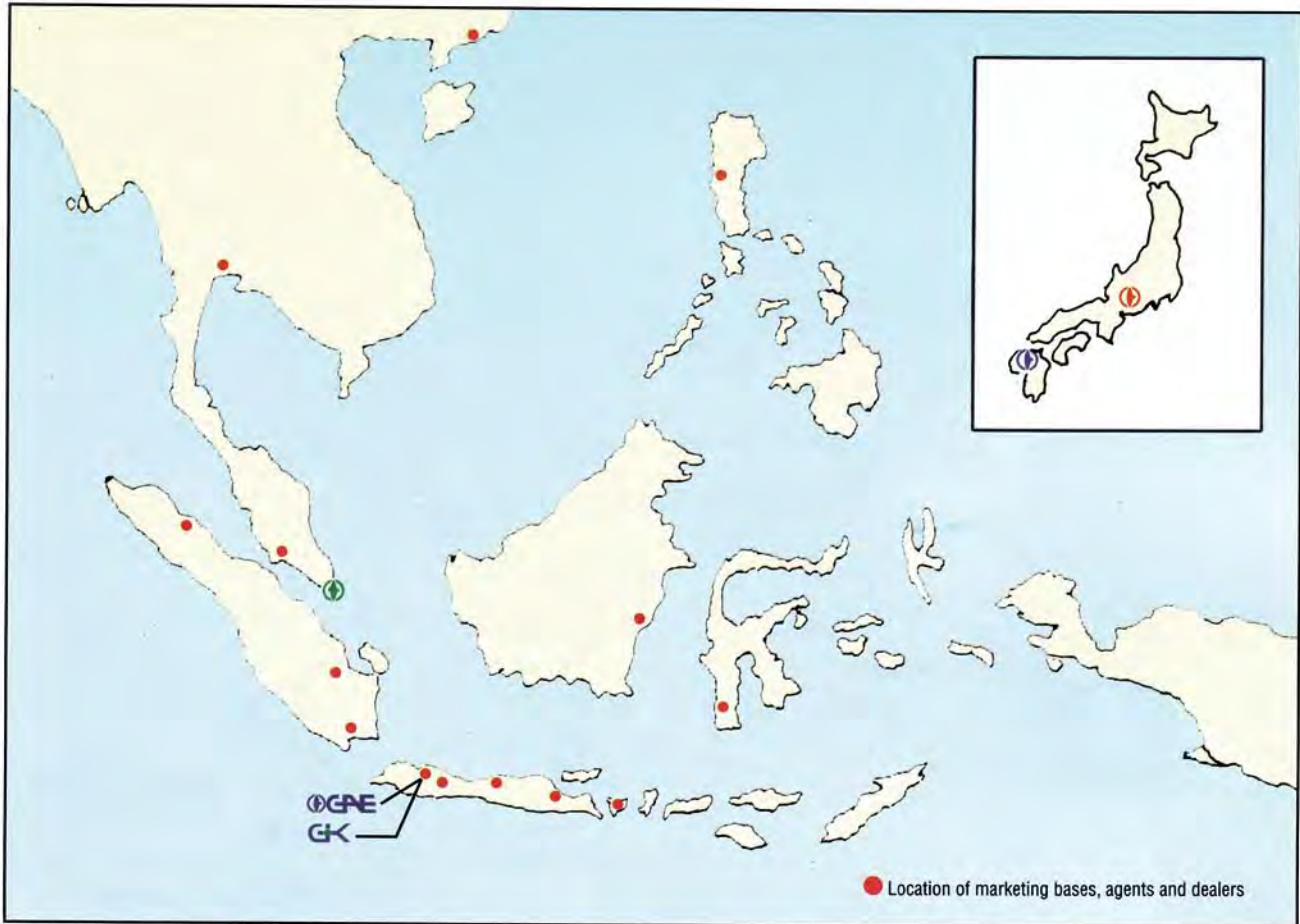


"Push-in" casing cover.
 32-125 , 40-125
 50-125 , 65-125
 32-160 , 40-160
 50-160 , 65-160
 80-160 , 100-160
 100-200 , 125-200
 150-200



No.	Name	Material	Pcs.	No.	Name	Material	Pcs.
1020	Volute casing	FC 200	1	4230.1	Labyrinth ring	Plastic	1
1610	Casing cover	FC 200	1	4230.2	Labyrinth ring	Plastic	1
1830	Support foot	FC 200	1	4330	Mechanical seal	C/ SiC	1set
2100	Shaft		1	5070	Deflector	SUS 316	1
2300	Impeller		1	6430	Oil gauge	C3602 BEHCR	1
3210.1	Ball bearing	No. 63 C3	1	9010.1	Hexagonal bolt	SS 400	1set
3210.2	Ball bearing	No. 63 C3	1	9010.2	Hexagonal bolt		1set
3300	Bearing casing	FC 200	1	9020.1	Stud bolt	S45C	1set
3600.1	Bearing cover	FC 200	1	9020.2	Stud bolt		1set
3600.2	Bearing cover	FC 200	1	9201	Hexagonal nut		1
4000.1	Flat gasket	TOMBO = 1630	1	9130	Plug	6NR	1
4000.2	Flat gasket	TOMBO = 1630	1	9300	Spring washer		1
4000.3	Flat gasket		1	9400.1	Key	S45C	1
4210.1	Oil seal	JIS G-	1	9400.2	Key		1
4210.2	Oil seal	JIS G-	1				

SALES AND SERVICES NET WORK



ⓄGPE PT. TORISHIMA GUNA INDONESIA ⓂK PT. GETEKA FOUNINDO

Ⓞ TORISHIMA SINGAPORE Ⓞ TORISHIMA JAPAN Ⓞ KYUSHU TORISHIMA



PT. TORISHIMA GUNA INDONESIA
(MEMBER OF GUNA ELEKTRO GROUP)

Head Office & Factory :

Jl. Raya Sumur Timur No.1 Pulo Gadung Industrial Estate
Jakarta 13011, Indonesia, P.O. Box 1160 JAT

Phone : (021) 4603963 (5 Lines), 4603936, 4603937
Fax. : (021) 4603937
Hotline : Jkt, Bdg, Sby, Mdn, Smg Skytel Ph. 131 ID 81000

PT. LUKES INDONESIA

Lindeteves Trade Center Lt UG, Blok B1 No. 6
Jalan Hayam Wuruk, Jakarta - Indonesia
Phone : 021 - 6231 7842, 628 5144
Fax : 021 - 6231 0499
email : lukes@cbn.net.id

