



Diaphragm Aerator

TSURUMI PUMP



■ Applications Examples

- Oxygen Supply
- Aquarium
- Maintenance Pool
- Feeding Fish Equipment
- Transportation
- Waste Water Treatment
- Jacuzzi
- Septic Tank

TSURUMI DIAPHRAGM AERATOR

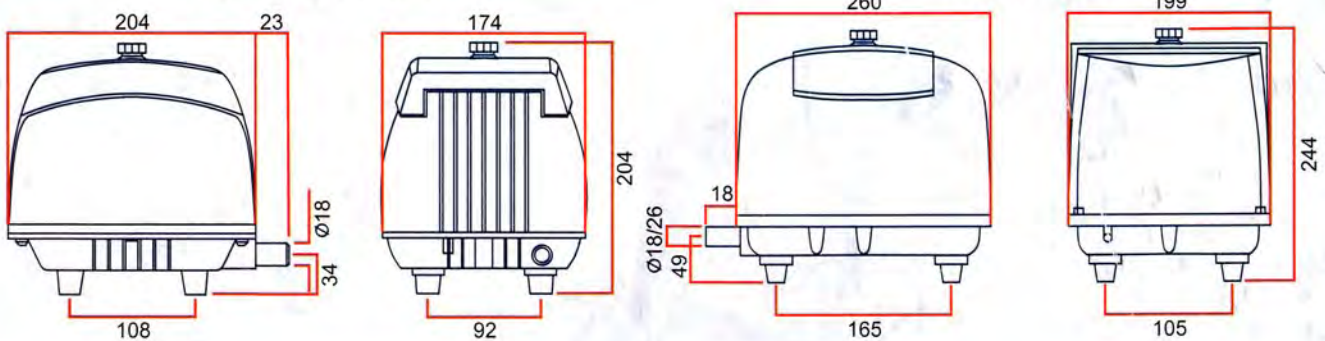
Specifications

Model	Discharge Diameter (mm)	Frequency (Hz)	Motor Input (W)	Rated Pressure (kPa)	Discharge Quantity (L/min)	Closed Pressure (kPa)	Dry Weight
TLD-20R	18	50	11	11.8	21	20.6	4.6
TLD-30R	18	50	18	11.8	32	25.5	4.6
TLD-40A	18	50/60	38/35	12.7	46/45	37.3/43.1	4.6
TLD-60A	18	50/60	59/60	14.7	70/65	50.0/47.1	5.4
TLD-80A	18	50/60	78/81	14.7	84/82	53.9/53.0	6.3
TLD-100A	18	50/60	98/110	17.7	108/105	56.9/46.1	6.3
TLD-120A	18	50/60	130/130	19.6	125/123	50.0/46.1	8.9

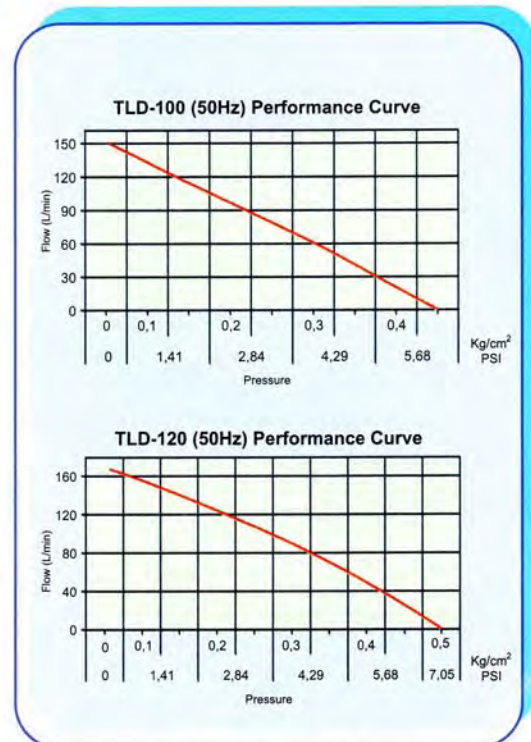
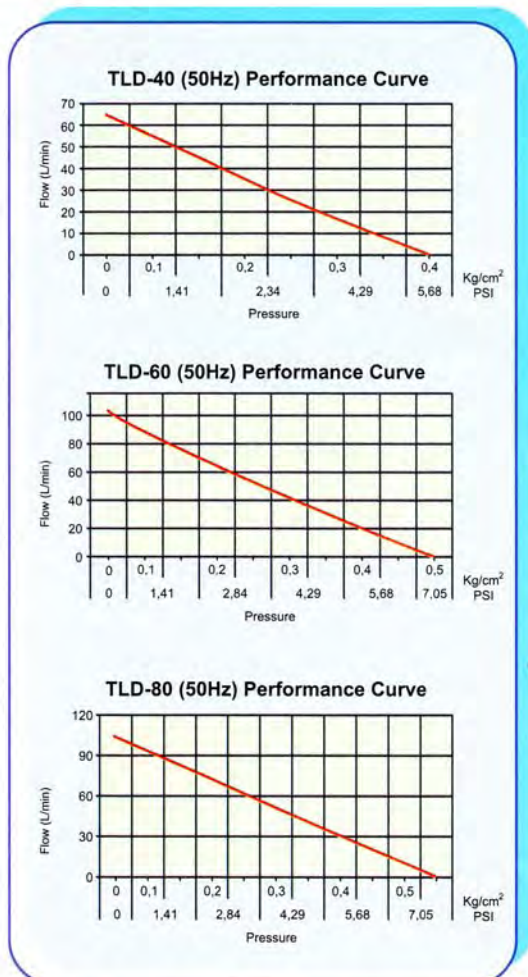
Dimensions

TLD 40, TLD 60, TLD 80

TLD 100, TLD 120



Product curve line



TSURUMI
MANUFACTURING CO.,LTD

PT. LUKES INDONESIA
Lindeteves Trade Center Lt UG, Blok B1 No. 6
Jalan Hayam Wuruk, Jakarta - Indonesia
Phone : 021 - 6231 7842, 628 5144
Fax : 021 - 6231 0499
email : lukes@cbn.net.id



*We reserve the right to change the specifications and designs for improvement without prior notice.