



# Float Switches

MC  
MF  
RF



# Level Sensor MC

for sensing water levels



## Features

- Simple structure made of a ball float with a shock absorber wrapped around it
- Rugged construction withstanding impact from collision with the tank walls or piping
- Assures trouble-free operations in the water containing any types of suspended solids including scum-filled drainage
- Switching on and off can be made at steadier angle than mercury type float switches
- Contacts switchable, a or b, at will

## Applications

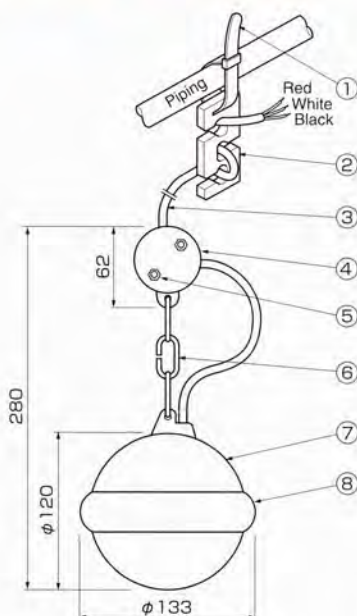
- Automatic pumping of the drainage containing lots of scum and suspended solids
- Maximum/minimum water-level warning

Conductor color	In the air	Submerged	Contact
Red-black	off (open)	on (closed)	a
Red-white	on (closed)	off (open)	b

In the air		Submerged	
White b	Black a	White b	Black a

## Outline and specifications (in millimeters)



No.	Component name	Material
1	Retaining belt	Nylon
2	Cable clamp	Resin
3	Cable	VCT-F
4	Cable holder	Resin
5	Screw and nut	Stainless steel #304
6	Hanging chain	Stainless steel #316
7	Float	Resin
8	Shock absorber	ABS Resin

## Standard specifications

		Model	MC-2
Electric characteristics	Breaking capacity		50VA AC
	Max. current		2A AC
	Working voltage		30V AC
Switch	Contact		c*
	Type		Microswitch
Mechanical characteristics	Proof pressure (static)		98kPa (1.0 kgf/cm <sup>2</sup> )
	Working temperature range		0 to 50°C
Cable	Cores x cross section		3 × 0.75mm <sup>2</sup>
	Finished outside diameter		7.6mm
	Standard length		6m
	Semi-standard length		10, 15, 20, 25, 30m
Weight			1,087g (Float only)

● \*Usable either at contact a or contact b.

# Mini-Float Sensor MF

for sensing water levels



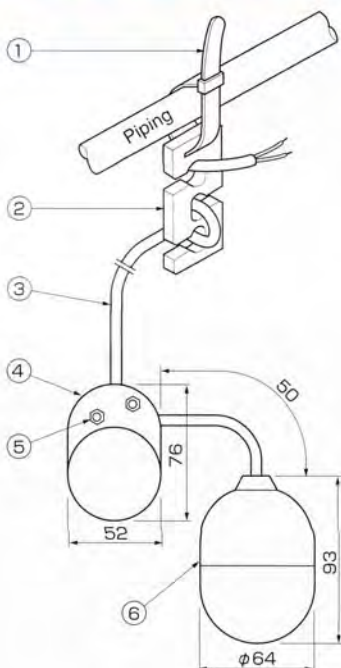
## Features

- Float cut down to the smallest possible size
- Coming in two types; for contact a and contact b
- Ideal for a maximum/minimum water-level alert system
- Two floats usable in case the sensor is connected to the control panel for automatic pump operations

## Applications

- Maximum/minimum water-level warning
- Automatic pumping of water, drainage, etc.

## Outline and specifications (in millimeters)



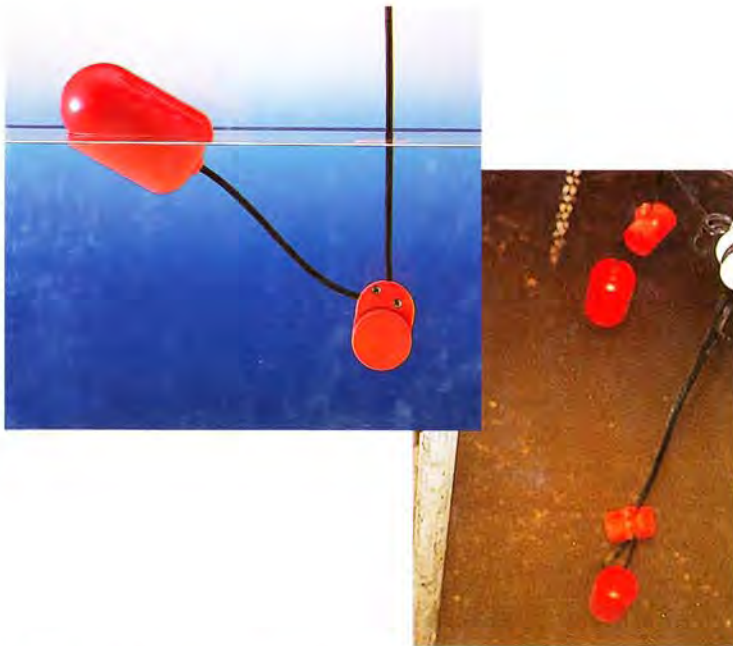
No.	Component name	Material
1	Retaining belt	Nylon
2	Cable clamp	Resin
3	Cable	PVC
4	Intermediate weight	Resin incorporating iron
5	Screw and nut	Stainless steel #304
6	Float	Resin

## Standard specifications

		Model	MF-3	
			MF-3A	MF-3B
Electric characteristics	Breaking capacity	50VA AC		
	Max. current	2A AC		
	Working voltage	30V AC		
Switch	Contact	a (MF-3A)	b (MF-3B)	
	Type	Microswitch		
Mechanical characteristics	Proof pressure (static)	98kPa (1.0 kgf/cm <sup>2</sup> )		
	Working temperature range	0 to 50°C		
Cable	Cores x cross section	2 × 0.3mm <sup>2</sup>		
	Finished outside diameter	5.3mm		
	Standard length	6m		
	Semi-standard length	10, 15, 20, 25, 30m		
Weight	97g(Float only)			

# Snap-Action Float Sensor **RF**

for sensing water levels



## Features

- Detecting upper/lower-limit water levels with single float
- Snap on-off action ensures stable operations in clean water, drainage or liquids containing suspended matter or oil and fat.
- Hanging length readily adjustable with cable clamp

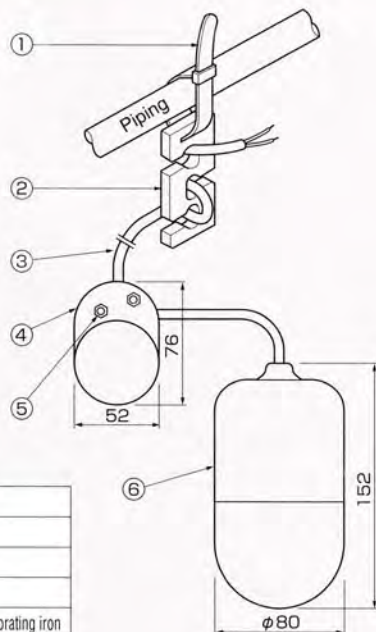
## Applications

- Automatic pumping of water, drainage, etc.
- Suitable for a maximum/minimum water-level alert system

## Standard specifications

		Model	RF-5
Electric characteristics	Breaking capacity	50VA AC	
	Max. current	2A AC	
	Working voltage	30V AC	
Switch	Contact	a	
	Type	Microswitch	
Mechanical characteristics	Proof pressure (static)	98kPa (1.0 kgf/cm <sup>2</sup> )	
	Working temperature range	0 to 50°C	
Level control		Min. 400mm, max. 3,000mm	
Cable	Cores x cross section	2 × 0.5mm <sup>2</sup>	
	Finished outside diameter	6.5mm	
	Standard length	6m	
	Semi-standard length	10, 15, 20, 25, 30m	
Weight		204g (Float only)	

## Outline and specifications (in millimeters)



No.	Component name	Material
1	Retaining belt	Nylon
2	Cable clamp	Resin
3	Cable	PHCT-F
4	Intermediate weight	Resin incorporating iron
5	Screw and nut	Stainless steel #304
6	Float	Resin

We reserve the right to change specifications and designs herein for improvement without prior notice.

**TSURUMI**  
MANUFACTURING CO.,LTD.

**PT. LUKES INDONESIA**

Lindeteves Trade Center Lt UG, Blok B1 No. 6  
Jalan Hayam Wuruk, Jakarta - Indonesia  
Phone : 021 - 6231 7842, 628 5144  
Fax : 021 - 6231 0499  
email : lukes@cbn.net.id

