



Submersible Sand Pumps

HSD/KTV/KRS NKZ/GPN GPT/GSZ-6



Innovations that ensure high durability and superb wear resistance

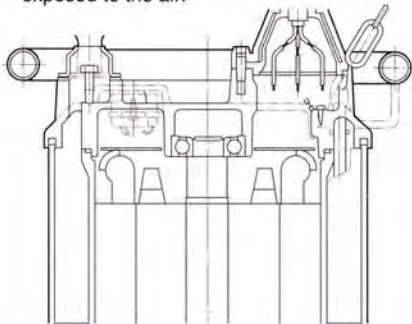
Index

○ Standard equipment △ Prepared to order

Application Type	Submersible pumps						
	Slurry	Slurry(bentonite)		Sand(general construction)			
	Single-Phase All purpose	Foundation works		All purpose	Large capacity	High power	
	HSD	KTV	KRS	NKZ	GSZ-6	GPN	GPT
Discharge bore(mm)	50	50~80	80~150	80~150	200	80~100	100~250
Output(kW)	0.55	2~3	4~9	2.2~11	22~37	5.5~11	11~110
Poles(p)	2	2	4	4	6	4	6~10
Forced motor cooling				○	○	○	
Side-flow mechanism		○	○				
Spiral structure	○			○	○	○	○
Forced agitation	○	○	○	○		○	○
Guide-rail fitting				△		△	

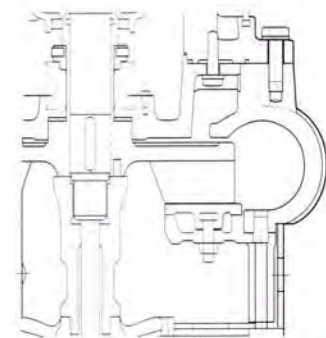
● Forced motor cooling

As illustrated, a part of pumped fluid flows in between the outer cover and the motor housing before being discharged, thus cooling the motor on its way. This forced motor cooling construction assures the pump of long and continuous operations even exposed to the air.



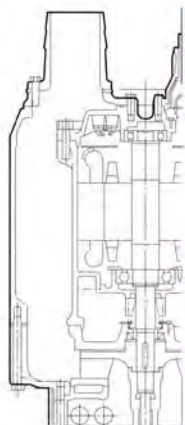
● Spiral structure

The spiral structure marvelously facilitates the passage of sand, sludge, or slime—without clogging.



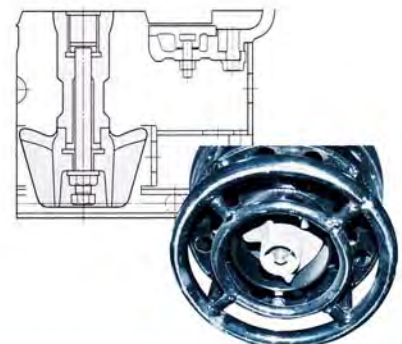
● Side-flow mechanism

The Tsurumi's original side-flow, top-discharge mechanism not only makes the installation in narrow places but also keeps the motor cool even if the pump runs with its' motor exposed in the air.



● Forced agitation

The agitator installed on the motor shaft extension forcibly agitates the fluid for easy and efficient transmission of sludge and slime.



The Series That Orchestrates Tsurumi's Decades of Pump Making Expertise

The shaft seal, motor protection, and cable conductor feature the perfect waterproofness that has been achieved by Tsurumi with its decades of expertise as the specialized pump manufacturer.

●Motor protection

The protection immediately suspends motor operations when it detects an unusually high temperature in the motor windings which may be induced by any abnormality in the pump or in the motor. For motor protection, Tsurumi equips its small and medium-capacity pumps with a circle thermal protector and medium to large-capacity pumps with miniature protectors.



(Circle thermal protector)

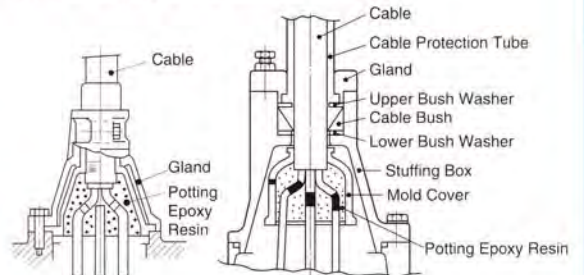


(Miniature protector)



●Waterproof structure of power cable

Cabletyre cable is used for power supply. Integrated structure involving all of the cable from its sheath to conductor perfectly protects the motor from water infiltration which may be caused by damage to the sheath or dipping of the cable in the water.



●Built-in Oil Lifter (except GPN and GPT) Pat. Pending

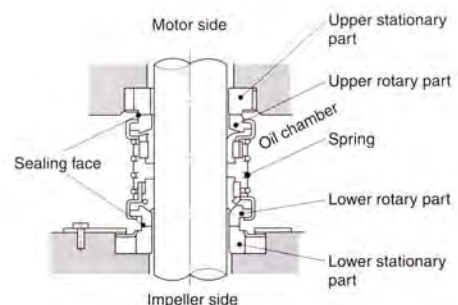
This Oil Lifter was developed to improve quality and reliability of our submersible pump by enhancing sealing performance of the mechanical seal.

- *The Oil Lifter is a lubrication device for the mechanical seal that is the heart of the submersible pump.
- *The Oil Lifter stabilizes and enhances mechanical seal lubrication and cooling effect.
- *Offers stable sealing performances even if the oil level drops. Facilitates periodic inspection.

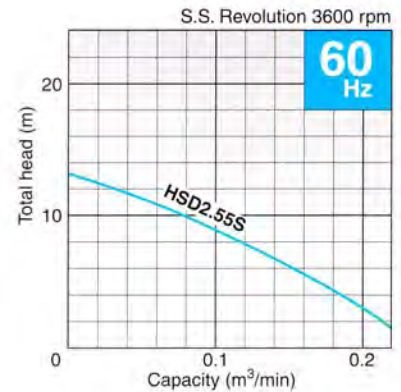
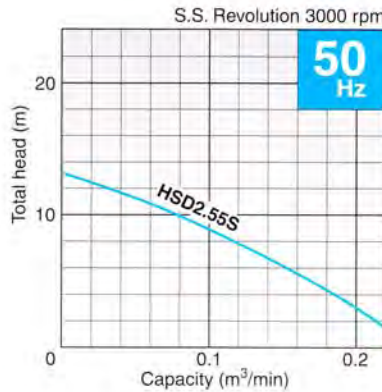


●SiC seal

The interaction between a rotary ring and a fixed ring completely seals the turning shaft sealing portion. Such a mechanical seal assumes a critical role for submersible pumps by withstanding pumping pressure and preventing water infiltration into the motor. Tsurumi pumps use either a double mechanical seal or the combination of a mechanical seal and an oil seal to prevent water from invading the motor. Tsurumi mechanical seals contain high percentages of silicon carbide (SiC). The SiC mechanical seal has a fairly long lifetime because SiC is harder than cemented carbide. SiC also adequately withstands temperature fluctuation and has high corrosion resistance and good lubrication.



Performance Curves



Major Standard Specifications

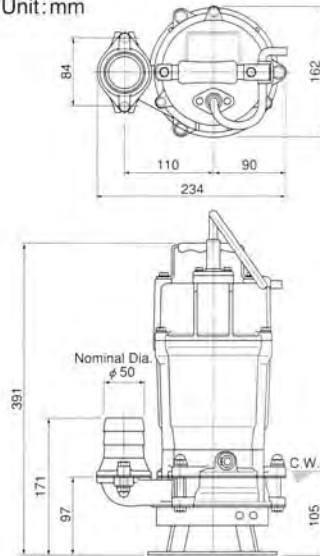
Item		Discharge bore size mm	50	
Pumping fluid	Type of fluid	Sludge, slurry, liquids containing sand and mud		
	Liquid temperature	0~40°C		
Pump	Components	Impeller	Semi Vortex type	
		Shaft seal	Double mechanical seal	
		Bearing	Shielded ball bearing	
		Impeller	Chromium iron casting	
Materials	Casing	Ductile iron casting		
	Shaft seal (mechanical seal)	Silicon carbide		
Motor	Type, Poles	Dry-type submersible induction motor, 2 poles		
	Insulation	Class E		
	Phase / Voltage	Single-phase/ 110V,220V,230V,240V		
	Motor protector (Built-in)	Circle thermal protector		
	Lubricant	Turbine oil(ISO VG32)		
	Materials	Frame	Aluminum alloy casting	
		Shaft	Stainless steel #403	
Cable		PVC sheath		
Discharge connection		Hose coupling		

Specifications 50/60Hz

Discharge Bore mm	Model	Motor Output kW	Phase	Total Head m	Capacity m³/min	Starting Method	Dry Weight kgs	Length of Cabtyre Cable m
50	HSD2.55S	0.55	Single-phase	9	0.1	Capacitor Run	15	5

*Dry weight of the pump excluding cable.

Dimensions Unit: mm



C.W.L. : Continuous Running Water Level

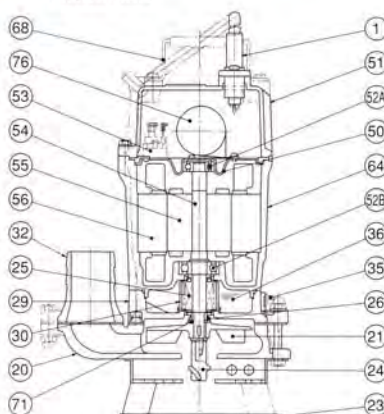
Standard Accessories

- Cabtyre cable 1pc
- Hose coupling 1pc
- Hose band 1pc



Cross-sectional Construction Drawing

HSD2.55S

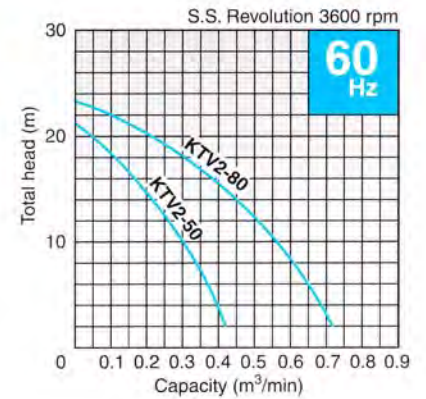
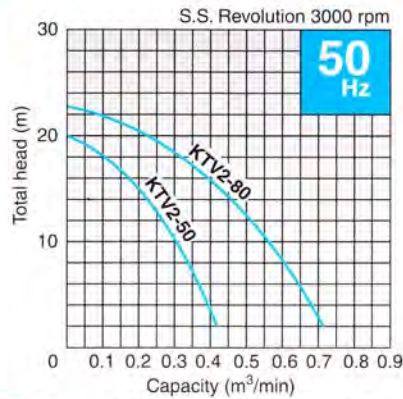


NO.	DESCRIPTIONS	NO.	DESCRIPTIONS
1	Cabtyre Cable	50	Motor Bracket
20	Pump Casing	51	Motor Head Cover
21	Impeller	52A	Upper Bearing
23	Strainer Stand	52B	Lower Bearing
24	Stirrer	53	Motor Protector
25	Mechanical Seal	54	Shaft
26	V-ring	55	Rotor
29	Oil Casing	56	Stator
30	Oil Lifter	64	Motor Frame
32	Hose Coupling	68	Handle
35	Oil Plug	71	Shaft Sleeve
36	Lubricant	76	Capacitor

A powerful slurry pump series using KTV pumps as a base. Features high wear resistance and durability and extra light weight.

KTV

Performance Curves



Specifications 50/60Hz

Discharge Bore mm	Model	Motor Output kW	Phase	Total Head m	Capacity m ³ /min	Starting Method	Dry Weight kgs	Length of Cabtyre Cable m
50	KTV2-50	2	Three-phase	12	0.25	D.O.L.	24.5	8
80	KTV2-80	3	Three-phase	12	0.50	D.O.L.	37.5	8

•Dry weight of the pump excluding cable.

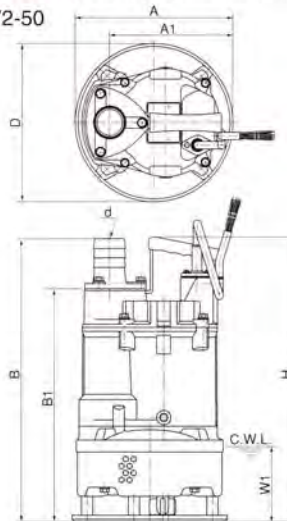
Major Standard Specifications

Item	Discharge bore size mm		
	50	80	
Pumping fluid	Type of fluid	Sludge, slurry, liquid containing mud	
	Liquid temperature	0~40°C	
Pump	Components	Impeller	Semi Vortex type
		Shaft seal	Double mechanical seal
	Materials	Bearing	Shielded ball bearing
		Impeller	Chromium iron casting
Casing		Synthetic rubber (with casing retainer)	
	Shaft seal (mechanical seal)	Silicon carbide	
Motor	Type, Poles	Dry-type submersible induction motor, 2 poles	
	Insulation	Class E	
	Phase / Voltage	Three-phase/ 220V, 380V, 400V, 415V, 440V, 460V	
	Motor protector (Built-in)	Circle thermal protector	
	Lubricant	Turbine oil (ISO VG32)	
	Materials	Frame	Aluminium alloy casting
		Shaft	Stainless steel #403
Cable	PVC sheath, Chloroprene sheath		
Discharge connection	Hose coupling		

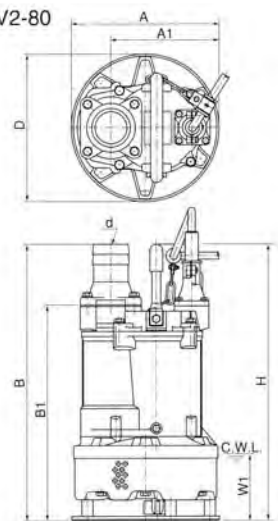
Dimensions

Unit: mm

KTV2-50



KTV2-80



C.W.L.: Continuous Running Water Level

Model	d	A	A1	B	B1	D	H	W1
KTV2-50	50	250	192	450	368	250	454	120
KTV2-80	80	295	216	550	427	295	550	130

•Very lightweight models for general construction drainage are also available under this series in bores from 50 to 100 mm. For details please see Catalog IB102 sent upon request.

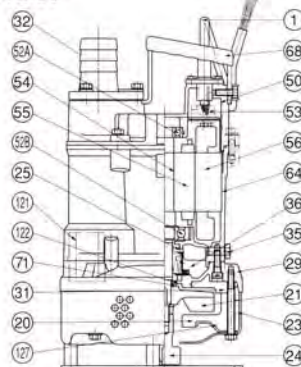
Standard Accessories

- Cabtyre cable 1pc
- Hose coupling 1pc



Cross-sectional Construction Drawing

KTV2-80

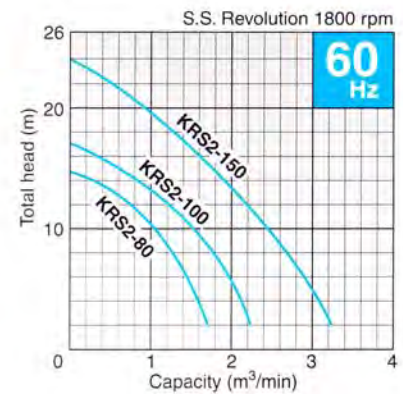
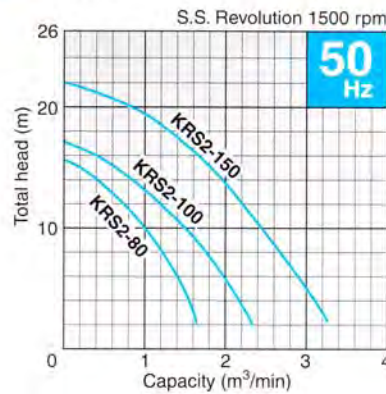


NO.	DESCRIPTIONS	NO.	DESCRIPTIONS
1	Cabtyre Cable	52A	Upper Bearing
20	Pump Casing	52B	Lower Bearing
21	Impeller	53	Motor Protector
23	Strainer Stand	54	Shaft
24	Forced agitation	55	Rotor
25	Mechanical Seal	56	Stator
29	Oil Casing	64	Motor Frame
31	Wearing Plate	68	Handle
32	Hose Coupling	71	Shaft Sleeve
35	Oil Plug	121	Duct Sleeve
36	Lubricant	122	V-ring
50	Motor Bracket	127	Fittings

•Oil Lifter is not illustrated.



Performance Curves



Specifications 50/60Hz

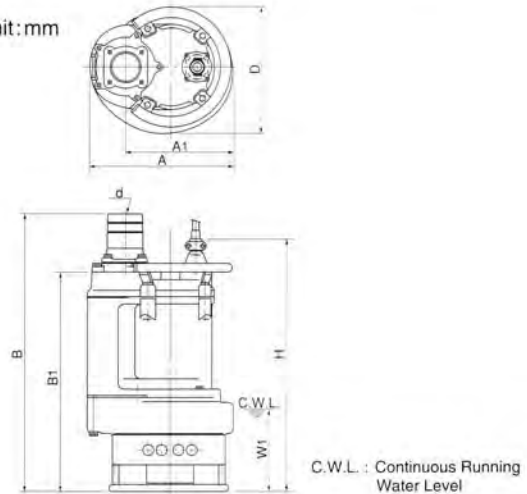
Discharge Bore mm	Model	Motor Output kW	Phase	Total Head m	Capacity m³/min	Starting Method	Dry Weight kgs	Length of Cable m
80	KRS2-80	4	Three-phase	10	1.0	D.O.L.	105	8
100	KRS2-100	6	Three-phase	10	1.5	D.O.L.	145	8
150	KRS2-150	9	Three-phase	15/8	1.8/2.5	D.O.L.	170/162	8

*Dry weight of the pump excluding cable.

Major Standard Specifications

Item	Discharge bore size mm			
	80	100	150	
Pumping fluid	Type of fluid	Sludge, slurry, liquids containing sandy mud and/or bentonite		
	Liquid temperature	0~40°C		
Pump	Components	Impeller	Open type	
		Shaft seal	Double mechanical seal	
		Bearing	Shielded ball bearing	
	Materials	Impeller	Chromium iron casting	
		Casing	Grey iron casting	
Suction plate	Chromium iron casting			
Motor	Type, Poles	Dry-type submersible induction motor, 4 poles		
	Insulation	Class E · B		
	Phase / Voltage	Three-phase/ 220V, 380V, 400V, 415V, 440V, 460V		
	Motor protector (Built-in)	Circle thermal protector		
	Lubricant	Turbine oil (ISO VG32)		
	Materials	Frame	Grey iron casting	
		Shaft	Stainless steel #420	
Cable		Chloroprene sheath		
Discharge connection	Hose coupling			

Dimensions Unit: mm



Model	d	A	A1	B	B1	D	H	W1
KRS2-80	80	350	260	786	666	326	766	250
KRS2-100	100	415	305	815	678	373	754	250
KRS2-150 50Hz	150	434	324	879	699	407	811	250
KRS2-150 60Hz	150	415	305	879	699	373	811	250

*Four-pole KRS pumps designed for general construction pumping jobs may come in any bore between 80 to 350mm. For details please see Catalog IB102 sent upon request.

Standard Accessories

- Cabtyre cable 1pc
- Hose coupling 1pc



Cross-sectional Construction Drawing

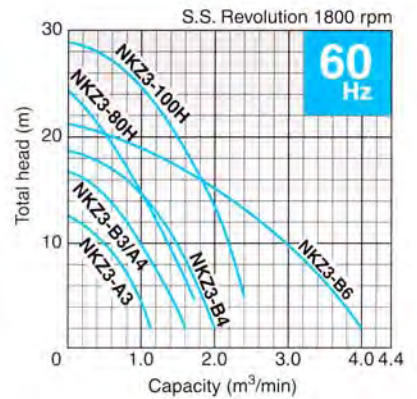
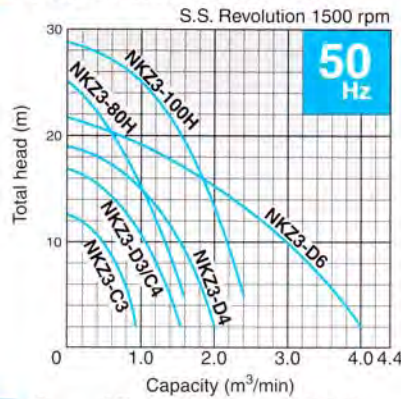
NO.	DESCRIPTIONS	NO.	DESCRIPTIONS
1	Cabtyre Cable	36	Lubricant
6	Stuffing Box	50	Motor Bracket
20	Pump Casing	52A	Upper Bearing
21	Impeller	52B	Lower Bearing
22	Suction Cover	53	Motor Protector
23	Strainer Stand	54	Shaft
24	Forced agitation	55	Rotor
25	Mechanical Seal	56	Stator
26	Oil Seal	60	Bearing Housing
32	Hose Coupling	64	Motor Frame
33	Suction Plate	68	Handle
35	Oil Plug	71	Shaft Sleeve

*Oil Lifter is not illustrated.

All pumps in this series provide very smooth passage of sandy earth and slime. A forcibly cooled motor ensures long and continuous pump operations exposed to the air.



Performance Curves



Specifications 50/60Hz

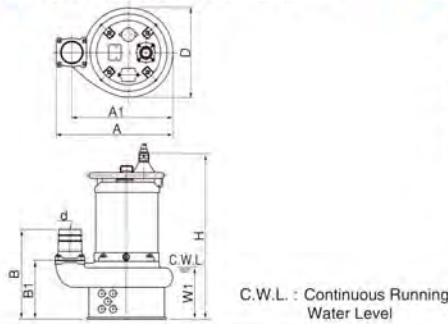
Discharge Bore mm	Model	Motor Output kW	Phase	Total Head m	Capacity m³/min	Starting Method	Dry Weight kgs	Length of Cabtyre Cable m
80	NKZ3-C3/A3	2.2	Three-phase	10	0.50	D.O.L.	91	8
80	NKZ3-D3/B3	3.7	Three-phase	15	0.50	D.O.L.	100	8
80	NKZ3-80H	5.5	Three-phase	20	0.55	D.O.L.	114	8
100	NKZ3-C4/A4	3.7	Three-phase	10	1.00	D.O.L.	97	8
100	NKZ3-D4/B4	5.5	Three-phase	15	1.00	D.O.L.	114	8
100	NKZ3-100H	11	Three-phase	25	1.00	D.O.L.	192	8
150	NKZ3-D6/B6	11	Three-phase	15	2.00	D.O.L.	192	8

•Dry weight of the pump excluding cable.

Major Standard Specifications

Item	Discharge bore size mm			
	80	100	150	
Pumping fluid	Type of fluid	Sludge, various types of slurry, liquid containing sandy mud		
	Liquid temperature	0~40°C		
Pump	Components	Impeller	Open type	
		Shaft seal	Double mechanical seal	
		Bearing	Shielded ball bearing	
	Materials	Impeller	Ductile iron casting	
		Casing	Grey iron casting	
		Suction cover	Grey iron casting Ductile iron casting (H type)	
Shaft seal (mechanical seal)	Silicon carbide			
Motor	Type, Poles	Dry-type submersible induction motor, 4 poles		
	Insulation	Class E · B		
	Phase / Voltage	Three-phase/ 220V, 380V, 400V, 415V, 440V, 460V		
	Motor protector (Built-in)	Circle thermal protector		
	Lubricant	Turbine oil (ISO VG32)		
	Materials	Frame	Grey iron casting	
		Shaft	Stainless steel #420	
Cable		Chloroprene sheath		
Discharge connection	Hose coupling			

Dimensions Unit: mm



Model	d	A	A1	B	B1	D	H	W1
NKZ3-C3/A3	80	467	405	371	249	370	664	225
NKZ3-D3/B3	80	467	405	371	249	370	709	225
NKZ3-80H	80	491	430	387	264	401	754	220
NKZ3-C4/A4	100	467	405	386	249	370	709	225
NKZ3-D4/B4	100	485	424	382	245	380	715	220
NKZ3-100H	100	547	486	422	284	414	841	240
NKZ3-D6/B6	150	620	520	458	266	450	798	240

Specific installation

(Please call or write your nearest Tsurumi agent.)

Guide-rail fitting

Simplifies connection/disconnection between pump and piping. Eliminates the depressive maintenance work down in the pit.

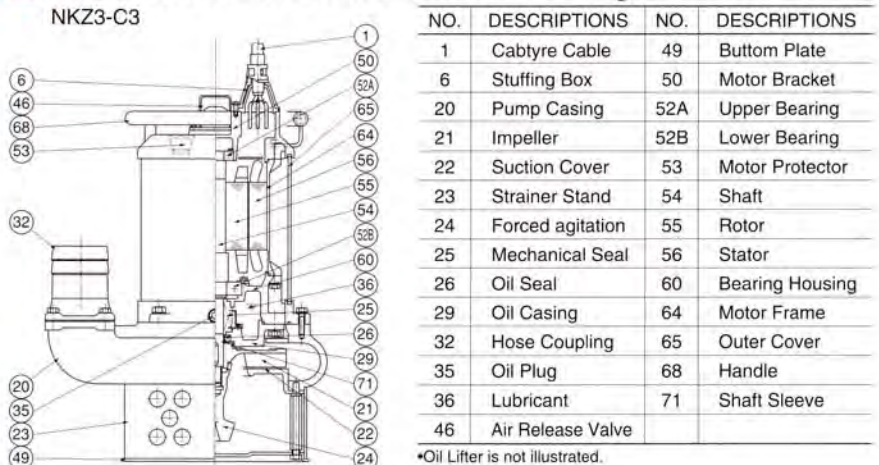


Standard Accessories

- Cabtyre cable 1pc
- Hose coupling 1pc



Cross-sectional Construction Drawing

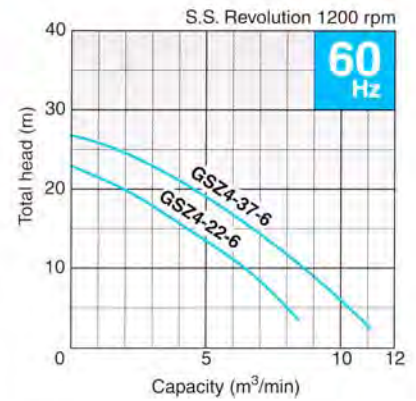
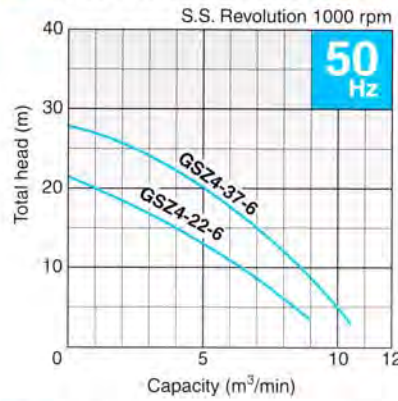


GSZ-6

This powerful large-capacity pump series features a special-steel impeller and a 6-pole motor.



Performance Curves



Specifications 50/60Hz

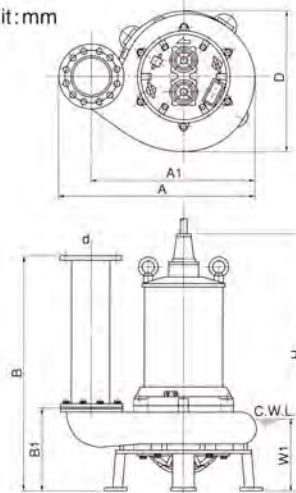
Discharge Bore mm	Model	Motor Output kW	Phase	Total Head m	Capacity m³/min	Starting Method	Dry Weight kgs	Length of Cabtyre Cable m
200	GSZ4-22-6	22	Three-phase	15	4.0	D.O.L.	750	10
200	GSZ4-37-6	37	Three-phase	20	5.0/4.5	Star-Delta	850	10

*Dry weight of the pump excluding cable.

Major Standard Specifications

Item	Discharge bore size mm	200	
Pumping fluid	Type of fluid	Sludge, various types of slurry, liquid containing sandy mud	
	Liquid temperature	0~40°C	
Pump	Components	Impeller	Open type
		Shaft seal	Double mechanical seal
		Bearing	Shielded ball bearing
	Materials	Impeller	Chromium iron casting
		Casing	Grey iron casting
Shaft seal (mechanical seal)	Silicon carbide		
Motor	Type, Poles	Dry-type submersible induction motor, 6 poles	
	Insulation	Class F	
	Phase / Voltage	Three-phase/ 220V, 380V, 400V, 415V, 440V, 460V	
	Motor protector (Built-in)	Miniature protector	
	Lubricant	Turbine oil (ISO VG32)	
	Materials	Frame	Grey iron casting
		Shaft	Stainless steel #420
Cable		Chloroprene sheath	
Discharge connection	JIS10K Flange		

Dimensions Unit: mm



C.W.L. : Continuous Running Water Level

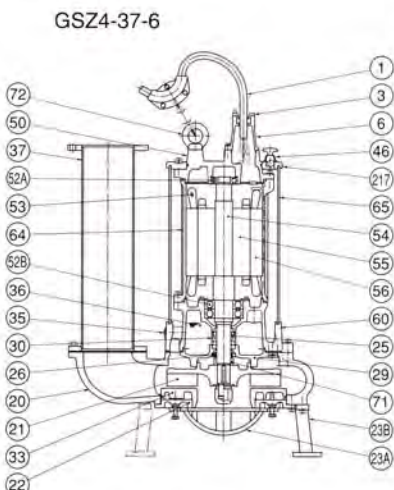
Model	d	A	A1	B	B1	D	H	W1
GSZ4-22-6	200	965	800	1202	474	720	1393	350
GSZ4-37-6	200	1047	882	1283	430	804	1416	370

*A GSZ-4 series akin to the large-capacity GSZ-6 pumps, is available for general construction draining purposes.

Standard Accessories

- Cabtyre cable 1pc
(3 pcs for 37 kW)
- Discharge pipe(JIS10K Flange) 1pc

Cross-sectional Construction Drawing



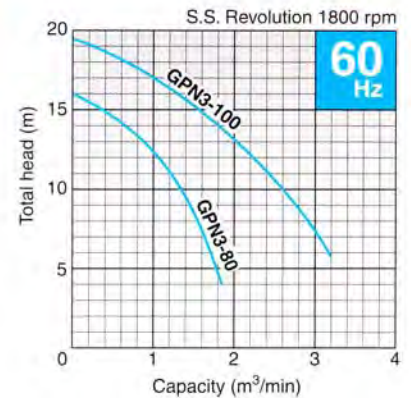
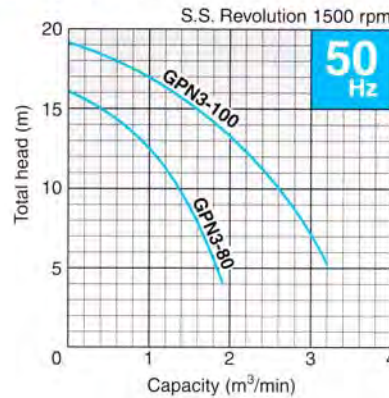
NO.	DESCRIPTIONS	NO.	DESCRIPTIONS
1	Cabtyre Cable	37	Discharge Pipe
3	Gland	46	Air Release Valve
6	Stuffing Box	50	Motor Bracket
20	Pump Casing	52A	Upper Bearing
21	Impeller	52B	Lower Bearing
22	Suction Cover	53	Motor Protector
23A	Strainer	54	Shaft
23B	Stand	55	Rotor
25	Mechanical Seal	56	Stator
26	Oil Seal	60	Bearing Housing
29	Oil Casing	64	Motor Frame
30	Oil Lifter	65	Outer Cover
33	Suction Plate	71	Shaft Sleeve
35	Oil Plug	72	Eye Bolt
36	Lubricant	217	Fixing Plate

A special-steel impeller and suction plate have greatly increased the pump's life.

GPN



Performance Curves



Specifications 50/60Hz

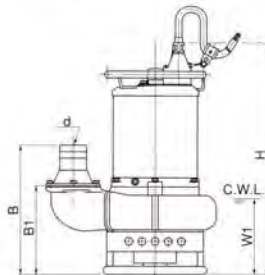
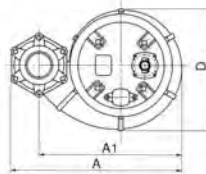
Discharge Bore mm	Model	Motor Output kW	Phase	Total Head m	Capacity m³/min	Starting Method	Dry Weight kgs	Length of Cabtyre Cable m
80	GPN3-80	5.5	Three-phase	12	1.1	D.O.L.	145	8
100	GPN3-100	11	Three-phase	15	1.6	D.O.L.	220	8

•Dry weight of the pump excluding cable.

Major Standard Specifications

Item	Discharge bore size mm		
	80	100	
Pumping fluid	Type of fluid	Sludge, various types of slurry, liquid containing sandy mud	
	Liquid temperature	0-40°C	
Pump	Components	Impeller: Open type Shaft seal: Mechanical seal Bearing: Shielded ball bearing	
	Materials	Impeller: Chromium iron casting Casing: Grey iron casting Suction plate: Chromium iron casting	
		Shaft seal (mechanical seal)	Silicon carbide
		Motor	Type, Poles: Dry-type submersible induction motor, 4 poles Insulation: Class E · B Phase / Voltage: Three-phase / 220V, 380V, 400V, 415V, 440V, 460V Motor protector (Built-in): Circle thermal protector Lubricant: Turbine oil (ISO VG32) Frame: Grey iron casting
Motor	Materials	Shaft: Chromium molybdenum steel Cable: Chloroprene sheath	
	Discharge connection	Hose coupling	

Dimensions Unit: mm



C.W.L.: Continuous Running Water Level

Model	d	A	A1	B	B1	D	H	W1
GPN3-80	80	487	426	429	307	390	777	270
GPN3-100	100	617	517	481	328	450	860	295

Specific installation

(Please call or write your nearest Tsurumi agent.)

Guide-rail fitting

Simplifies connection/disconnection between pump and piping. Eliminates the depressive maintenance work down in the pit.



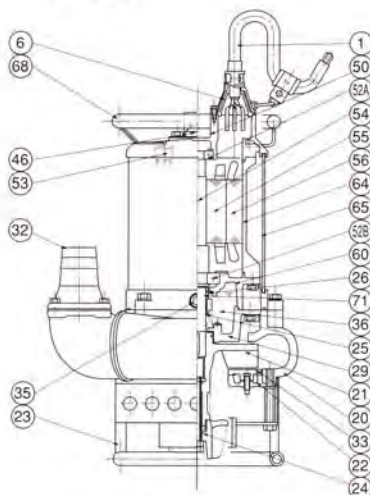
Standard Accessories

- Cabtyre cable 1pc
- Hose coupling 1pc



Cross-sectional Construction Drawing

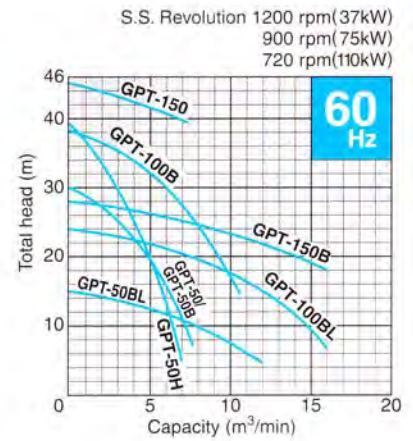
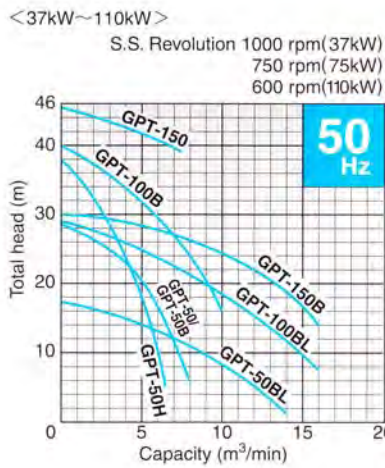
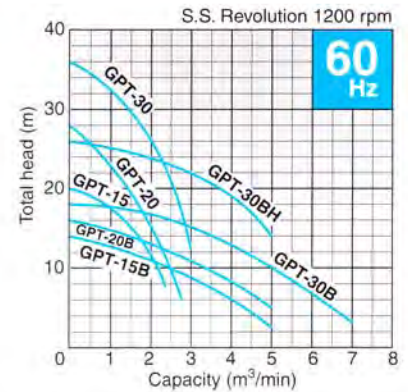
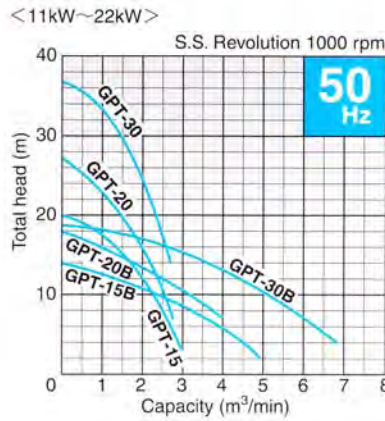
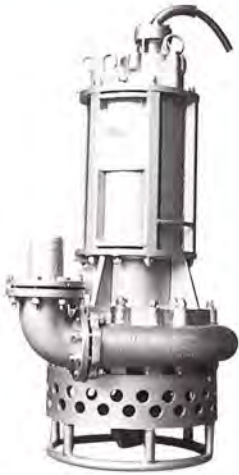
GPN3-80



NO.	DESCRIPTIONS	NO.	DESCRIPTIONS
1	Cabtyre Cable	46	Air Release Valve
6	Stuffing Box	50	Motor Bracket
20	Pump Casing	52A	Upper Bearing
21	Impeller	52B	Lower Bearing
22	Suction Cover	53	Motor Protector
23	Strainer Stand	54	Shaft
24	Forced agitation	55	Rotor
25	Mechanical Seal	56	Stator
26	Oil Seal	60	Bearing Housing
29	Oil Casing	64	Motor Frame
32	Hose Coupling	65	Outer Cover
33	Suction Plate	68	Handle
35	Oil Plug	71	Shaft Sleeve
36	Lubricant		

•Oil Lifter is not installed.

Performance Curves



Major Standard Specifications

Item	Discharge bore size mm		
	100	150/200/250	
Pumping fluid	Type of fluid	Various types of sludge or slurry, solid containing liquids	
	Liquid temperature	0~40°C	
Pump	Components	Impeller	Closed type
		Shaft seal	Oil seal
	Materials	Bearing	Ball bearing·Roller bearing
		Impeller	Chromium iron casting
		Casing	Ductile iron casting
Suction plate	Chromium iron casting		
Motor	Type, Poles	Dry-type submersible induction motor, 6·8 and 10poles	
	Insulation	Class B	
	Phase / Voltage	Three-phase/ 220V,380V,400V,415V, 440V,460V	
	Lubricant	Turbine oil(ISO VG32)	
	Materials	Frame	Structure steel
		Shaft	Chromium molybdenum steel
Cable		Chloroprene sheath	
Discharge connection	Hose coupling		

Specifications 50/60Hz

Discharge Bore mm	Model	Motor Output kW	Phase	Total Head m	Capacity m³/min	Starting Method	Dry Weight kgs	Length of Cable m
100	GPT-15	11	Three-phase	15	1.5	D.O.L.	470	10
100	GPT-20	15	Three-phase	20	1.5	D.O.L.	550	10
100	GPT-30	22	Three-phase	30	1.5	D.O.L.	750	10
150	GPT-15B	11	Three-phase	8	3.2	D.O.L.	510	10
150	GPT-20B	15	Three-phase	10	3.2	D.O.L.	540	10
150	GPT-30B	22	Three-phase	15	3.2	D.O.L.	730	10
150	GPT-30BH 60Hz	22	Three-phase	20	3.2	D.O.L.	730	10
150	GPT-50	37	Three-phase	25	3.2	D.O.L.	950	10
150	GPT-50H	37	Three-phase	28	3.2	D.O.L.	1050/950	10
200	GPT-50B	37	Three-phase	15	6.0	D.O.L.	970	10
200	GPT-100B	75	Three-phase	30	6.0	D.O.L.	2300	10
200	GPT-150	110	Three-phase	40	6.5	D.O.L.	3500	40
250	GPT-50BL	37	Three-phase	5	12.0	D.O.L.	1150	10
250	GPT-100BL	75	Three-phase	15	12.0	D.O.L.	2700	10
250	GPT-150B	110	Three-phase	22	12.0	D.O.L.	3500	40

*Dry weight of the pump excluding cable.

Standard Accessories

- Cabtyre cable 1pc
- Hose coupling 1pc

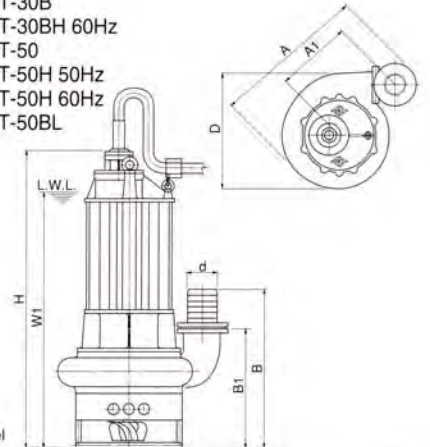


■ Dimensions Unit: mm

GPT-15
GPT-15B
GPT-20
GPT-20B



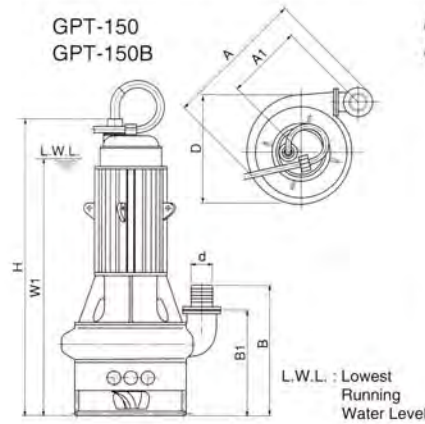
GPT-30
GPT-30B
GPT-30BH 60Hz
GPT-50
GPT-50H 50Hz
GPT-50H 60Hz
GPT-50BL



L.W.L. : Lowest Running Water Level

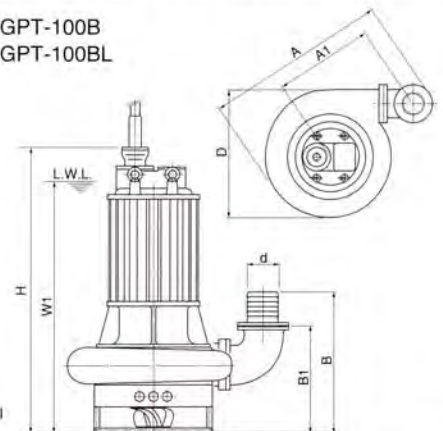
Model	d	A	A1	B	B1	D	H	W2
GPT-15	100	750	383	643	500	543	1295	1100
GPT-20	100	825	420	638	495	622	1310	1100
GPT-30	100	910	462	658	515	703	1390	1200
GPT-15B	150	840	419	763	560	592	1295	1100
GPT-20B	150	840	419	763	560	592	1310	1100
GPT-30B	150	955	477	783	580	705	1390	1200
GPT-30B 60Hz	150	955	477	783	580	705	1390	1200
GPT-50	150	1020	512	838	635	760	1575	1350
GPT-50H 50Hz	150	1095	565	853	650	801	1580	1350
GPT-50H 60Hz	150	1020	512	838	635	760	1575	1350
GPT-50B	200	1065	535	878	655	760	1575	1350
GPT-50BL	250	1350	711	1015.5	762.5	900	1650	1450

GPT-150
GPT-150B



L.W.L. : Lowest Running Water Level

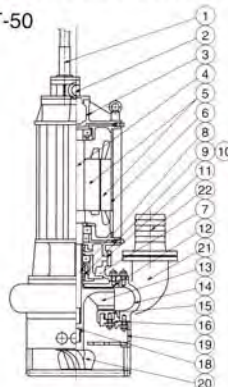
GPT-100B
GPT-100BL



Model	d	A	A1	B	B1	D	H	W2
GPT-100B	200	1570	849	918	695	1133	1875	1650
GPT-150	200	1610	837	1163	940	1241	2734	2300
GPT-100BL	250	1645	853	1093.5	840.5	1224	2058	1850
GPT-150B	250	1695	896	1223	970	1232	2794	2400

■ Cross-sectional Construction Drawing

GPT-50



NO.	DESCRIPTIONS	NO.	DESCRIPTIONS
1	Cable	12	Delivery Cover
2	Reed Outlet Cover	13	Impeller
3	Upper Cover	14	Casing
4	Shaft	15	Suction Plate
5	Rotor · Stator	16	Suction Cover
6	Motor Case	18	Transmission axis
7	Lower Cover	19	Strainer
8	Sleeve	20	Forced agitation
9	Oil Seal	21	Bend
10	Rarefion Seal	22	Hose Coupling
11	Oil Feed Cover		

Submersible Dewatering Pumps

Typical Tsurumi Pumps with All Functions Most Needed in the Field

GSZ-4

Equipped with a 4-pole motor, the pumps in this series display their true virtues where a massive amount of water must be drained in a very short period of time.



Discharge Bore 150~250mm
Motor Output 37~75kW
Total Head 35~45m
Capacity 2.0~6.0m³/min

KTZ

The head level can be altered by changing impellers.



Discharge Bore 50~150mm
Motor Output 1.5~11kW
Total Head 8~35m
Capacity 0.2~1.7m³/min

KRS

Tsurumi's typical multipurpose pumps using a 4-pole motor.



Discharge Bore 80~250mm
Motor Output 2.2~22kW
Total Head 10~30m
Capacity 0.5~8.0m³/min

We reserve the right to change specifications and designs herein for improvement without prior notice.

TSURUMI
MANUFACTURING CO.,LTD.

PT. LUKES INDONESIA

Lindeteves Trade Center Lt UG, Blok B1 No. 6
Jalan Hayam Wuruk, Jakarta - Indonesia
Phone : 021 - 6231 7842, 628 5144
Fax : 021 - 6231 0499
email : lukes@cbn.net.id

